

SAI-4-S 5P CNOMO**Weidmüller Interface GmbH & Co. KG**

Klingenbergstraße 16

D-32758 Detmold

Germany

Fon: +49 5231 14-0

Fax: +49 5231 14-292083

www.weidmueller.com



Whereas the standard M12 system requires the sleeves to be laboriously screwed on and that operation is hindered by the vibration guard, M12 Push-Pull works with one click, just like those well-known garden hose systems. The audible locking function guarantees a safe and reliable connection as well as a good seal. The new SAI M12 Push-Pull distributors can be used with M12 plug-in connectors but also with the new M12 Push-Pull plug-in connectors.

General ordering data

Type	SAI-4-S 5P CNOMO
Order No.	1861540000
Version	Sensor-actuator passive distributor, Push-Pull, M12, with M23 outlet, Yes
GTIN (EAN)	4032248421824
Qty.	1 pc(s).

SAI-4-S 5P CNOMO

Weidmüller Interface GmbH & Co. KG
 Klingenbergstraße 16
 D-32758 Detmold
 Germany
 Fon: +49 5231 14-0
 Fax: +49 5231 14-292083
 www.weidmueller.com

Technische Daten

Dimensions and weights

Width	54 mm	Height	26 mm
Net weight	182 g		

General data

Number of contact sockets	4	Fire behaviour	V-0
Contact tube diameter	M12	No. of poles	5
Pollution severity	3	Distributor outlet	with M23 outlet
Insulation resistance	10 ⁹ Ω	Rated voltage , max.	50 V
Rated voltage , min.	10 V	Electrical isolation available	No
Test voltage	1 kV	Current per signal	2 A
Total current	12 A	Max. current-carrying capacity per slot	4 A
Housing main material	PA 6 GF	Housing colour	grey, RAL 7032
Screw socket	CuZn, nickel-plated	Contact material	CuZn
Contact surface	Gold-plated	Contact carrier material	PBT (UL 94 V0)
Sheathing stripping length	100 mm	Conductor O.D.	-
Suitable for cable carriers	Yes	LED initiator	Yes
LED	Yes	LED colour for indicating operation	green
LED colour for I/O function	yellow		

Classifications

ETIM 3.0	EC001856	UNSPSC	30-21-18-01
eClass 6.2	27-06-91-90	eClass 7.1	27-06-91-90

Approvals

Approvals



ROHS

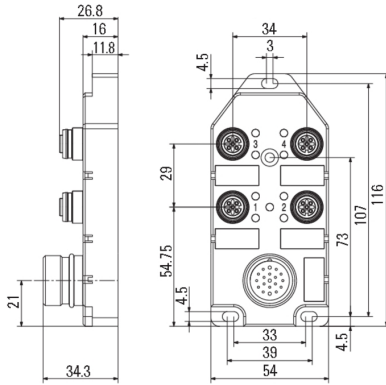
Conform

SAI-4-S 5P CNOMO

Weidmüller Interface GmbH & Co. KG
 Klingenbergstraße 16
 D-32758 Detmold
 Germany
 Fon: +49 5231 14-0
 Fax: +49 5231 14-292083
 www.weidmueller.com

Zeichnungen

Dimensioned drawing



Circuit diagram

