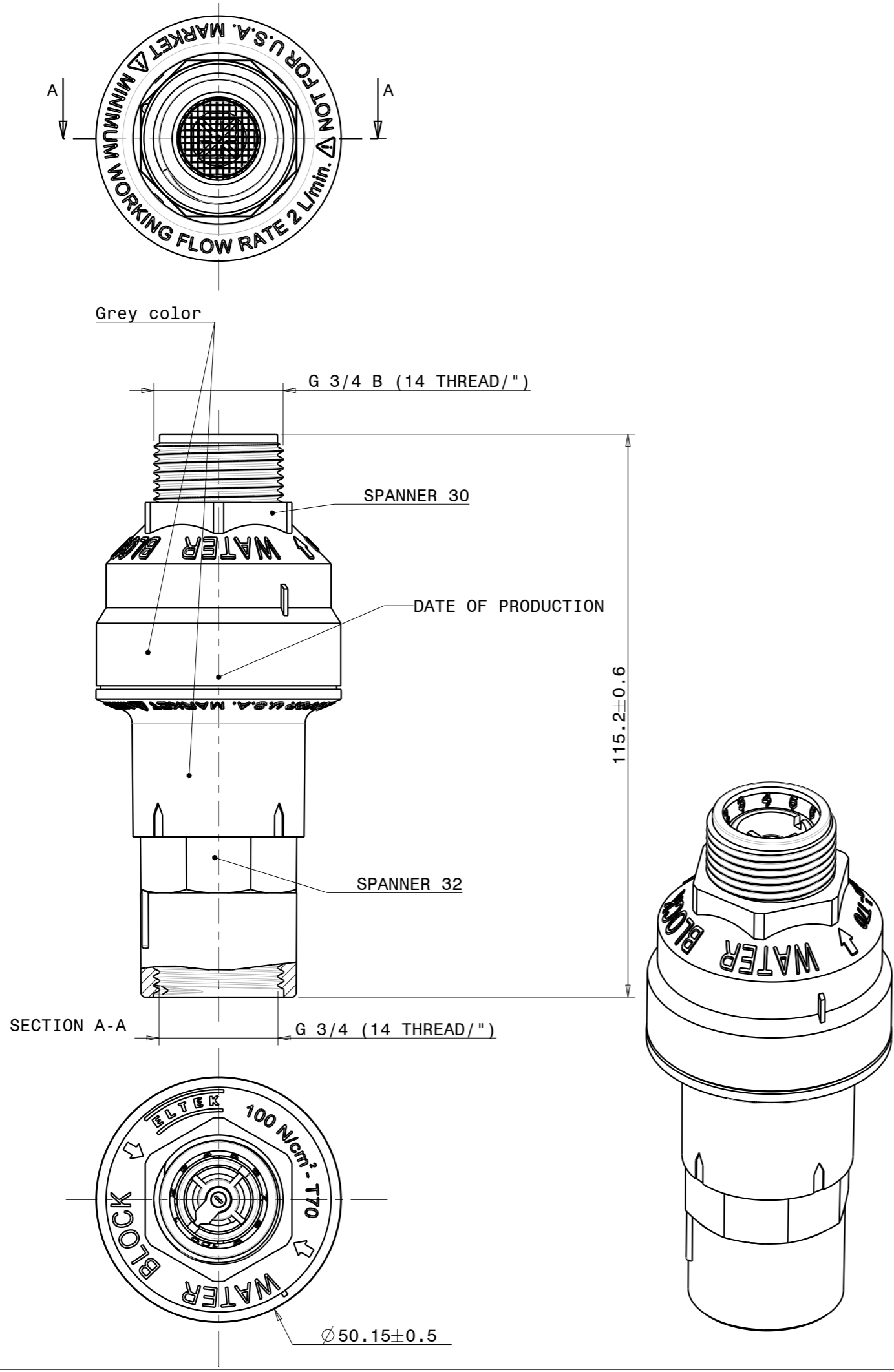


Il fornitore e' tenuto a richiedere le prescrizioni riguardanti la simbologia sulle dimensioni \bullet , \circ e copia della specifica accettazione materiali n. 83.0117.00. Il simbolo \diamond si riferisce alle zone/quote modificate. The supplier is obliged to request the prescription regarding symbols on the dimensions \bullet , \circ and a copy of the specification concerning materials acceptance n. 83.0117.00. The symbol \diamond refers to modified area/dimensions.

Questo documento e le informazioni in esso contenute sono di proprieta' ELTEK SpA e devono considerarsi di natura riservata. Pertanto ne e' vietato qualsiasi tipo di utilizzo non preventivamente autorizzato da ELTEK SpA. This document and the information in it contained are property of ELTEK SpA and, as such, they are to be considered reserved. Therefore, any reproduction in any form or by any means, without prior written permission of ELTEK SpA, is forbidden.

General tolerances	120+	180	± 0.27
	80+	120	± 0.23
	50+	80	± 0.19
	30+	50	± 0.16
	18+	30	± 0.13
	< 18		± 0.10
Angles	$\pm 2^\circ$		



TECHNICAL FEATURES	
BURSTING PRESSURE	500 N/cm ²
OPERATING CAPACITY	2 ÷ 30 litres/minute
EXTERNAL VOLUMES SETTING	5 ÷ 50 litres 0/-20%
FLUID TEMPERATURE ON CONTINUOUS SERVICE	70° C
MINIMUM WORKING FLOW RATE	2 litres/minute

For the technical data to the technical specification code 82.0041.00

Rev	Modification Description	Date	By	Weight [g]:	72.5
Drawing Size	First angle projection	Material	Replace		
A3		Colour	Code		
		Description	10.1179.00.00		
ELTEK S.p.A. - Casale Monf. ITALY		WATER BLOCK with limescale inhibitor			