

Shuttle valve

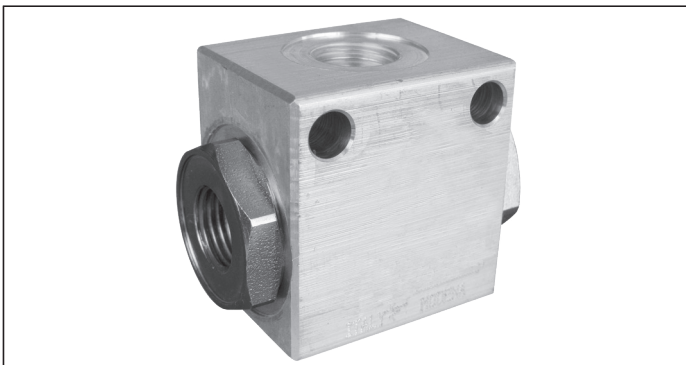
VFC

05.99.05.00 - Y

RE 18309-98

Edition: 03.2016

Replaces: 04.2010



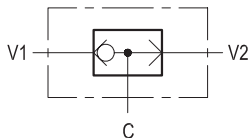
Description

Single ball shuttle valve with 3 ports for in-line plumbing: when the ports V1 and V2 are connected to 2 work lines, the valve delivers the highest of the 2 pressures to the common port C. The single ball allows for the decay of the pressure signal when both work ports drop to a lower pressure level.

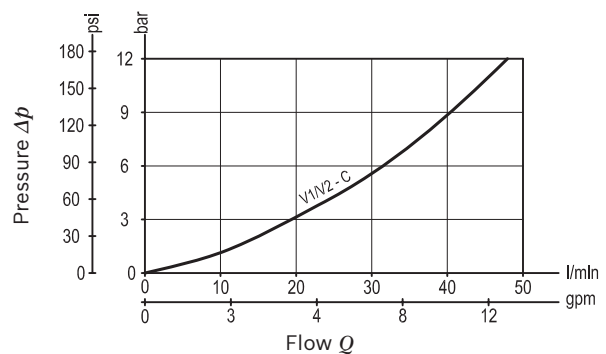
Technical data

Operating pressure	up to 210 bar (3000 psi)
Max. flow	50 l/min. (13 gpm)
Weight	0.17 kg (0.38 lbs)
Manifold material	Aluminium
Note: aluminium bodies are often strong enough for operating pressures exceeding 210 bar (3000 psi), depending from the fatigue life expected in the specific application. If in doubt, consult our Service Network.	
Fluid	Mineral oil (HL, HLP) according DIN 51524
Fluid temperature range	-30 °C to 100 (-22 to 212 °F)
Viscosity range	5 to 800 mm ² /s (cSt)
Recommended degree of fluid contamination	Class 19/17/14 according to ISO 4406
Other technical data	see data sheet 18350-50

Note: for applications outside these parameters, please consult us.



Characteristic curve



Ordering code

05.99.05.00	Y
--------------------	----------

Shuttle valve

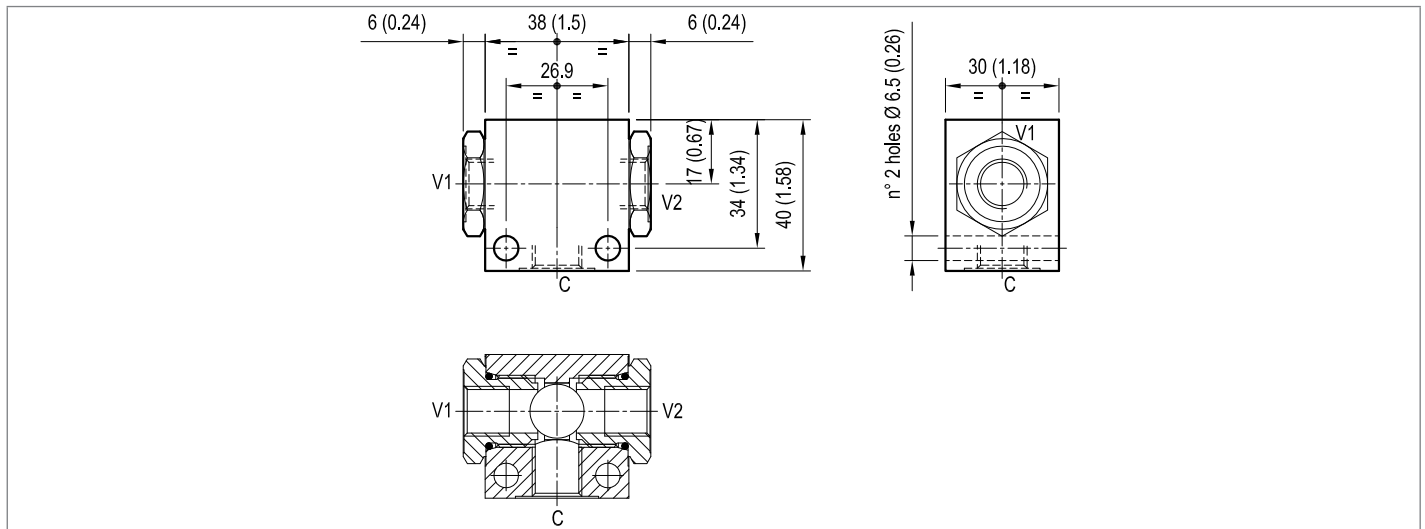
Port sizes	C	V1 - V2
09	G 1/4	G 1/4

Preferred types

Type	Material number
05990500090000A	R930002701

Type	Material number

Dimensions



Bosch Rexroth Oil Control S.p.A.

Via Leonardo da Vinci 5
 P.O. Box no. 5
 41015 Nonantola – Modena, Italy
 Tel. +39 059 887 611
 Fax +39 059 547 848
 compact-hydraulics-pib@boschrexroth.com
 www.boschrexroth.com/compacthydraulics

© This document, as well as the data, specifications and other information set forth in it, are the exclusive property of Bosch Rexroth Oil Control S.p.a.. It may not be reproduced or given to third parties without its consent. The data specified above only serve to describe the product. No statements concerning a certain condition or suitability for a certain application can be derived from our information. The information given does not release the user from the obligation of own judgment and verification. It must be remembered that our products are subject to a natural process of wear and aging. Subject to change.