

miriac™ SBC-S32V234 Single Board Computer

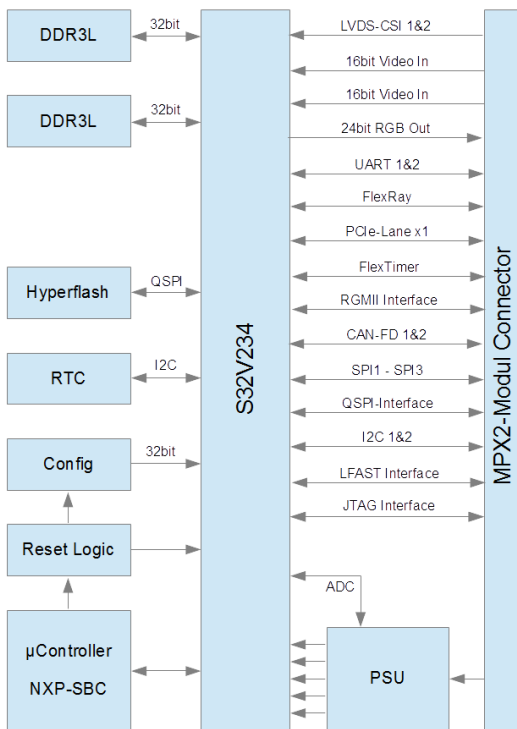
based on NXP S32V234 CPU, ADAS for industrial use

Product Description



Feature Overview

- NXP S32V234 CPU: Quad ARM® Cortex® A53 cores at up to 1.0 GHz core frequency
- dual DDR-3 Interface with 2 x 1GByte capacity
- Hyperflash boot device
- MCU supervision circuitry
- Real Time Clock
- four user leds
- four system state leds
- octal ADC channel connector
- 10/100/1000BaseT Netphy
- DVI-D interface
- Two micro SD-Card
- USB 2.0 console interface on UART0 port
- LinFlexD interface on UART1 port
- dual CAN-FD transceivers
- mini PCI-Express card slot
- MIPI-CSI camera interface connector
- reset switch
- dual boot mode dipswitch
- backup battery for Real Time Clock
- TAG Connect debug interface
- 9-15V DC supply
- 122mm x 90mm board size



Software Support

- Linux

Order Information

Order Number	Description	Status
854901	miriac MPX-S32V234 SoM, with NXP S32V234@1GHz CPU, up to 2x 1GB DDR3L RAM	available
855701	miriac SBC-S32V234A Development Kit, SoM, Carrier, Linux BSP, accessories	available

Fig. 1 miriac MPX-S32V234 SoM Block Diagram

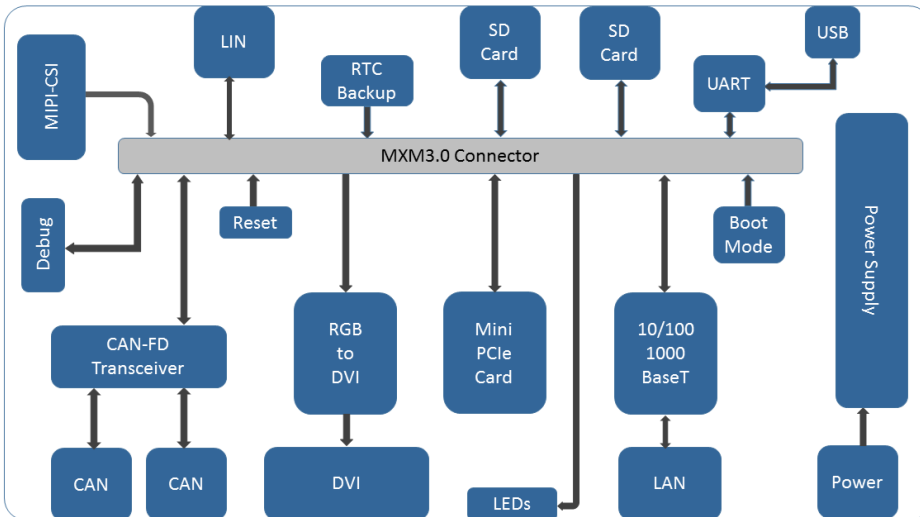


Fig 2: miriac SBC-S32V234 Carrier Block Diagram

You are interested in more information? You are very welcome to contact us.

MicroSys Electronics GmbH
 Muehlweg 1
 82054 Sauerlach
 Germany www.microsys.de

Phone +49 (0)8104 801-0
 Hotline +49 (0)8104 801-130
 Fax +49 (0)8104 801-110
 Email info@microsys.de