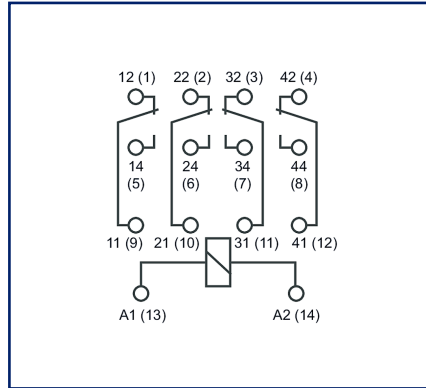


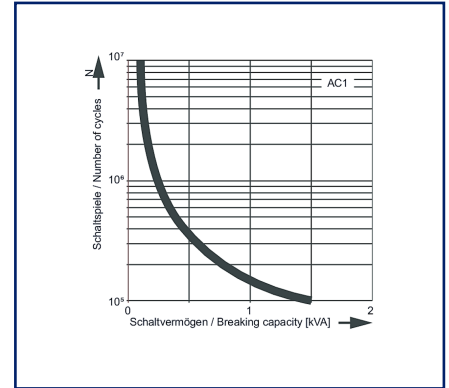
Illustrations



Wiring diagram



Diagramm



See enlarged drawings at the end of document

Product specification

Compact, pluggable relay for industrial use.

- Socket pins as soldering lugs
- Mechanical switch position display
- With manual test button
- Cadmium-free contacts
- LED-Indicator



Technical Data

Supply

Operating voltage	230 V AC -10% ... +10%
Power consumption (max.)	7 mA
Response time typical	10 ms
Release time typical	8 ms
Coil resistance	16 kOhm

Outputs

Contacts	4 changeover contacts
Contact material	AgNi
Switching capacity (max.)	1500 VA
Switching frequency	1200 switching cycles/h
Switching voltage (max.)	250 V AC
Switching voltage (min.)	10 V at 30 mA
Switching current (min.)	5 mA
Switching capacity (min.)	300 mW
Continuous Current	7 A
Switch-on current	12 A
Switching capacity	
Switching capacity AC 1	7 A / 230 V AC (VDE)
Switching capacity AC 14 (at 120 V)	0,6 A (D300)
Switching capacity AC 14 (at 240 V)	0,3 A (D300)
Switching capacity AC 15 (at 120 V)	1.5 A
Switching capacity AC 15 (at 240 V)	0,75 A (C300)0,75 A (C300)
Breaking capacity (resistive load)	
Mechanical life	1x10 ⁷ switching cycles

Insulation coil - contact set

Nominal voltage of the power supply system	250 V AC
Overvoltage category	II
Degree of pollution	2
Rated test voltage	2.5 kV
Type of insulation	basic insulation



Technical Data

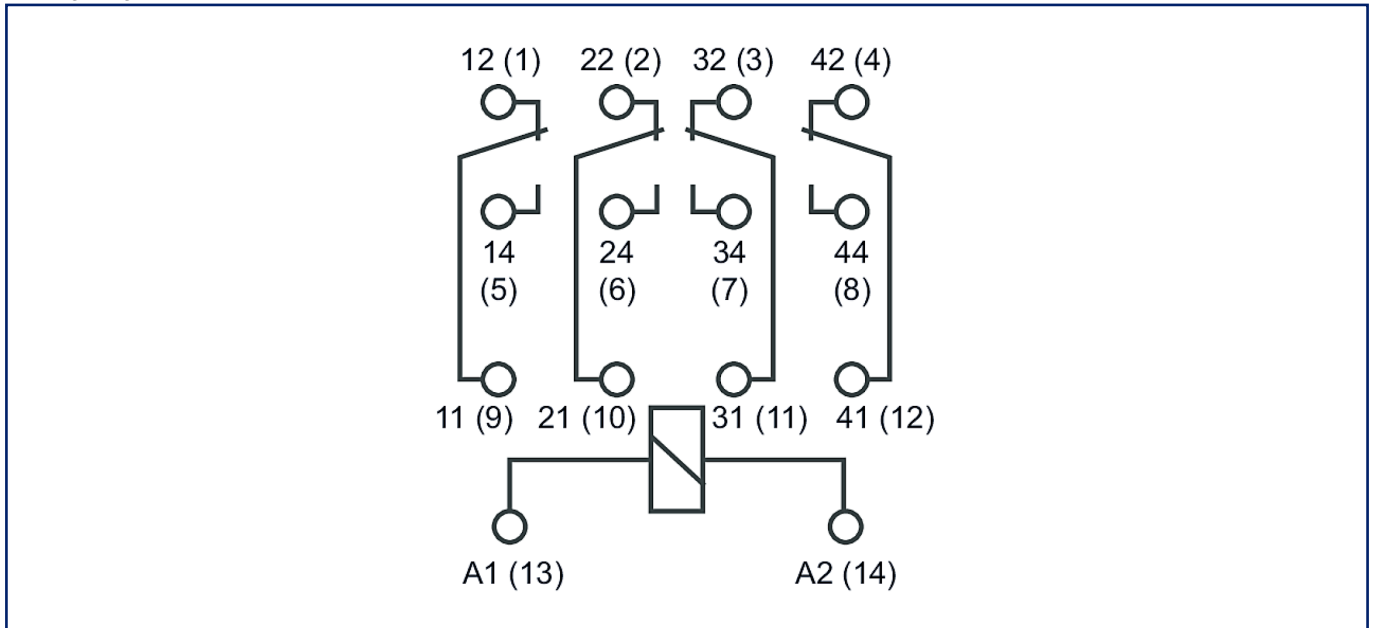
Housing	
Dimensions	
Dimension (W x H x D)	21 mm x 35.5 mm x 27.4 mm
Dimension (W x H x D)	0.827 in. x 1.398 in. x 1.079 in.
Weight	35 g
Mounting style	pluggable
Mounting position	any
Apposition	without distance
Connection type	plug-in connection
Protection category according to IEC 60529	
Protection category (acc. to EN 116000-3)	RT I
Temperature range	
Operating	
Temperature - Operating °C	-40 °C - 55 °C
Temperature - Operating °F	-40 °F - 131 °F
Storage	
Temperature - Storage °C	-40 °C - 85 °C
Temperature - Storage °F	-40 °F - 185 °F
Power loss	
Power loss (typical) coil	1.6 W
Power loss (typical) Contact rate	0.4 W
Classifications	
ETIM 7.0	EC001437
ETIM 8.0	EC001437
ETIM 9.0	EC001437

Accessories

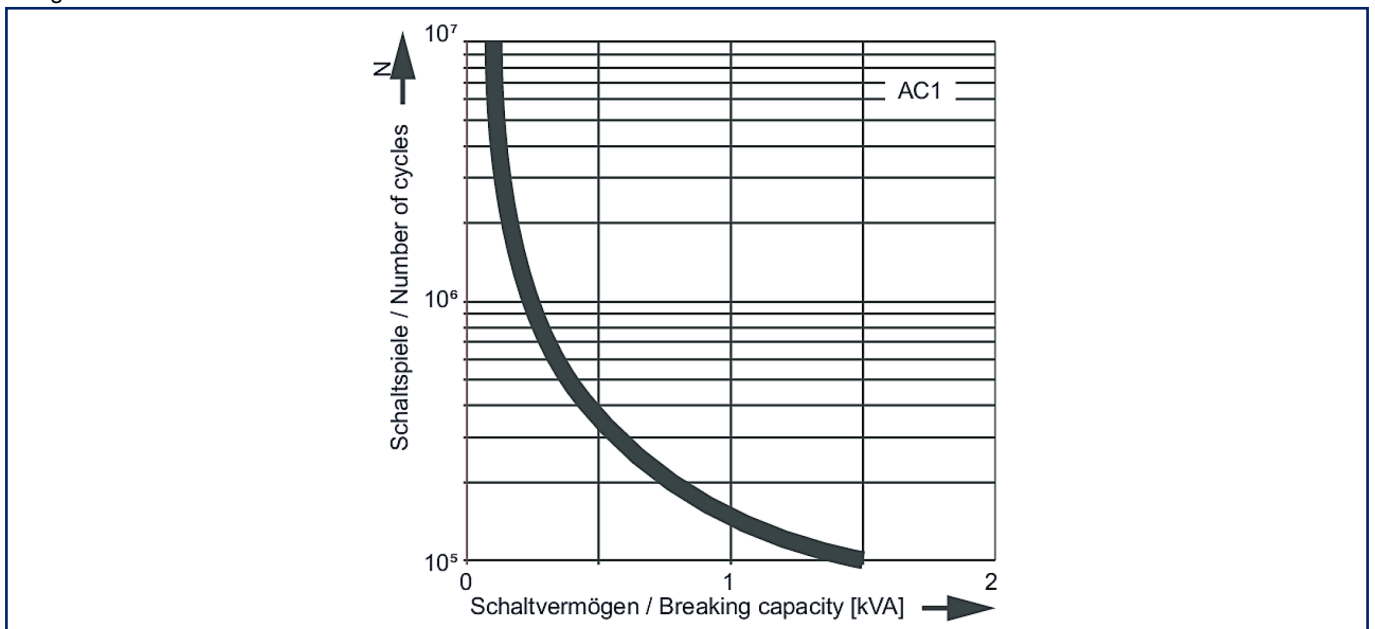
P/N	Designation
110175	Socket 14 poles
110178	Socket 14 poles for electronic modules
110185	Socket 14 poles with spring-loaded terminals

Illustrations

Wiring diagram

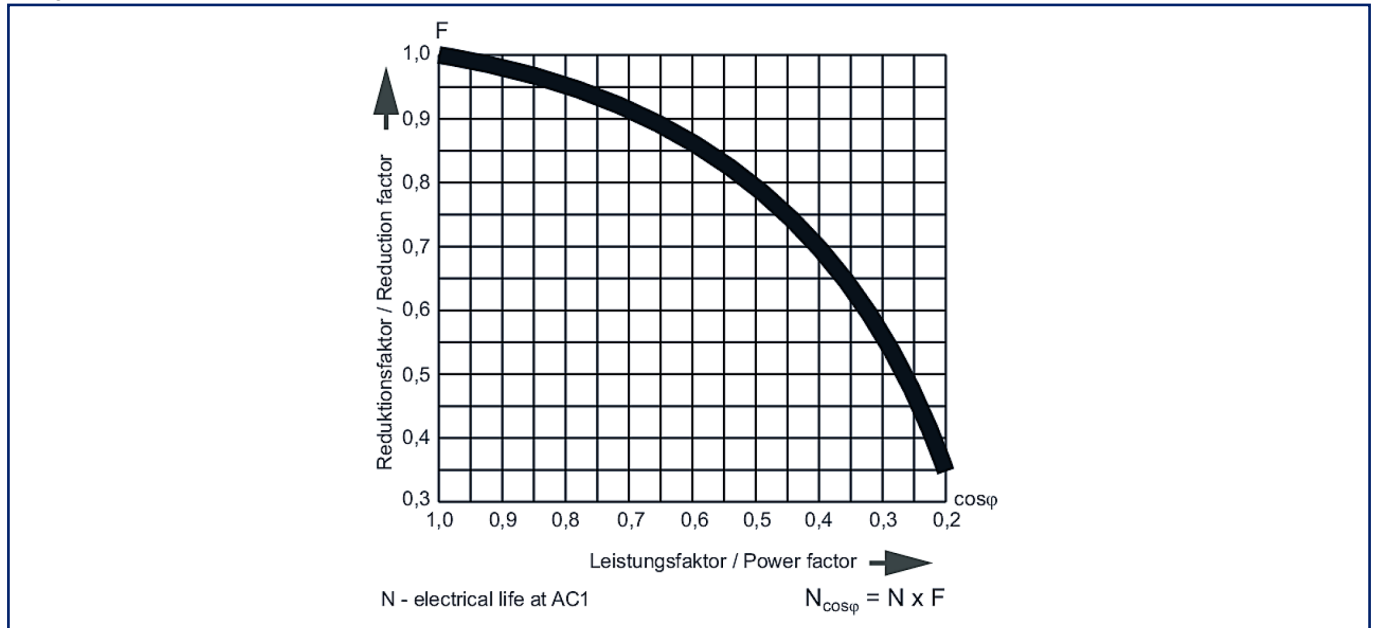


Diagramm



Illustrations

Diagramm



© 2023 METZ CONNECT - Technische Änderungen vorbehalten! Subject to modifications! Sous réserve de modifications techniques!