

FC234, FC300, FC350, FC355, 1503, 2651/2652, 26U51B

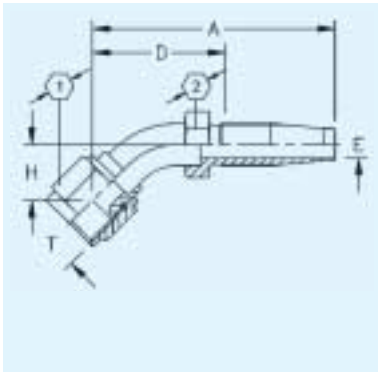
Fittings
Medium
Pressure

Mitteldruck-
armaturen

Embouts
moyenne
pression

Raccordi
media pressione

Racores
medias
presiones



SAE/JIC Female Swivel, 45° Elbow SAE/JIC-Dichtkopf, Femelle 45° Krümmer SAE/JIC coudé 45° Femmina girevole SAE/JIC a 45° Hembra loca SAE/JIC acodado a 45°

Part Number	Thread T	Flange Tube O.D. mm	Hose ND	Hose Size	A mm	D mm	H mm	E Ø mm	K Ø mm	R Ø mm	HEX [1]	HEX [2]	Nut
G185297-4*	7/16-20		5	-4	53	36	12	3			14	12	
G185297-5*	1/2-20		6	-5	61	41	15	5			17	14	
G185299-6**	5/8-18		8	-6	62	41	13	6			19	14	
G185265-6DR***	9/16-18		8	-6	63	40	13	6			17	14	
G185297-8*	3/4-16		10	-8	79	52	19	9			22	17	
G185297-10E*	7/8-14		12	-10	100	69	26	12			27	22	
G185299-12E**	1 1/16-14		16	-12	105	66	25	14			32	24	
G185265-12***	1 1/16-12		16	-12	101	62	23	14			32	24	
G185265-16***	1 5/16-12		19	-16	119	86	37	20			41	30	
G185265-20***	1 5/8-12		25	-20	112	78	34	26,5			55	36	

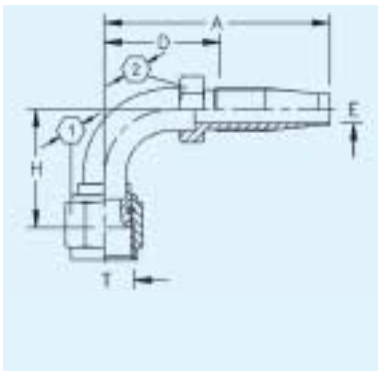
* G185297 - SAE45° + JIC37°
** G185299 - SAE45°
*** G185265 - JIC37°

* G185297 - SAE45° + JIC37°
** G185299 - SAE45°
*** G185265 - JIC37°

* G185297 - SAE45° + JIC37°
** G185299 - SAE45°
*** G185265 - JIC37°

* G185297 - SAE45° + JIC37°
** G185299 - SAE45°
*** G185265 - JIC37°

* G185297 - SAE45° + JIC37°
** G185299 - SAE45°
*** G185265 - JIC37°



SAE/JIC Female Swivel, 90° Elbow SAE/JIC-Dichtkopf, Femelle 90° Krümmer SAE/JIC coudé 90° Femmina girevole SAE/JIC a 90° Hembra loca SAE/JIC acodado a 90°

Part Number	Thread T	Flange Tube O.D. mm	Hose ND	Hose Size	A mm	D mm	H mm	E Ø mm	K Ø mm	R Ø mm	HEX [1]	HEX [2]	Nut
G185296-4*	7/16-20		5	-4	43	26	19	3			14	12	
G185296-5DR*	1/2-20		6	-5	54	35	28	4			17	14	
G185302-6**	5/8-18		8	-6	57	33	25	6			19	14	
G185261-6DR***	9/16-18		8	-6	57	34	26	6			17	14	
G185296-8*	3/4-16		10	-8	76	49	41	9			22	17	
G185296-10E*	7/8-14		12	-10	90	58	51	12			27	22	
G185302-12E**	1 1/16-14		16	-12	100	61	54	14			32	24	
G185261-12DR***1	1/16-12		16	-12	100	61	54	14			32	24	
G185261-16***	1 5/16-12		19	-16	104	75	71	20			41	30	
G185261-20DR***1	5/8-12		25	-20	103	70	67	26			50	36	

* G185296 - SAE45° + JIC37°
** G185302 - SAE45°
*** G185261 - JIC37°

* G185296 - SAE45° + JIC37°
** G185302 - SAE45°
*** G185261 - JIC37°

* G185296 - SAE45° + JIC37°
** G185302 - SAE45°
*** G185261 - JIC37°

* G185296 - SAE45° + JIC37°
** G185302 - SAE45°
*** G185261 - JIC37°

* G185296 - SAE45° + JIC37°
** G185302 - SAE45°
*** G185261 - JIC37°