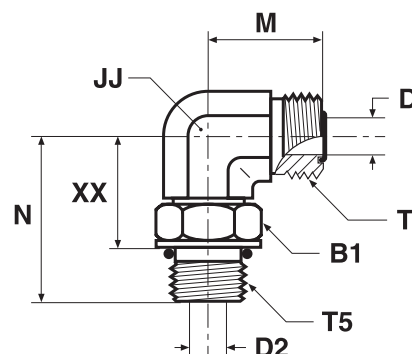


## C50MLO Male stud elbow

O-Lok® ORFS tube end / Male UN/UNF thread – O-ring (ISO 11926)  
SAE 520220



Tube O.D.		Thread UN/UNF-2A T5	Thread UN/UNF-2A T	B1	D	D2	JJ	M	N	XX	Weight (steel)	O-Lok® Steel	O-Lok® Stainless Steel	PN (bar)	
mm	in.			mm	mm	mm	mm	mm	mm	mm	g/1 piece			S	SS
6	1/4	7/16-20	9/16-18	16	5	5	14	22	33	22	53	<b>4 C50LO-S</b>	<b>4C50MLOSS</b>	420	420
6	1/4	9/16-18	9/16-18	19	5	8	19	24	37	25	66	<b>4-6C50MLOS</b>	<b>4-6C50MLOSS</b>	420	420
6	1/4	3/4-16	9/16-18	24	5	10	19	25	41	27	67	<b>4-8 C50LO-S</b>	<b>4-8C50MLOSS</b>	420	420
8, 10	5/16, 3/8	9/16-18	11/16-16	19	7	8	19	25	37	25	68	<b>6C50MLOS</b>	<b>6C50MLOSS</b>	420	420
8, 10	5/16, 3/8	7/16-20	11/16-16	16	7	5	19	25	35	24	57	<b>6-4 C50LO-S</b>	<b>6-4C50MLOSS</b>	420	420
8, 10	5/16, 3/8	3/4-16	11/16-16	24	7	10	19	27	41	27	105	<b>6-8C50MLOS</b>	<b>6-8C50MLOSS</b>	420	420
8, 10	5/16, 3/8	7/8-14	11/16-16	27	7	12	22	29	50	34	196	<b>6-10 C50LO-S</b>	<b>6-10C50MLOSS</b>	420	420
8, 10	5/16, 3/8	1 1/16-12	11/16-16	36	7	16	27	33	55	37	250	<b>6-12 C50LO-S</b>	<b>6-12C50MLOSS</b>	420	420
12	1/2	3/4-16	13/16-16	24	10	10	19	28	41	27	164	<b>8C50MLOS</b>	<b>8C50MLOSS</b>	420	420
12	1/2	9/16-18	13/16-16	19	10	7	19	28	37	25	81	<b>8-6 C50LO-S</b>	<b>8-6C50MLOSS</b>	420	420
12	1/2	7/8-14	13/16-16	27	10	13	27	31	50	34	187	<b>8-10C50MLOS</b>	<b>8-10C50MLOSS</b>	420	420
12	1/2	1 1/16-12	13/16-16	36	10	15	30	36	55	37	201	<b>8-12 C50LO-S</b>	<b>8-12C50MLOSS</b>	420	420
14, 15, 16	5/8	7/8-14	1-14	27	13	13	27	33	50	34	214	<b>10C50MLOS</b>	<b>10C50MLOSS</b>	420	420
14, 15, 16	5/8	3/4-16	1-14	24	13	10	27	33	46	32	175	<b>10-8 C50LO-S</b>	<b>10-8C50MLOSS</b>	420	420
14, 15, 16	5/8	1 1/16-12	1-14	35	13	16	30	36	55	37	248	<b>10-12 C50LO-S</b>	<b>10-12C50MLOSS</b>	420	420
18, 20	3/4	1 1/16-12	1 3/16-12	36	16	16	30	37	55	37	442	<b>12C50MLOS</b>	<b>12C50MLOSS</b>	420	420
18, 20	3/4	3/4-16	1 3/16-12	24	16	10	30	37	47	33	325	<b>12-8C50MLOS</b>	<b>12-8C50MLOSS</b>	420	420
18, 20	3/4	7/8-14	1 3/16-12	27	16	13	30	37	51	35	296	<b>12-10C50MLOS</b>	<b>12-10C50MLOSS</b>	420	420
18, 20	3/4	1 5/16-12	1 3/16-12	41	16	22	36	41	60	41	346	<b>12-16 C50LO-S</b>	<b>12-16C50MLOSS</b>	380	380
22, 25	1	1 5/16-12	1 7/16-12	41	21	21	37	42	60	38	502	<b>16 C50LO-S</b>	<b>16C50MLOSS</b>	380	380
22, 25	1	1 1/16-12	1 7/16-12	35	21	16	37	42	59	40	473	<b>16-12 C50LO-S</b>	<b>16-12C50MLOSS</b>	420	420
22, 25	1	1 5/8-12	1 7/16-12	48	21	26	41	45	62	44	580	<b>16-20 C50LO-S</b>	<b>16-20C50MLOSS</b>	280	280
28, 30, 32	1 1/4	1 5/8-12	1 11/16-12	48	26	26	41	45	62	44	563	<b>20 C50LO-S</b>	<b>20C50MLOSS</b>	280	280
28, 30, 32	1 1/4	1 5/16-12	1 11/16-12	41	26	22	41	45	62	43	563	<b>20-16C50MLOS</b>	<b>20-16C50MLOSS</b>	380	280
28, 30, 32	1 1/4	1 7/8-12	1 11/16-12	54	26	32	48	49	66	47	764	<b>20-24 C50LO-S</b>	<b>20-24C50MLOSS</b>	280	280
35, 38	1 1/2	1 7/8-12	2-12	54	32	32	48	49	66	47	689	<b>24 C50LO-S</b>	<b>24C50MLOSS</b>	280	280
35, 38	1 1/2	1 5/8-12	2-12	48	32	26	48	49	66	47	644	<b>24-20 C50LO-S</b>	<b>24-20C50MLOSS</b>	280	280
50	2	2 1/2-12	2 1/2-12	70	45	40	64	70	78	59	2200	<b>32 C50LO-S</b>	<b>32C50MLOSS</b>	170	170

Product delivered with NBR TRAP seal. Replacement of TRAP seal is with a standard NBR O-ring – see page J73.

Part numbers shown are part of our current manufacturing programme.

Imperial and metric parts may vary in hexagon dimensions.

$$\frac{\text{PN (bar)}}{10} = \text{PN (MPa)}$$

Pressure ratings – PN shown, apply to Steel and Stainless Steel versions of the product.

