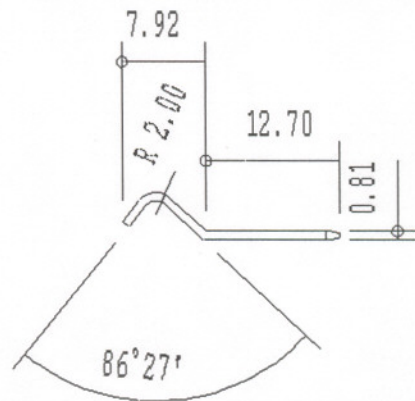
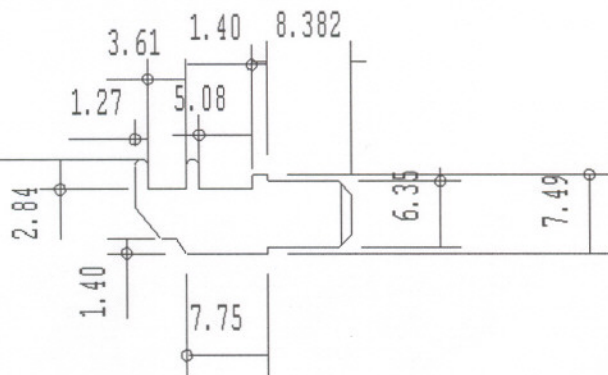


PCB Connectors

Order code	Manufacturer code	Description
33-4027	n/a	ECON. 6.35X0.8MM HORIZ.BLADE CON (100)RC

PCB Connectors	Page 1 of 2
The enclosed information is believed to be correct, Information may change without notice due to product improvement. Users should ensure that the product is suitable for their use. E. & O. E.	Revision A 20/02/2007



MEC
INTERNATIONAL

TEL: 01732 361335
FAX: 01732 770540
EMAIL: sales@mecint.co.uk

E109-8