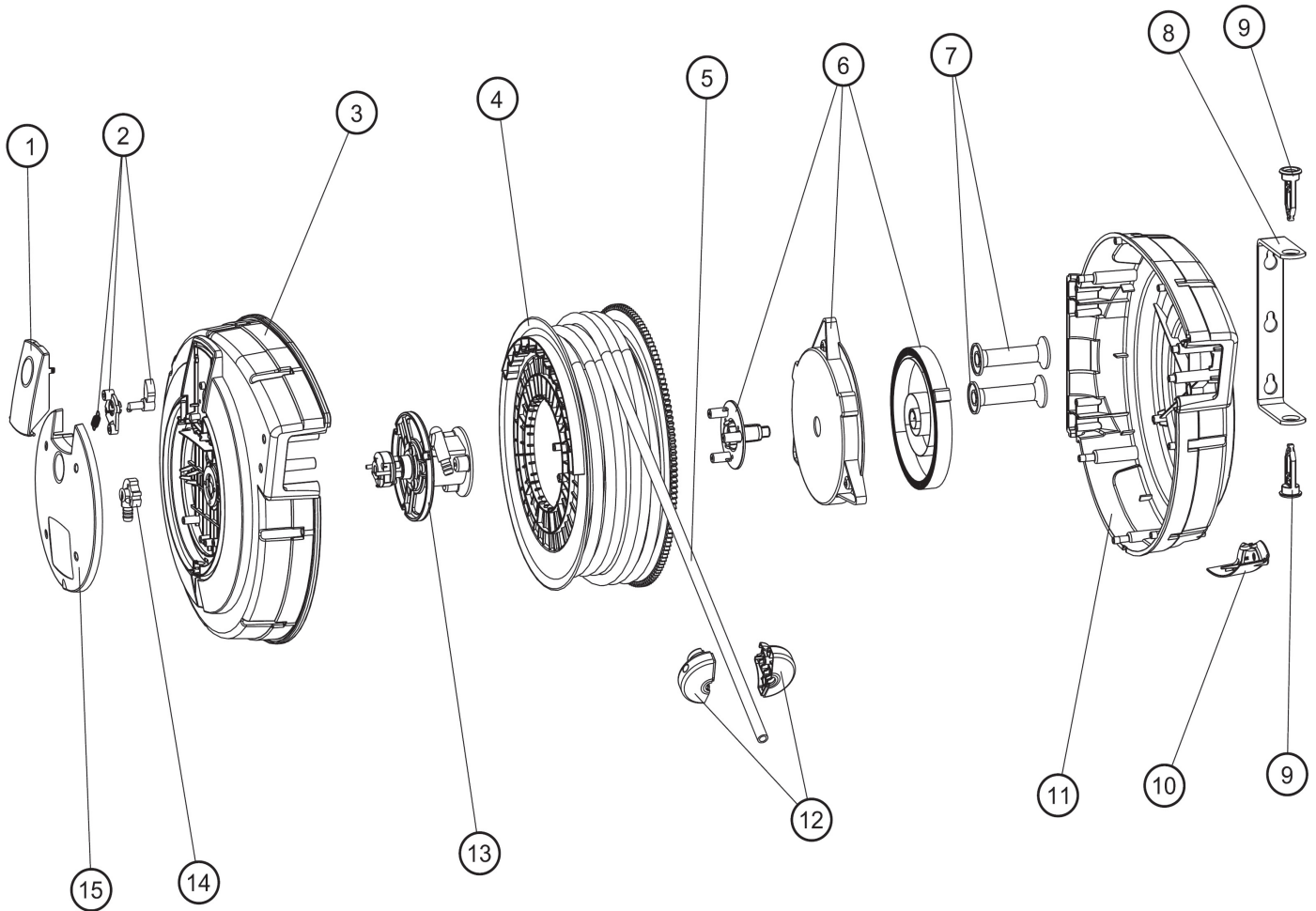


Parts Information:
Retractable Air Hose Reel HD Mechanism
10mtr Ø10mm ID PU Hose
Model No: SA895.V3



Item	Part No.	Description
1	198.330114	Cover For Locking System
2	198-704903	Complete Pawl (Inc Spring & Support)
3	198.331020	Red Casing, Left Side
4	198.331205	Spool
5	198.703026	Complete Spare Hose 3/8" (10x15mm)
6	198.705026	Complete Spare Spring
7	198.331220	Guide Roller

Item	Part No.	Description
8	198.620125	Wall Bracket
9	198.324230	Support Pin
10	198-331100	Case/Wall Bracket Support
11	198.331120	Red Casing, Right Side
12	198-322246	Hose Stopper (c/w Screws)
13	198-323381	Air Pivot Connection
14	198.330112	Cover

NOTE: It is our policy to continually improve products and as such we reserve the right to alter data, specifications and component parts without prior notice.

IMPORTANT: No liability is accepted for incorrect use of product.

WARRANTY: Guarantee is 12 months from purchase date, proof of which will be required for any claim.