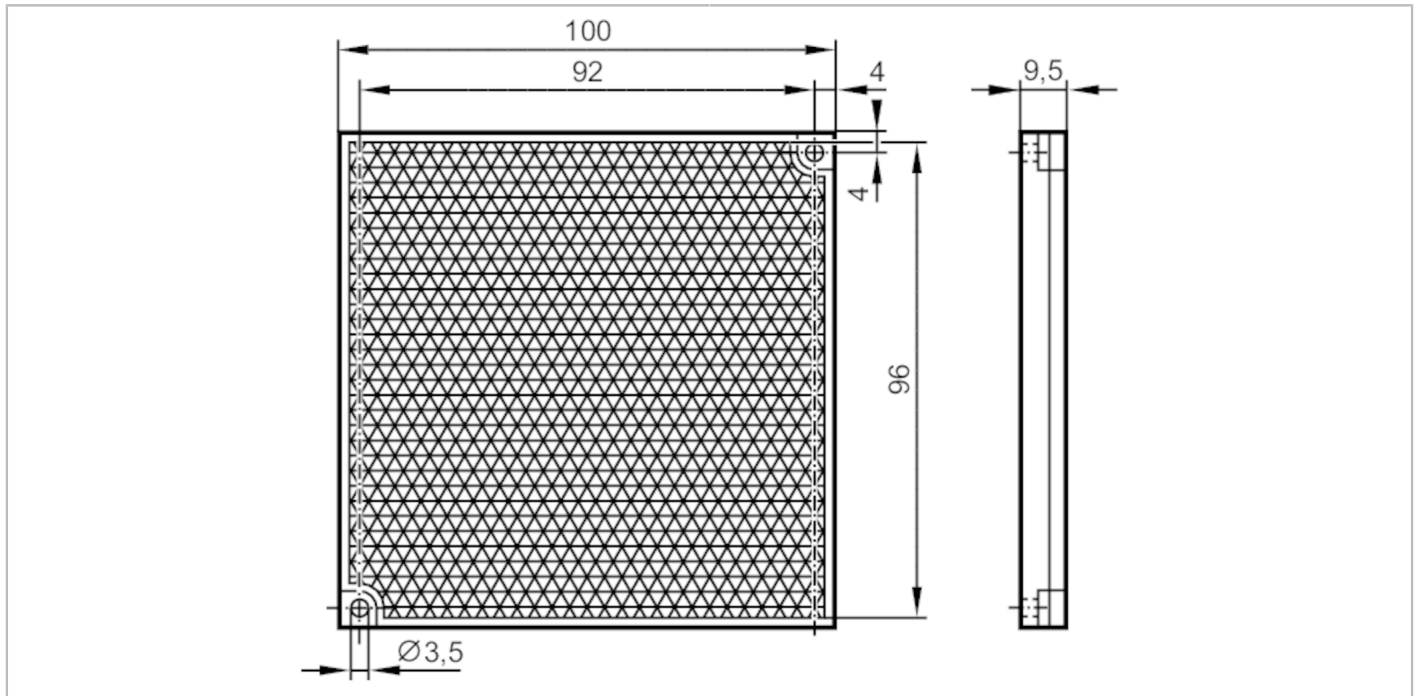


# E21270



## Reflector for retro-reflective sensors

REFLECTOR TS-96X96 SC



### Application

Design

for hygienic and wet areas in the food industry, rectangular,  
for red light and infrared light retro-reflective sensors

### Operating conditions

Ambient temperature

[°C]

-20...140

### Mechanical data

Weight

[g]

73.1

Materials

Solidchem

### Remarks

Pack quantity

1 pcs.