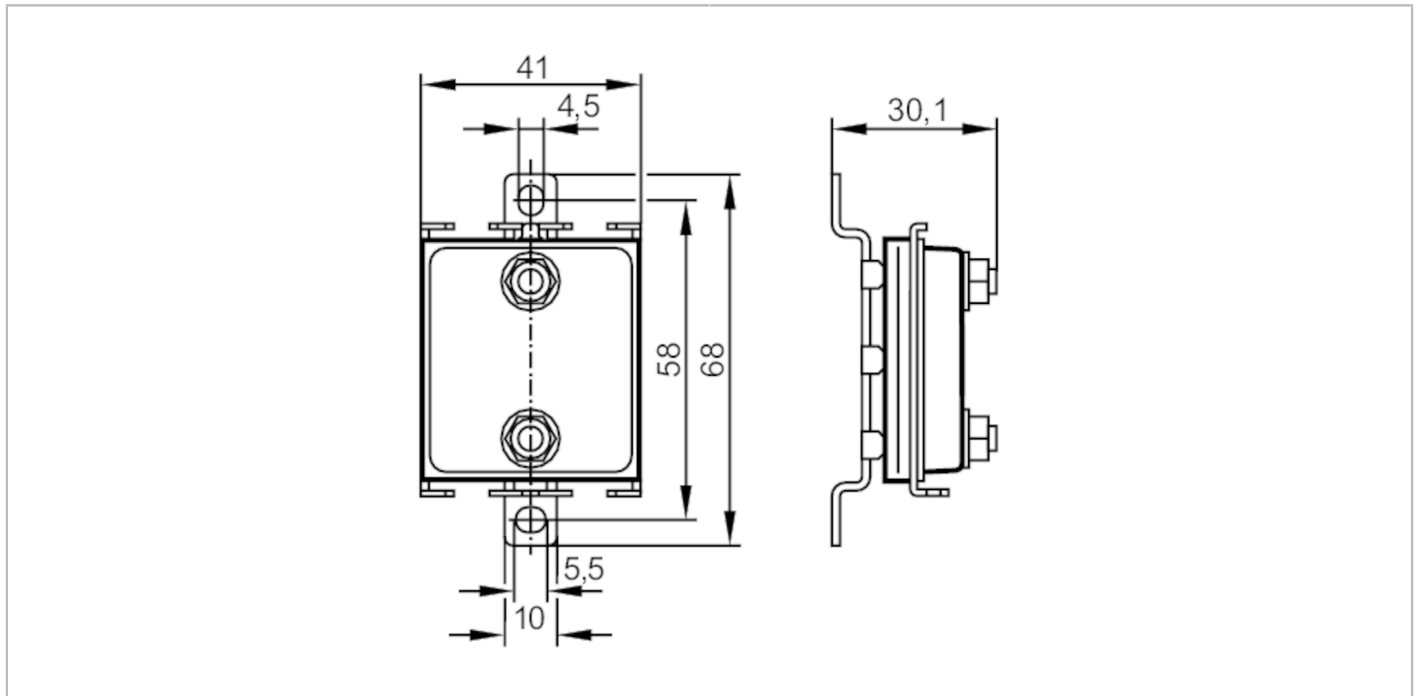


E7377A



AS-Interface flat cable splitter

FC Splitter yelye II 3D/3G



Application	
Application	for the distribution of the AS-i voltage or the external 24 V supply
Electrical data	
Protection class	III
Max. current load total [A]	8
Outputs	
Electrical design	AS-i
Operating conditions	
Ambient temperature [°C]	0...60
Protection	IP 67; (outside hazardous areas: IP 68 / IP 69K)
Tests / approvals	
ATEX marking	Ex II 3G Ex nA II T6 Gc X Ex II 3D Ex tc IIIC T 70°C Dc X
Mechanical data	
Weight [g]	132.5
Materials	metal parts: stainless steel (1.4404 / 316L); rubber gasket for contact pins: FKM; Sealing: EPDM
Tightening torque [Nm]	2.5; (Mounting screw)
Accessories	
Accessories (optional)	Torque wrench:, E70390 flat cable blank:, E70299
Remarks	
Pack quantity	1 pcs.