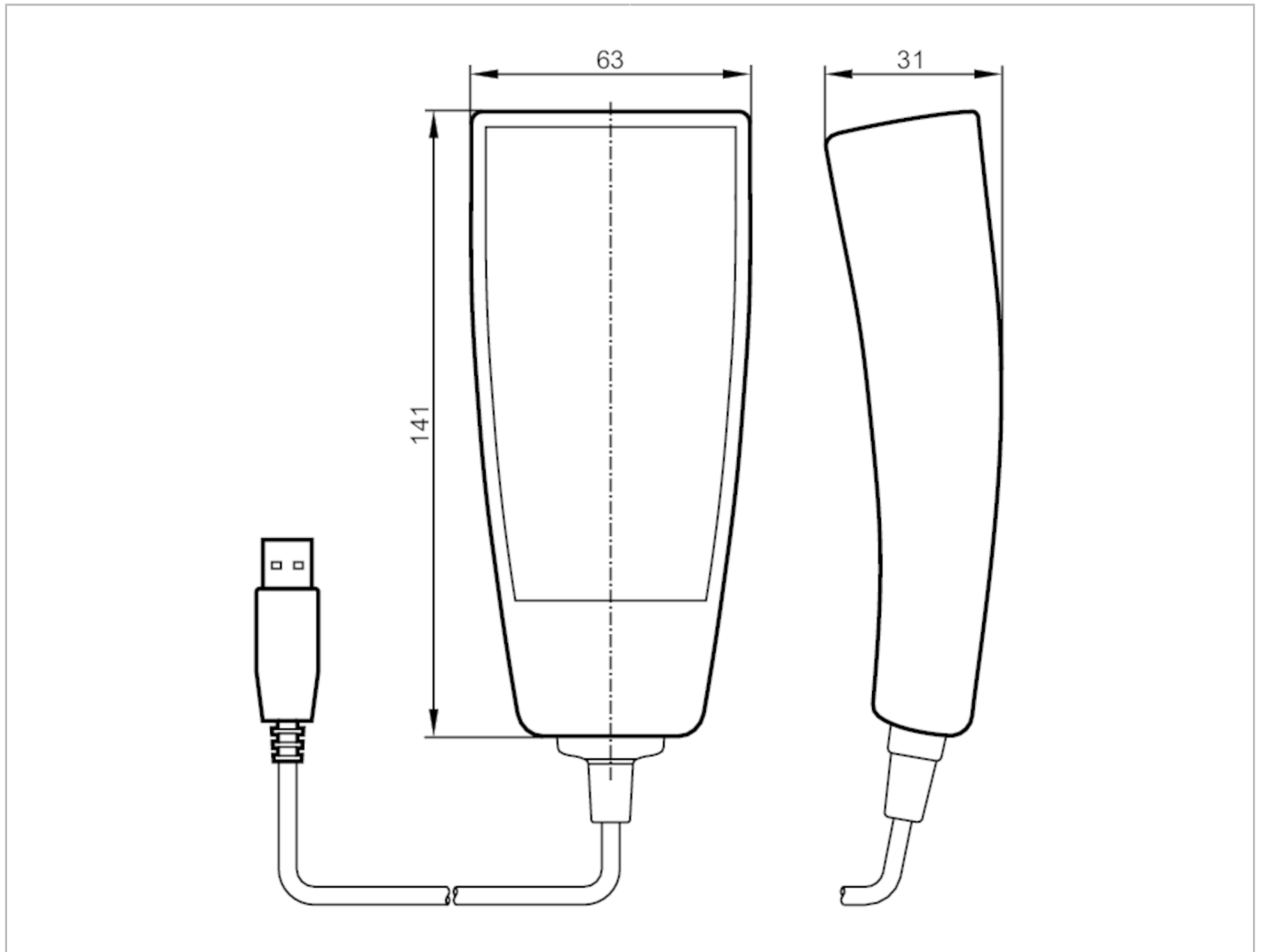


# E80321



## RFID handheld reader 125KHz - Q5

RFID HANDHELD READER WRITER USB



### Application

Application for use in PCs or notebooks

### Electrical data

Nominal voltage DC	[V]	5
Current consumption	[mA]	< 60
Operating frequency	[MHz]	0,125

### Operating conditions

Ambient temperature	[°C]	-20...50
Protection		IP 65

### Mechanical data

Weight	[g]	291.5
Materials		PS (polystyrene)

# E80321



## RFID handheld reader 125KHz - Q5

RFID HANDHELD READER WRITER USB

Remarks	
Remarks	read/write distances depend on transponders used
	Software supplied
Pack quantity	1 pcs.
Electrical connection	
Cable: 1.8 m	
5 V DC	supply USB