

Product characteristics

Splitter box

Connector

Gold-plated contacts

Electrical data

Electrical design

Operating voltage [V]

Max. total current load [A]

Max. current load per location [A]

Protection class

Environment

Ambient temperature [°C]

Ambient temperature (moving) [°C]

Protection

Mechanical data

Design

Housing materials

Tightening torque for knurled nut [Nm]

Weight [kg]

Displays / operating elements

Output status indication LED

Operation LED

Electrical connection

Connection

DC

15...30 DC

1

1

III

-25...80

-5...60

IP 67

4 way

PBT-GF 20; Brass nickel-plated

0.8...1.5

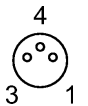
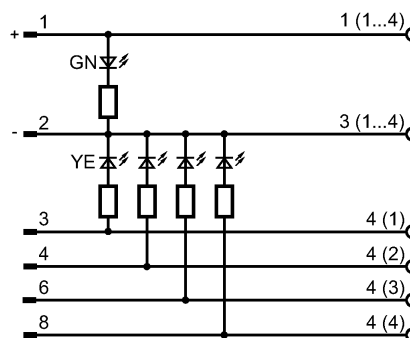
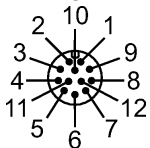
0.087

4 x yellow

green

M12 connector

Wiring



Remarks

Pack quantity [piece]

Other data

Ports

1

M8

EBC044 - Splitter box - eclass: 27279219 / 27-27-92-19

ifm electronic gmbh • Friedrichstraße 1 • 45128 Essen — We reserve the right to make technical alterations without prior notice. — GB — EBC044 — 29.11.2011