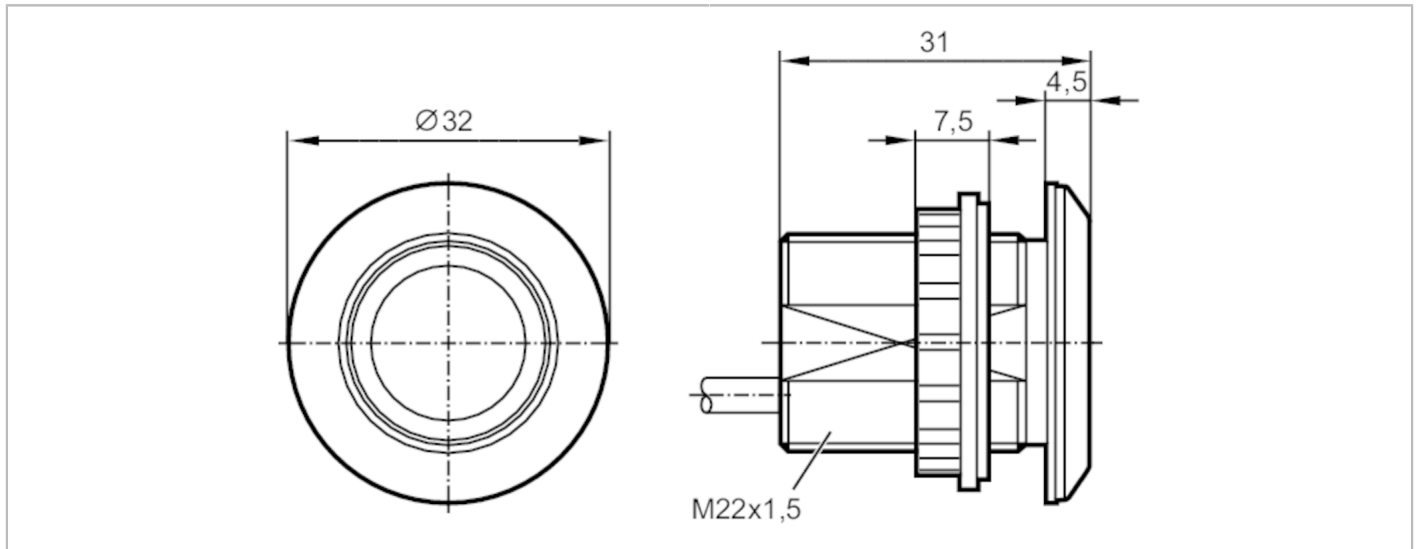


# KT5312



## Capacitive illuminated pushbutton

KTMSF-EGRBPKG/US/0,3m



### Product characteristics

Electrical design	PNP
Output function	normally open
Dimensions [mm]	Ø 32 / L = 31

### Application

Operating principle	static
---------------------	--------

### Electrical data

Operating voltage [V]	12...30 DC
Current consumption [mA]	30
Protection class	III
Reverse polarity protection	yes
Max. power-on delay time [ms]	500

### Outputs

Electrical design	PNP
Output function	normally open
Permanent current rating of switching output DC [mA]	200
Short-circuit protection	yes
Overload protection	yes

### Response times

Response time [ms]	35
--------------------	----

### Operating conditions

Ambient temperature [°C]	-40...85
Protection	IP 65; IP 67; IP 69K; (on the front)

### Tests / approvals

EMC	IEC 61000-4
-----	-------------

# KT5312



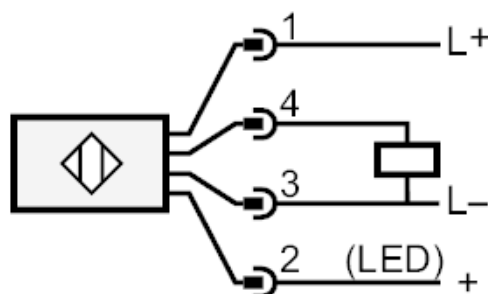
## Capacitive illuminated pushbutton

KTMSF-EGRBPKG/US/0,3m

Mechanical data		
Weight	[g]	76
Dimensions	[mm]	Ø 32 / L = 31
Materials	housing: stainless steel (1.4404 / 316L); active face: PA Grilamid TR 90UV	
Displays / operating elements		
Display	switching status	1 x LED, red
	function	1 x LED, green can be triggered
Accessories		
Accessories (supplied)	lock nuts: 1	
	Gasket: 1	
Accessories (optional)	symbol disc	
Remarks		
Pack quantity	1 pcs.	

Electrical connection	
Cable: 0.3 m, PUR	

### Connection



Connector: 1 x M12