

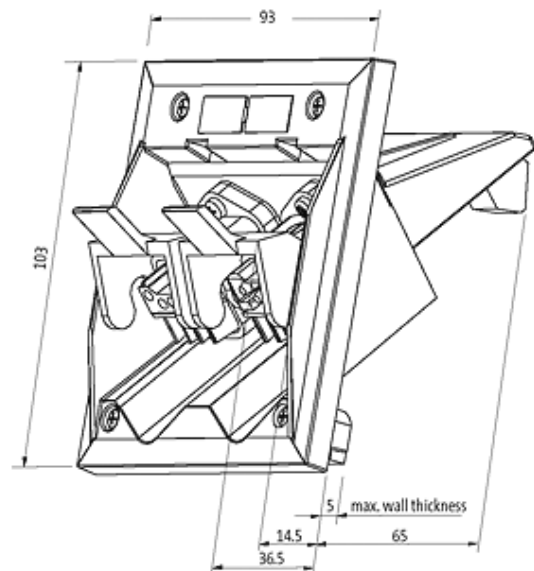
HYBRID FIELD-BUS COUPLERS

Conversion electrical-electrical (passive)

M12, B-coded, 7/8" (female/female)

[Link to Product](#)

Illustration



Product may differ from Image

Technical Data

Shielded no

General data

Housing Black plastic, flame retardant

Cut-out	H x W: 90 x 80 mm
Temperature range	-25...+50 °C
Dimensions H x W x D	103x93x50 mm

Commercial data

country of origin	DE
customs tariff number	85177090
minimum order quantity	1