

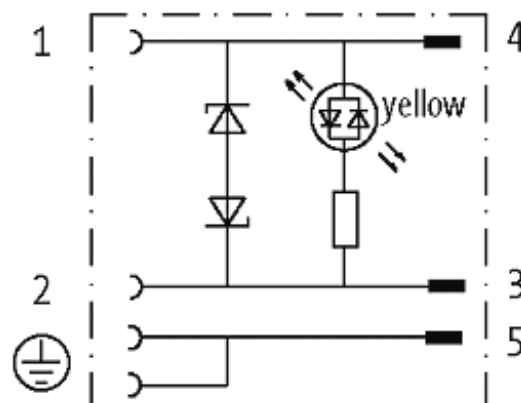
## M12 ADAPTOR ON REAR OF MSUD VALVE PLUG FORM A 18MM

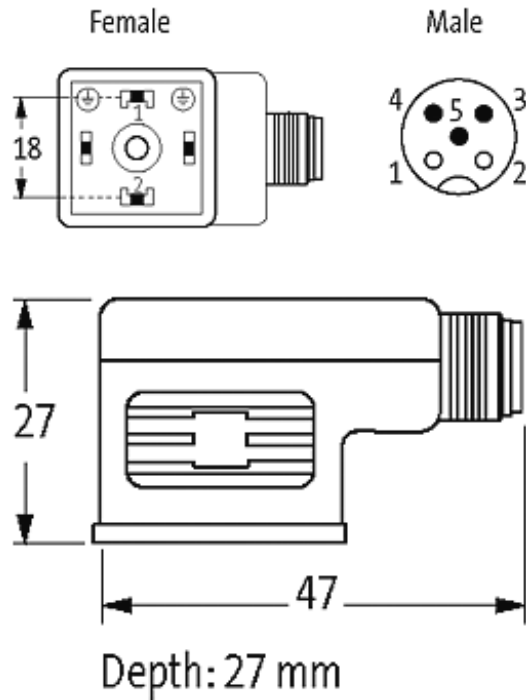
Form A (18 mm) – M12, connector at the rear  
LED and suppression  
3-pole

Plastic housings with good resistance against chemicals and oils. The resistance to aggressive media should be individually tested for your application. Further details on request.

### [Link to Product](#)

#### Illustration



*stay connected*

Product may differ from Image

### Approvals



### Form

41421

### Technical Data

Operating voltage	24 V AC $\pm 20\%$ / DC $\pm 25\%$
Operating current per contact	max. 4 A
Switch off peak	max. 55 V
Locking of ports	M3 (recommended torque 0.4 Nm)
Protection	IP67 inserted and tightened (EN 60529)

### General data

Temperature range	-25...+85 °C
-------------------	--------------

### Commercial data

country of origin	CZ
customs tariff number	85369010
minimum order quantity	1