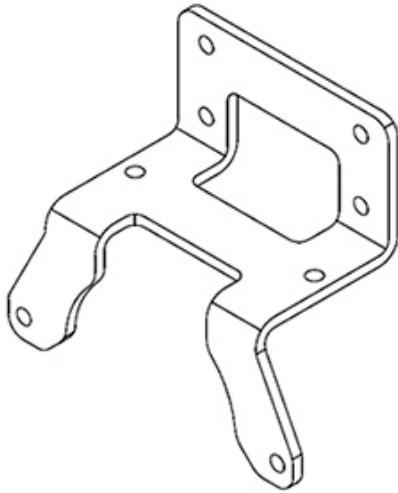


### Product description



Support for external ring lights

MV440 RINGLIGHT HOLDER EXTERNAL FOR SIMATIC VS100 RING LIGHTS SUITABLE FOR 6GF9004-7AA01, ...-7BA01,...-8BA01,...-8C0, ...8DA1 AND 6GF3400-0LT0-7BA1 AND 6GF3400-0LT0-8DA1 SCREWS INCLUDED W X H X D (MM): 175 X 225 X 3

### Suitability for use

Adapts external ring lights to the housing of the camera

### Mechanical data

Color

Metallic

### Design, dimensions and weight

Width

96 mm

Height

76 mm

Depth

46 mm

### Further Information / Internet Links

#### Internet-Link

- to website: Selector SIMATIC NET SELECTION TOOL
- to website: Industrial communication
- to website: Industry Mall
- to website: Information and Download Center
- to website: Image database
- to website: CAx Download Manager
- to website: Industry Online Support

<http://www.siemens.com/snst>

<https://support.industry.siemens.com/WW/view/en/67384964>

<https://mall.industry.siemens.com>

<http://www.siemens.com/automation/net/catalog>

<http://automation.siemens.com/bilddb>

<http://www.siemens.com/cax>

<https://support.industry.siemens.com>

last modified:

16.03.2015