

Seating Pins · pin shape

22680.0418



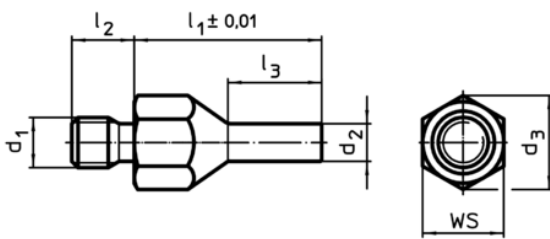
Product Description

To be used as solid and precise seat and stop. The pin-shaped form of this locating pin allows an application in components with narrow seating points. Bearing surface induction hardened and grounded.

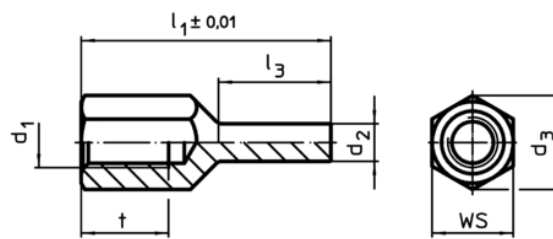
Material

- Heat-treated steel, tempered, blackened

Drawing




picture 1

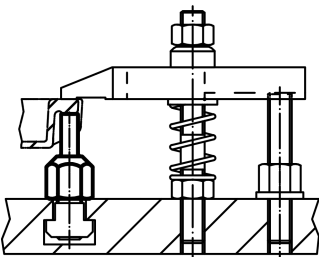


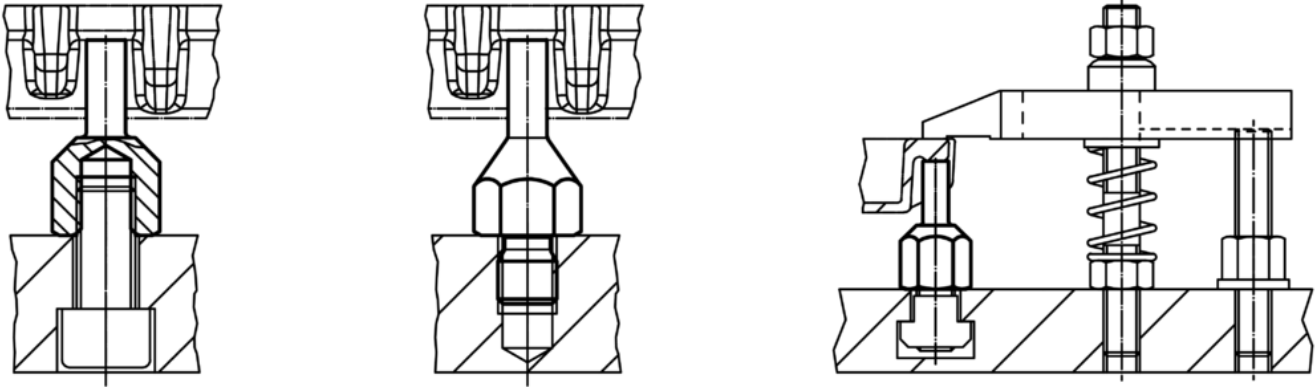
picture 2

Order information

Dimensions						WS	Tightening torque max.		Art. No.
l_1 ± 0.01	d_1	d_2	l_2 [mm]	l_3	d_3				
with male thread – picture 1									
40	M8	6	10	20	14.4	13	18	30	22680.0418

Application example





Compliance

RoHS compliant

Compliant according to Directive 2011/65/EU and Directive 2015/863

Does not contain SVHC substances

No SVHC substances with more than 0.1% w/w contained - SVHC list [REACH] as of 10.06.2022

Does not contain Proposition 65 substances

No Proposition 65 substances included
<https://www.P65Warnings.ca.gov/>

Free from Conflict Minerals

This product does not contain any substances designated as "conflict minerals" such as tantalum, tin, gold or tungsten from the Democratic Republic of Congo or adjacent countries.