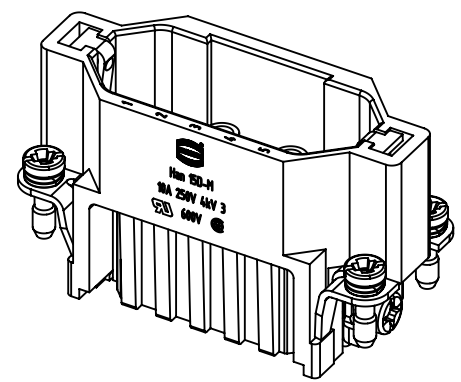
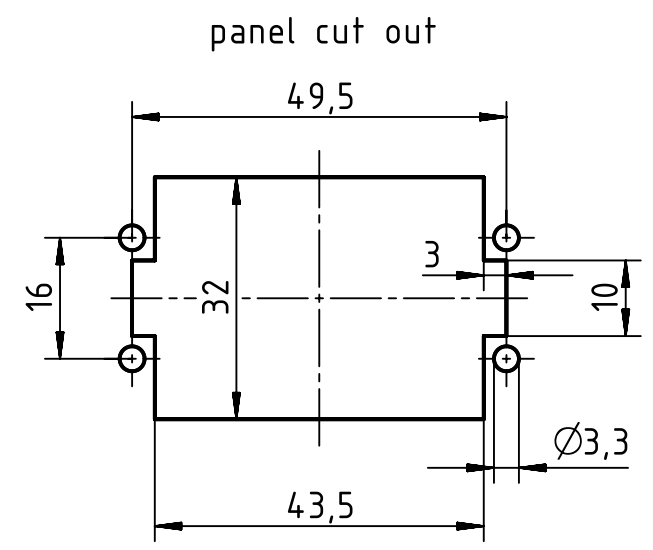
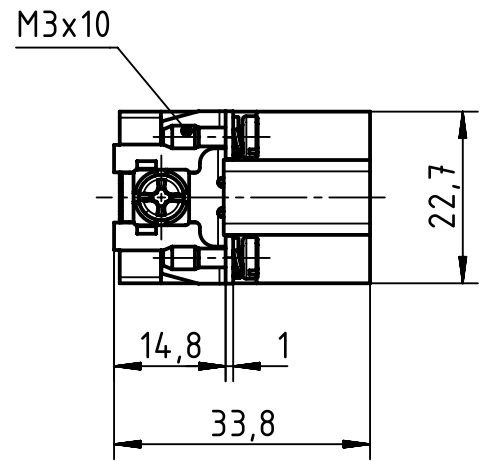
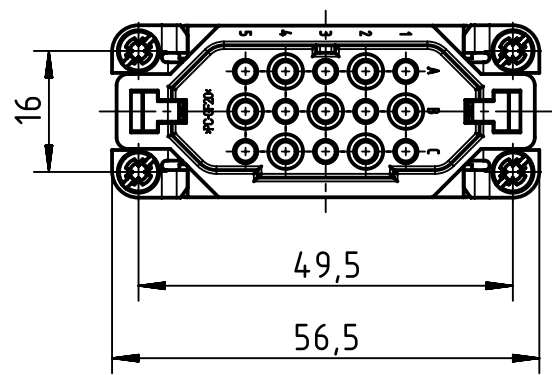


1 2 3 4 5 6

A
B
C
D



	All Dimensions in mm Original Size DIN A4		Scale 1:1	Free size tol.		Ref.
						Sub.
	All rights reserved		Created by KLASSEN P	Inspected by BERGHORN	Standardisation RUETERA	Date 2016-11-14
	Department EL PD - DE					State Final Release
HARTING Electric GmbH & Co. KG D-32339 Espelkamp			Title Han D 15 Pos. M Insert Crimp			Doc-Key / ECM-Nr. 100127536/UGD/004/D 500000108689
			Type TB	Number 09 21 015 3001		Rev. D Page 1/1