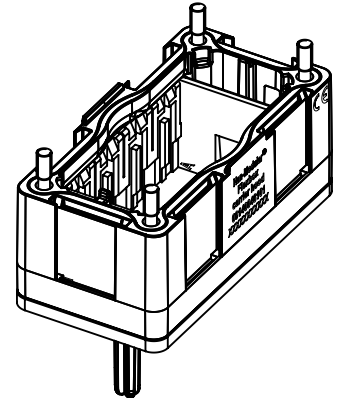
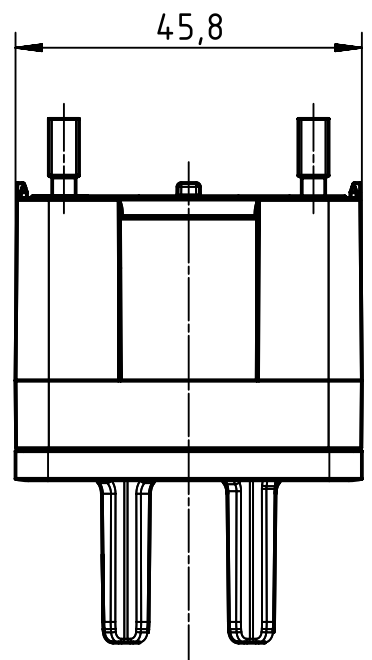
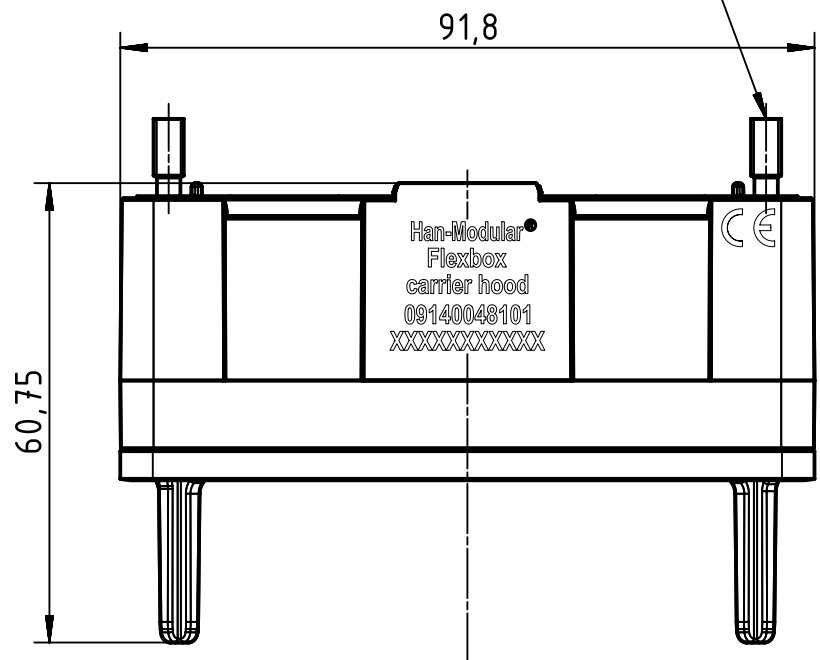



ISO 4762 M4 apply a torque of 0,8 - 1Nm



	All rights reserved Department EL PD HARTING Electric GmbH & Co. KG D-32339 Espelkamp	All Dimensions in mm Original Size DIN A4		Scale 1:1	Free size tol.	Ref. Sub.	
		Created by DEIMEL	Inspected by GRIEPENSTROH	Standardisation GARSKE	Date 2020-04-16	State Final Release	Doc-Key / ECM-Nr. 100826071/UGD/001/B 500000166513
Title Han-Modular Flexbox carrier hood (A...D)						Rev. B	Page 1/1
Type TB		Number 09 14 004 8101					