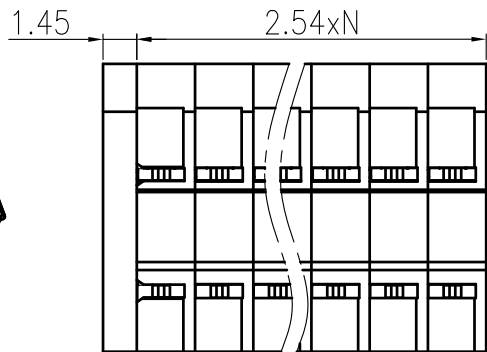
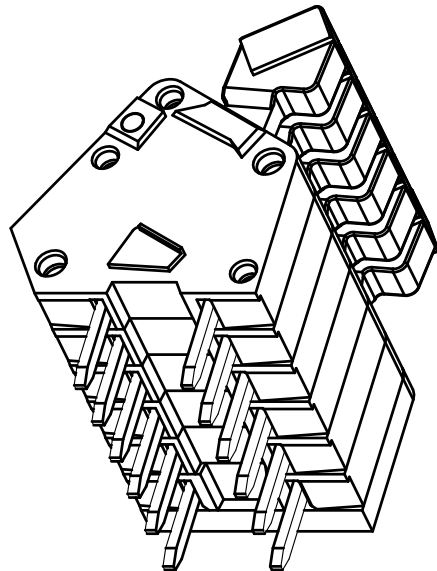
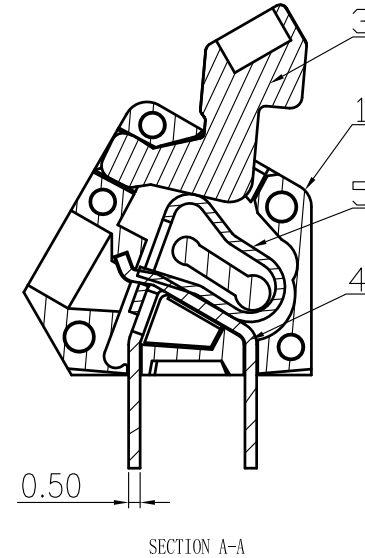
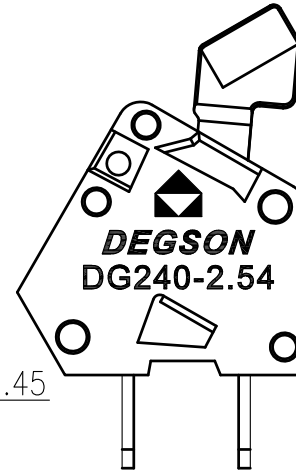
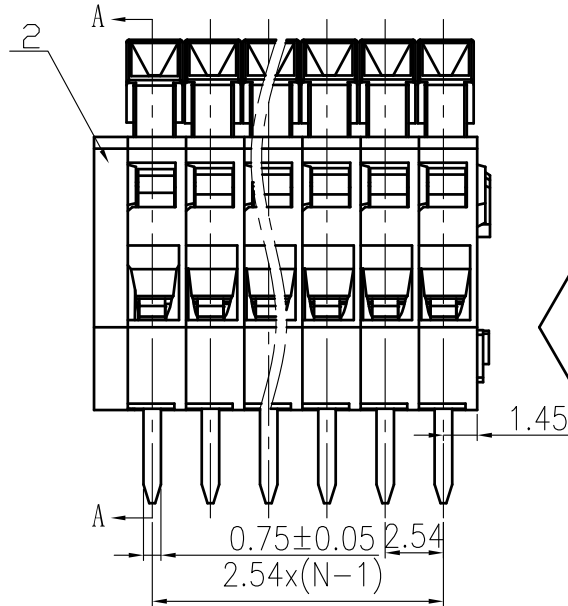
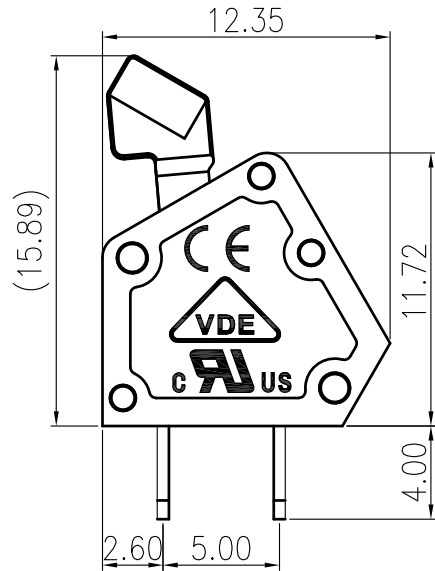


REVISION RECORD				
REV	ECN	DESCRIPTION	DRFT	DATE



- NOTES:
- 1.DIMENSION SHALL BE INTERPRETED PER ASME Y14.5-2009.
 - 2.PITCH: 2.54MM ,POLES: 2-XXP
 - 3.RATED VOLTAGE/CURRENT: UL 150V/4A
VDE 130V/6A
 - 4.OPERATION TEMPERATURES: -40°C~+105°C
 - 5.WITHSTANDING VOLTAGE: AC1500V/1MIN
 - 6.INSULATION RESISTANCE: 5000MΩ/DC1000V
 - 7.WIRE RANGE: 28~20AWG,0.2~0.5MM²
 - 8.UNDIMENSIONED TOLERANCES:

Pitch range in mm		Nominal dimension range in mm					
over 6	over 10	over 30	over 60	over 100	over 150	∩	
to 6	to 10	to 30	to 60	to 100	to 150	□	
±0.10	±0.15	±0.25	±0.2	±0.3	±0.5	±0.7 ± 1.0 0.05/10	

1	DG240-2.54- Housing	3013A0Y01A(H)	XX	PA66	UL94V-0
ITEM	NAME OF PART	NO. OF PART	Q'TY	MATERIAL	NOTES

5	DG240 Spring	X000001020(H)	XX	Stainless steel	
4	DG240 Pin header	3013B00010(H)	XX	Phosphor bronze	Sn plated
3	DG240-2.54-Button	3013D1701A(H)	XX	POM	UL94HB
2	DG240-2.54-Cover	3013C0Y01A(H)	1	PA66	UL94V-0

DETACHED LISTS	MM (INCH)		MATERIAL:			
	TOLERANCES EXCEPT AS NOTED		FINISH:			
	.X ±	.X' ±	PART NO.:			NAME:
	.XX ±	.XX' ±				DG240-2.54-XXP-1Y-00A(H)
.XXX ±	.XXX' ±	APPD:		TITLE: ASSEMBLY DRAWING	REV	
ANGLES ± 1'		CHKD:		DRAWING NO.: DG240-2.54-E01	T3	
THIRD ANGLE PROJECTION		DRFT: Haoyh 06/27/05"		DO NOT SCALE DRAWING	SCALE	
				N/A	SHEET	
				1/1		