

錫麟企業有限公司 Sencera Co. Ltd.

Tel:02-27046595 Fax:886-2-27041279 Email:justinel@ms14.hinet.net
4F-1, No. 26, Jen-Ai Road, Taipei, Taiwan, ROC. <http://welcome.to/sencera>

Solid State Pressure Sensor

STD SERIES

FEATURES

- Low Cost Sensor Element
- Solid State Reliability
- Absolute Pressure
- Constant Voltage or Constant Current Drive

APPLICATIONS

- Altimeters
- Weather Station
- Pneumatic Control
- Cable Fault Detection



DESCRIPTION

The STD Series of OEM pressure sensors are silicon micromachined, piezoresistive sensor in TO-5 metal can package that is suitable for printed circuit mounting. They were designed for extremely cost sensitive applications where the sensing element is to be integral to the OEM equipment, and are intended for use with non-corrosive, non-ionic media. These devices are available in full-scale ranges from 15 to 250 psia. They also may be packaged with application specific sensor die so that the performance characteristics and output range also can be identified. For further information on this series, please contact factory.

Characteristics

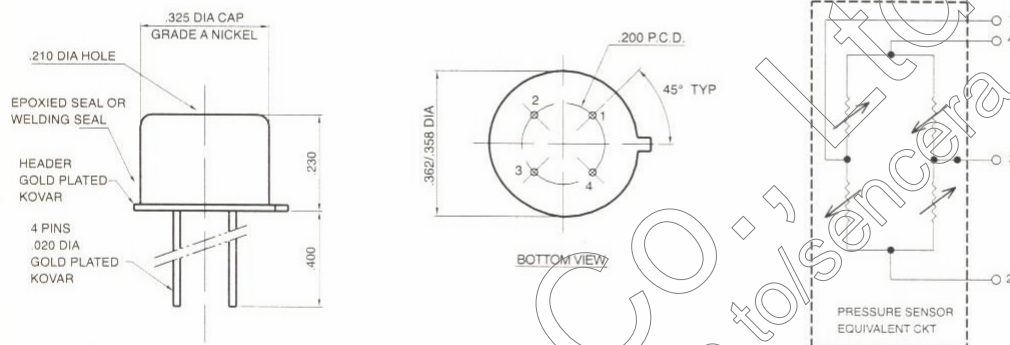
Supply Voltage: 5DC Ambient Temperature: 25°C (Unless Otherwise Specified)

Parameter	Min	Typ	Max	Units
Excitation Voltage	0	5.0	10.0	Volts
Excitation Current	0	1.5	3.0	mA
Span (FS Range)				
15 PSIA	110	145	180	mV
30 PSIA	125	165	200	mV
100 PSIA	125	200	255	mV
250 PSIA	75	100	150	mV
Offset	-50	0	50	mV
TC Span	-27	-22	-17	%FS/100°C
TC Offset	-7		+7	%FS/100°C
TC Resistance	23	28	33	%FS/100°C
Linearity	-0.3	±0.1	+0.3	%FS
Bridge Impedance	2.7	3.3	4.0	KΩ
Pressure Overload	2X			Pressure Rated.F.S.
Operating Temp	-20		85	°C
Storage Temp	-30		125	°C

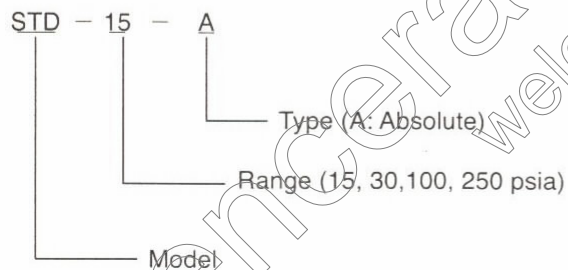
Notes:

1. Best Fit Straight Line.
2. Wetted material are nickel, Kovar, gold and silicon.

Dimension



Ordering Information



PIN#	PIN OUT
1	-Vo
2	-Sup
3	+Vo
4	+Sup