



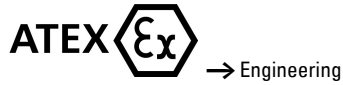
## Joystick, 4 pos.,spring-ret.titan ring



Powering Business Worldwide™

**Part no.** M22-WJ4  
**Article no.** 279417

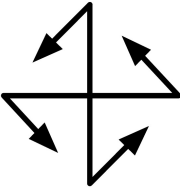
4 positions, use M22-A4 fixing adaptor



Front ring, gold-plated, →#274150

Use adapter M22-A4 →#279437



### Program

Range			RMQ-Titan (drilling dimensions 22.5 mm)
Basic function			Joystick
Single unit/Complete unit			Single unit
Description			4 positions with one operating point per operating direction
Function			momentary
Function			
Front ring			Front ring: titanium
Connection to SmartWire-DT			yes
<b>Notes</b>			
Bezel gold-plated →#274150			
Use adapter M22-A4→#216374			

### Approbationen

UL approval	Yes
CSA approval	Yes
Product Standards	IEC/EN 60947-5; UL 508; CSA-C22.2 No. 14-05; CSA-C22.2 No. 94-91; CE marking
UL File No.	E29184
UL CCN	NKCR
CSA File No.	012528
CSA Class No.	3211-03
NA Certification	UL listed, CSA certified
Degree of Protection	UL/CSA Type 3R, 4X, 12, 13

### General

Standards			IEC/EN 60947 VDE 0660
Lifespan, mechanical	Operations	x 10 <sup>6</sup>	> 0.1
Operating frequency	Operations/ h		 2000
Actuating force		n	 5
Protection type			IP66
Climatic proofing			Damp heat, constant to IEC 60068-2-78 Damp heat, cyclic to IEC 60068-2-30
Ambient temperature		°C	
Open		°C	- 25 - + 70
Mounting position			As required
Mechanical shock resistance		g	30 Shock duration 11 ms Sinusoidal according to IEC 60068-2-27

### Technical data according to ETIM 4.0

Coder			No
-------	--	--	----

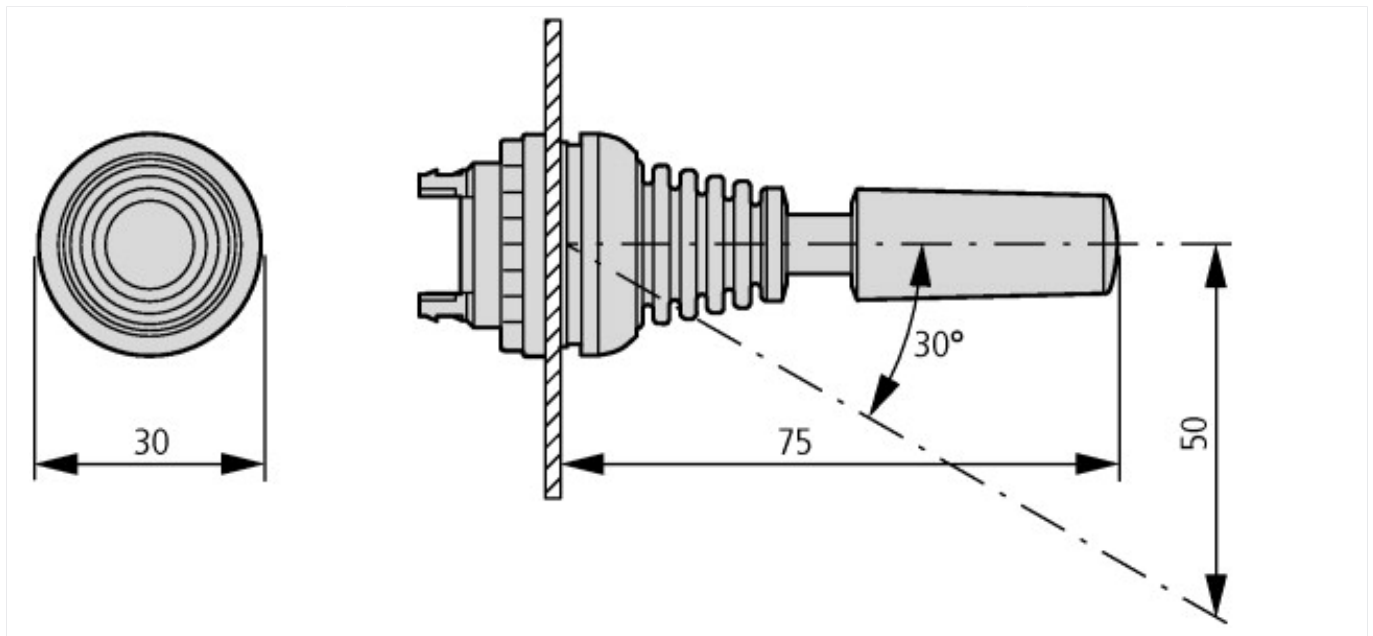
Color bezel			Chrome
Analog output signal configurable			No
Number of actuation directions			4
Number of N/Cs per actuation direction			0
Number of switch levels			1
Joy stick length		mm	75
Number of changeover contacts per direction			0
Rated operation current I <sub>e</sub> at AC-21		A	0
Protection type (IP)			IP66
With bezel			YES
Central mounting, hole diameter		mm	22.5
Material front ring			Insulated material
Number of N/Os per actuation direction			0
Interlock in 0-position			No
With retraction in 0-position			YES

## CAD-Data

Product standards CAD data:

<http://eaton-moeller.partcommunity.com>

## Dimensions



## Additional product information (links)

IL04716002Z (AWA1160-1745) RMQ-Titan System	<a href="ftp://ftp.moeller.net/DOCUMENTATION/AWA_INSTRUCTIONS/IL04716002Z2011_03.pdf">ftp://ftp.moeller.net/DOCUMENTATION/AWA_INSTRUCTIONS/IL04716002Z2011_03.pdf</a>
<b>Engineering</b>	
Key to part numbers	<a href="ftp://ftp.moeller.net/DOCUMENTATION/PDF/GB/TYPENSCHLUESSEL_RM-Q-TITAN_de.pdf">ftp://ftp.moeller.net/DOCUMENTATION/PDF/GB/TYPENSCHLUESSEL_RM-Q-TITAN_de.pdf</a>
Engineering	<a href="ftp://ftp.moeller.net/DOCUMENTATION/PDF/GB/PRO_RM-Q-Titan_D_de.pdf">ftp://ftp.moeller.net/DOCUMENTATION/PDF/GB/PRO_RM-Q-Titan_D_de.pdf</a>
Ordering example for custom complete units	<a href="ftp://ftp.moeller.net/DOCUMENTATION/PDF/GB/Bestellbeispiel_F0315_COMBINATION_de.pdf">ftp://ftp.moeller.net/DOCUMENTATION/PDF/GB/Bestellbeispiel_F0315_COMBINATION_de.pdf</a>
Order form for custom complete units	<a href="ftp://ftp.moeller.net/DOCUMENTATION/PDF/GB/Form_F0315_Combination_de.pdf">ftp://ftp.moeller.net/DOCUMENTATION/PDF/GB/Form_F0315_Combination_de.pdf</a>