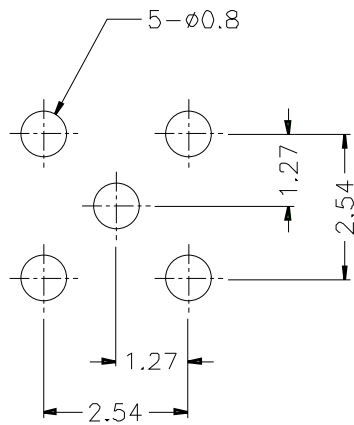
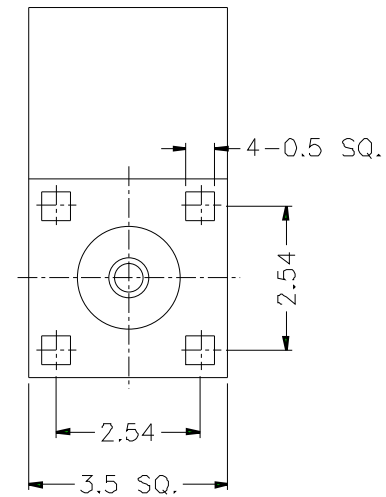
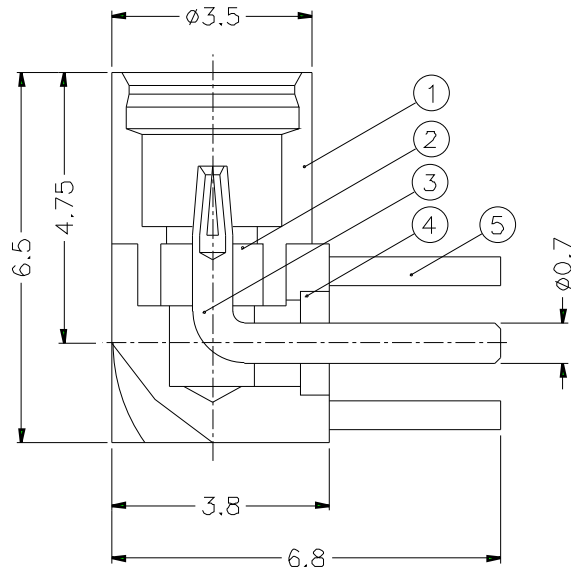


REVISIONS		
ISS	ZONE	DESCRIPTION\PER REQUEST\DATE



PCB MOUNTING HOLE



NOTES: FINISH (PLATING THICKNESS IN MICRO-INCHES)

- 1. BRASS PER QQ-B-626
- 2. GOLD PL. 3 MIN. THICK OVER NICKEL PL. 100 MIN. THICK OVER COPPER STRIKE
- 3. BERYLLIUM COPPER PER QQ-C-530
- 4. GOLD PL. 30 MIN. THICK OVER NICKEL PL. 100 MIN. THICK OVER COPPER STRIKE
- 5. TEFLON MIL-P-1946B

5	HOUSING	NOTE 1	NOTE 2	1	MMCX6252N1-5-B	DIMENSIONS ARE IN MILLIMETERS UNLESS OTHERWISE SPECIFIED TOLERANCES 0.5-6 = ±0.2 6-30 = ±0.4 30-120 = ±0.6 120-315 = ±1 315-1000 = ±1.6 1000-2000 = ±2.4	PART NO. MMCX6252N1-3GT30G-50		<div style="text-align: center; font-size: 2em; font-weight: bold;">Amphenol</div>		
4	INSULATOR	NOTE 5	NATURAL	1	MMCX6252N1-4T-50		APPROVED	DATE		10-11-01'	TITLE
3	CONTACT PIN	NOTE 3	NOTE 4	1	MMCX6252N1-3		CHECKED	DATE		10-11-01'	MMCX R/A P.C. MOUNT JACK
2	INSULATOR	NOTE 5	NATURAL	1	MMCX6252N1-2T-50		DRAWN	DATE		10-11-01'	DRAWING NO.
1	BODY	NOTE 1	NOTE 2	1	MMCX6252N1-1-B						KJ-MMCX6252N1-3GT30G-50
NO.	DESCRIPTION	MATERIAL	FINISH	Q'TY	DRAWING NO.	SCALE	8/1	ISSUE	A	FILE NO.	ITEM NO.