

- 1
- 2
- 3
- 4
- 5
- 6
- 7
- 8
- 9
- 10
- 11
- 12
- 13
- 14
- 15
- 16
- 17
- 18

STANDARD EXECUTIONS

- **LMR-AS:** zinc-plated steel base, threaded stem and nut. Steel set screw clamped by means of glue.
- **LMR-AS-SST:** AISI 304 stainless steel base and nut. AISI 303 stainless steel threaded stem. Stainless steel set screw clamped by means of glue.

NO-SLIP DISK

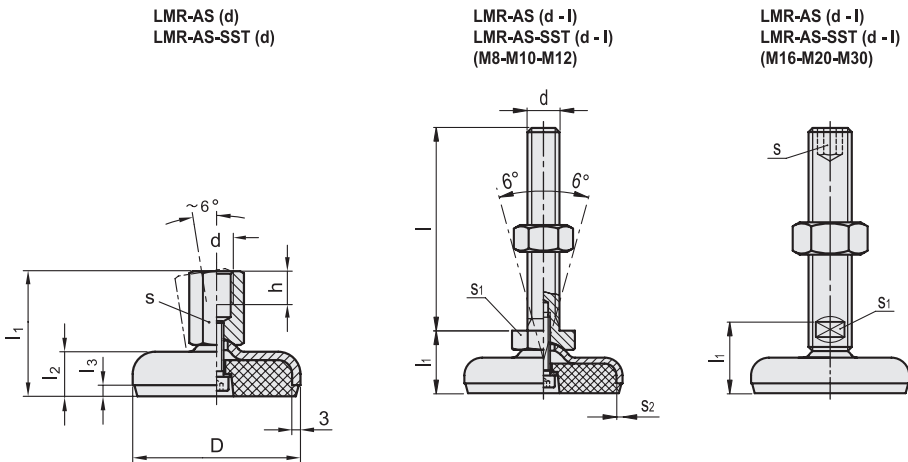
NBR rubber (PERBUNAN), hardness 80±5 Shore A, black colour. Stainless steel washer and set screw, clamped by means of glue.

FEATURES

The fixing of the rubber to the cavity of the base by means of a screw avoids the infiltration of solid or liquid substances.

TECHNICAL DATA

In cases where the load values as shown in the table are exceeded, a deformation of the base can occur.



LMR-AS (d)

LMR-AS-SST (d)



Code	Description	D	d	l1	l2	l3	h	s	Max. limit static load [N]	⚖️	Code	Description	Max. limit static load [N]	⚖️
406301	LMR.50-AS-M8	50	M8	37	14.5	3.5	8	14	8000	110	408301	LMR.50-AS-SST-M8	8000	111
406303	LMR.50-AS-M10	50	M10	40	14.5	3.5	10	14	8000	110	408303	LMR.50-AS-SST-M10	8000	114
406400	LMR.60-AS-M8	60	M8	38	16	4	8	14	13000	140	408400	LMR.60-AS-SST-M8	13000	141
406401	LMR.60-AS-M10	60	M10	41	16	4	10	14	13000	160	408401	LMR.60-AS-SST-M10	13000	162
406403	LMR.60-AS-M12	60	M12	45	16	4	12	17	13000	180	408403	LMR.60-AS-SST-M12	13000	182
406500	LMR.80-AS-M10	80	M10	43	18	5	10	14	12000	300	408500	LMR.80-AS-SST-M10	15000	303
406501	LMR.80-AS-M12	80	M12	47	18	5	12	17	12000	310	408501	LMR.80-AS-SST-M12	15000	313
406503	LMR.80-AS-M16	80	M16	52	18	5	16	22	12000	300	408503	LMR.80-AS-SST-M16	15000	303
406600	LMR.100-AS-M12	100	M12	49	20	6	12	17	11000	390	408600	LMR.100-AS-SST-M12	17000	394
406601	LMR.100-AS-M16	100	M16	54	20	6	16	22	11000	460	408601	LMR.100-AS-SST-M16	17000	465
406603	LMR.100-AS-M20	100	M20	62	20	6	20	27	11000	490	408603	LMR.100-AS-SST-M20	17000	495

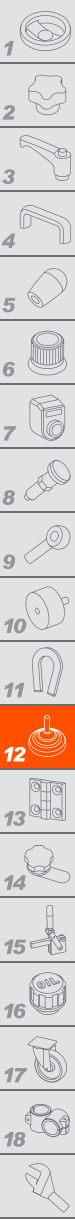
Levelling feet and supports

LMR-AS (d - l)

LMR-AS-SST (d - l)



Code	Description	D	d	l	l1	l2	l3	s	s1	s2	Max. limit static load [N]	Δ	Code	Description	Max. limit static load [N]	Δ
406311	LMR-50-AS-M8x40	50	M8	40	23	14.5	3.5	-	17	3	8000	95	408311	LMR-50-AS-SST-M8x40	8000	96
406313	LMR-50-AS-M8x50	50	M8	50	23	14.5	3.5	-	17	3	8000	105	408313	LMR-50-AS-SST-M8x50	8000	106
406315	LMR-50-AS-M10x50	50	M10	50	23	14.5	3.5	-	17	3	10000	130	408315	LMR-50-AS-SST-M10x50	14000	131
406317	LMR-50-AS-M10x60	50	M10	60	23	14.5	3.5	-	17	3	10000	140	408317	LMR-50-AS-SST-M10x60	14000	141
406319	LMR-50-AS-M10x80	50	M10	80	23	14.5	3.5	-	17	3	10000	155	408319	LMR-50-AS-SST-M10x80	14000	157
406321	LMR-50-AS-M12x60	50	M12	60	23	14.5	3.5	-	17	3	12000	140	408321	LMR-50-AS-SST-M12x60	20000	141
406323	LMR-50-AS-M12x80	50	M12	80	23	14.5	3.5	-	17	3	12000	160	408323	LMR-50-AS-SST-M12x80	20000	162
406325	LMR-50-AS-M12x100	50	M12	100	23	14.5	3.5	-	17	3	12000	180	408325	LMR-50-AS-SST-M12x100	20000	182
406332	LMR-50-AS-M16x75	50	M16	75	29	14.5	3.5	8	12	3	16000	232	408332	LMR-50-AS-SST-M16x75	28000	234
406334	LMR-50-AS-M16x100	50	M16	100	29	14.5	3.5	8	12	3	16000	265	408334	LMR-50-AS-SST-M16x100	28000	268
406336	LMR-50-AS-M16x125	50	M16	125	29	14.5	3.5	8	12	3	16000	305	408336	LMR-50-AS-SST-M16x125	28000	308
406338	LMR-50-AS-M16x150	50	M16	150	29	14.5	3.5	8	12	3	16000	340	408338	LMR-50-AS-SST-M16x150	28000	343
406411	LMR-60-AS-M8x40	60	M8	40	24	16	4	-	17	3	8000	140	408411	LMR-60-AS-SST-M8x40	8000	141
406413	LMR-60-AS-M8x50	60	M8	50	24	16	4	-	17	3	8000	150	408413	LMR-60-AS-SST-M8x50	8000	152
406415	LMR-60-AS-M10x50	60	M10	50	24	16	4	-	17	3	10000	170	408415	LMR-60-AS-SST-M10x50	14000	172
406417	LMR-60-AS-M10x60	60	M10	60	24	16	4	-	17	3	10000	180	408417	LMR-60-AS-SST-M10x60	14000	182
406419	LMR-60-AS-M10x80	60	M10	80	24	16	4	-	17	3	10000	190	408419	LMR-60-AS-SST-M10x80	14000	192
406421	LMR-60-AS-M12x60	60	M12	60	24	16	4	-	17	3	12000	215	408421	LMR-60-AS-SST-M12x60	20000	217
406423	LMR-60-AS-M12x80	60	M12	80	24	16	4	-	17	3	12000	216	408423	LMR-60-AS-SST-M12x80	20000	218
406425	LMR-60-AS-M12x100	60	M12	100	24	16	4	-	17	3	12000	220	408425	LMR-60-AS-SST-M12x100	20000	222
406432	LMR-60-AS-M16x75	60	M16	75	30	16	4	8	12	3	16000	240	408432	LMR-60-AS-SST-M16x75	28000	242
406434	LMR-60-AS-M16x100	60	M16	100	30	16	4	8	12	3	16000	315	408434	LMR-60-AS-SST-M16x100	28000	318
406436	LMR-60-AS-M16x125	60	M16	125	30	16	4	8	12	3	16000	350	408436	LMR-60-AS-SST-M16x125	28000	354
406438	LMR-60-AS-M16x150	60	M16	150	30	16	4	8	12	3	16000	390	408438	LMR-60-AS-SST-M16x150	28000	394
406511	LMR-80-AS-M10x50	80	M10	50	26	18	5	-	17	3	10000	280	408511	LMR-80-AS-SST-M10x50	14000	283
406513	LMR-80-AS-M10x60	80	M10	60	26	18	5	-	17	3	10000	290	408513	LMR-80-AS-SST-M10x60	14000	293
406515	LMR-80-AS-M10x80	80	M10	80	26	18	5	-	17	3	10000	310	408515	LMR-80-AS-SST-M10x80	14000	313
406517	LMR-80-AS-M12x60	80	M16	75	26	18	5	-	17	3	12000	325	408517	LMR-80-AS-SST-M12x60	19000	328
406519	LMR-80-AS-M12x80	80	M16	75	26	18	5	-	17	3	12000	327	408519	LMR-80-AS-SST-M12x80	19000	330
406521	LMR-80-AS-M12x100	80	M16	75	26	18	5	-	17	3	12000	330	408521	LMR-80-AS-SST-M12x100	19000	333
406532	LMR-80-AS-M16x75	80	M16	75	32	18	5	8	12	3	12000	365	408532	LMR-80-AS-SST-M16x75	19000	369
406534	LMR-80-AS-M16x100	80	M16	100	32	18	5	8	12	3	12000	430	408534	LMR-80-AS-SST-M16x100	19000	434
406536	LMR-80-AS-M16x125	80	M16	125	32	18	5	8	12	3	12000	465	408536	LMR-80-AS-SST-M16x125	19000	470
406538	LMR-80-AS-M16x150	80	M16	150	32	18	5	8	12	3	12000	495	408538	LMR-80-AS-SST-M16x150	19000	500
406552	LMR-80-AS-M20x75	80	M20	75	33	18	5	10	15	3	12000	470	408552	LMR-80-AS-SST-M20x75	19000	475
406554	LMR-80-AS-M20x100	80	M20	100	33	18	5	10	15	3	12000	525	408554	LMR-80-AS-SST-M20x100	19000	530
406556	LMR-80-AS-M20x125	80	M20	125	33	18	5	10	15	3	12000	570	408556	LMR-80-AS-SST-M20x125	19000	576
406558	LMR-80-AS-M20x150	80	M20	150	33	18	5	10	15	3	12000	635	408558	LMR-80-AS-SST-M20x150	19000	641
406572	LMR-80-AS-M24x100	80	M24	100	36	18	5	12	19	3	12000	660	408572	LMR-80-AS-SST-M24x100	19000	667
406574	LMR-80-AS-M24x125	80	M24	125	36	18	5	12	19	3	12000	700	408574	LMR-80-AS-SST-M24x125	19000	707
406576	LMR-80-AS-M24x150	80	M24	150	36	18	5	12	19	3	12000	800	408576	LMR-80-AS-SST-M24x150	19000	808
406611	LMR-100-AS-M12x60	100	M12	60	28	20	6	-	17	3	11000	440	408611	LMR-100-AS-SST-M12x60	17000	444
406613	LMR-100-AS-M12x80	100	M12	80	28	20	6	-	17	3	11000	490	408613	LMR-100-AS-SST-M12x80	17000	495
406615	LMR-100-AS-M12x100	100	M12	100	28	20	6	-	17	3	11000	540	408615	LMR-100-AS-SST-M12x100	17000	545
406632	LMR-100-AS-M16x75	100	M16	75	34	20	6	8	12	3	11000	480	408632	LMR-100-AS-SST-M16x75	17000	485
406634	LMR-100-AS-M16x100	100	M16	100	34	20	6	8	12	3	11000	560	408634	LMR-100-AS-SST-M16x100	17000	566
406636	LMR-100-AS-M16x125	100	M16	125	34	20	6	8	12	3	11000	605	408636	LMR-100-AS-SST-M16x125	17000	611
406638	LMR-100-AS-M16x150	100	M16	150	34	20	6	8	12	3	11000	635	408638	LMR-100-AS-SST-M16x150	17000	641
406652	LMR-100-AS-M20x75	100	M20	75	35	20	6	10	15	3	11000	600	408652	LMR-100-AS-SST-M20x75	17000	606
406654	LMR-100-AS-M20x100	100	M20	100	35	20	6	10	15	3	11000	665	408654	LMR-100-AS-SST-M20x100	17000	672
406656	LMR-100-AS-M20x125	100	M20	125	35	20	6	10	15	3	11000	700	408656	LMR-100-AS-SST-M20x125	17000	707
406658	LMR-100-AS-M20x150	100	M20	150	35	20	6	10	15	3	11000	760	408658	LMR-100-AS-SST-M20x150	17000	768
406672	LMR-100-AS-M24x100	100	M24	100	38	20	6	12	19	3	11000	800	408672	LMR-100-AS-SST-M24x100	17000	808
406674	LMR-100-AS-M24x125	100	M24	125	38	20	6	12	19	3	11000	900	408674	LMR-100-AS-SST-M24x125	17000	909
406676	LMR-100-AS-M24x150	100	M24	150	38	20	6	12	19	3	11000	960	408676	LMR-100-AS-SST-M24x150	17000	970
406681	LMR-120-AS-M20x125	120	M20	125	39	22	6	10	15	4	20000	990	408681	LMR-120-AS-SST-M20x125	25000	1000
406683	LMR-120-AS-M20x150	120	M20	150	39	22	6	10	15	4	20000	1040	408683	LMR-120-AS-SST-M20x150	25000	1050
406685	LMR-120-AS-M24x150	120	M24	150	42	22	6	12	19	4	20000	1240	408685	LMR-120-AS-SST-M24x150	25000	1252
406687	LMR-120-AS-M24x200	120	M24	200	42	22	6	12	24	4	20000	1400	408687	LMR-120-AS-SST-M24x200	25000	1414
406689	LMR-120-AS-M30x150	120	M30	150	46	22	6	12	24	4	20000	1640	408689	LMR-120-AS-SST-M30x150	25000	1656
406691	LMR-120-AS-M30x200	120	M30	200	46	22	6	12	24	4	20000	1800	408691	LMR-120-AS-SST-M30x200	25000	1818



Levelling feet and supports