

SIMONWORK BT1 BOX 1200



144,5 x 151 x 76 cm
56.9" x 59.4" x 29.9"

5 Años Garantía
 Years Guarantee
 Jahre Garantie
 Ans Garantie
 Anos de Garantía
SIMONRACK



- | | | | | | |
|---|--------------------------------|---|-----------------------|---------------------------------|---|
| 2 x
144 cm
56.7" | 2 x
84 cm
33.1" | 1 x
MDF
75x150 cm
29.5"x59.1"
1 x
40x150 cm
15.7"x59.1" | 4 x
75 cm
29.5" | 3 x
150 cm
59.1" | 6 x
9,5x19 cm
3.7"x7.5" |
| 1 x
150 cm
59.1"
1 x
75 cm
29.5" | 3 x
150x20 cm
59.1"x7.9" | 6 x | 2 x | 2 x
60 cm
(22.8")
10 x | 1 x
35 kg
(80 lb)
56x137 cm
22.0"x53.9" |



Simon Rack
 SINCE 1964 - MANUFACTURER

ESTANTERIAS SIMON S.L. B.50.556.463
 PG. ALFAMEN C/ POLIGONO C. Nº3
 ALFAMEN (ZARAGOZA)

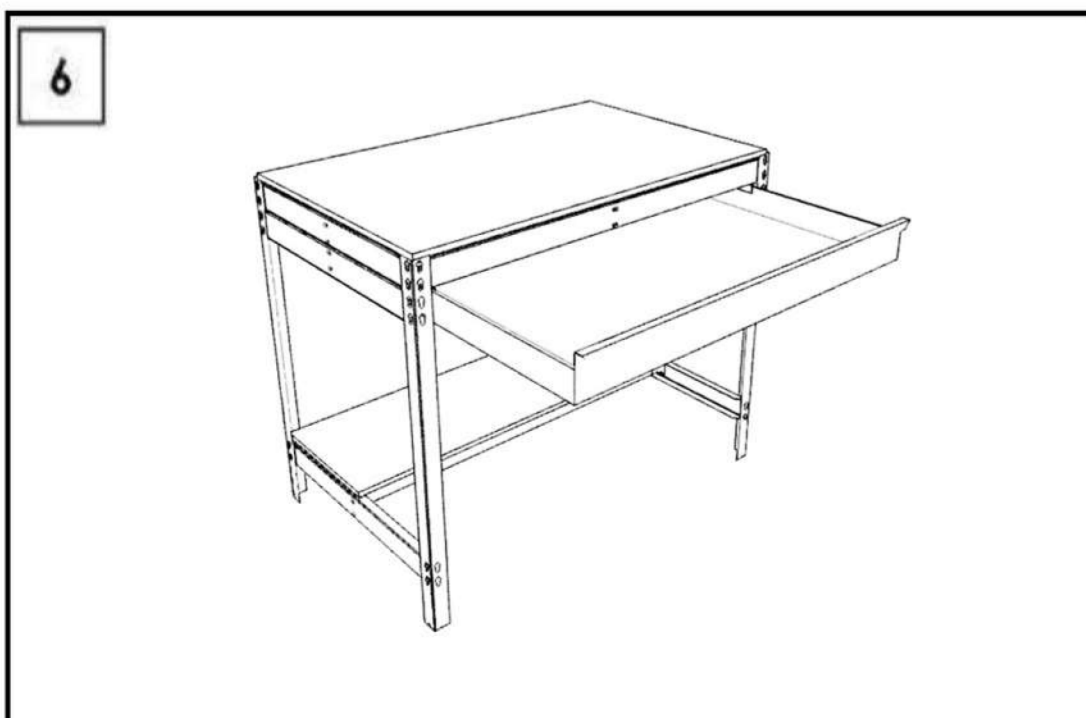
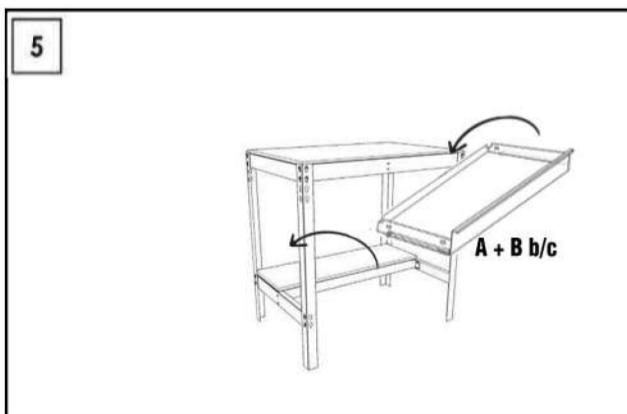
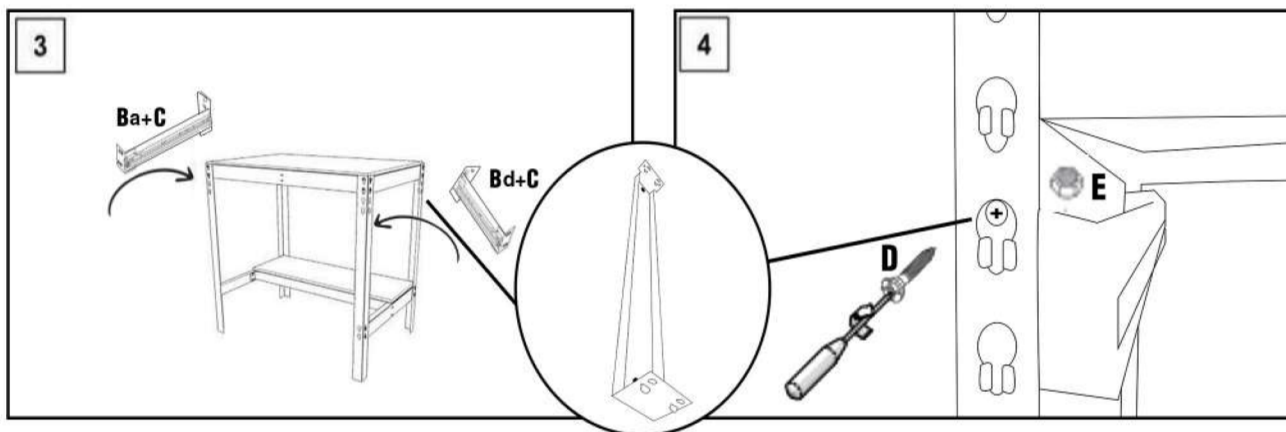
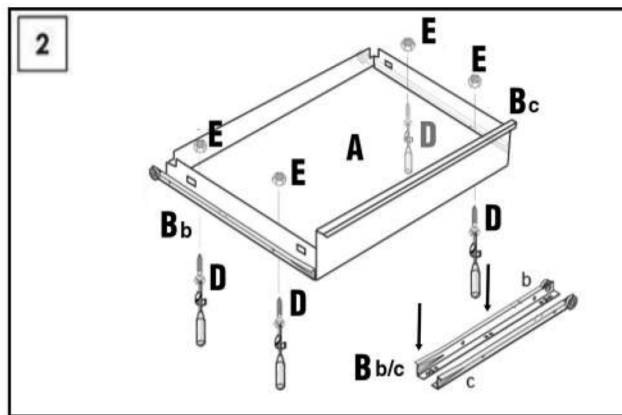
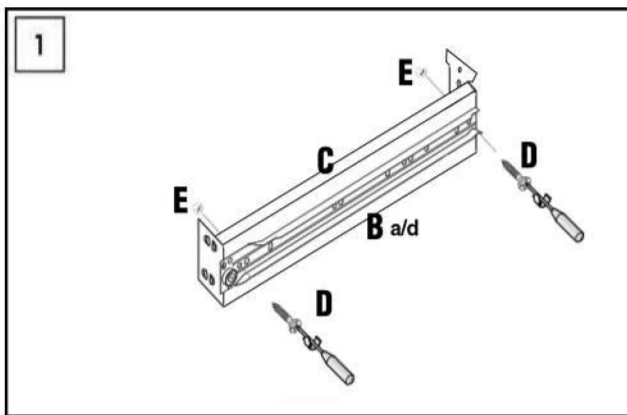
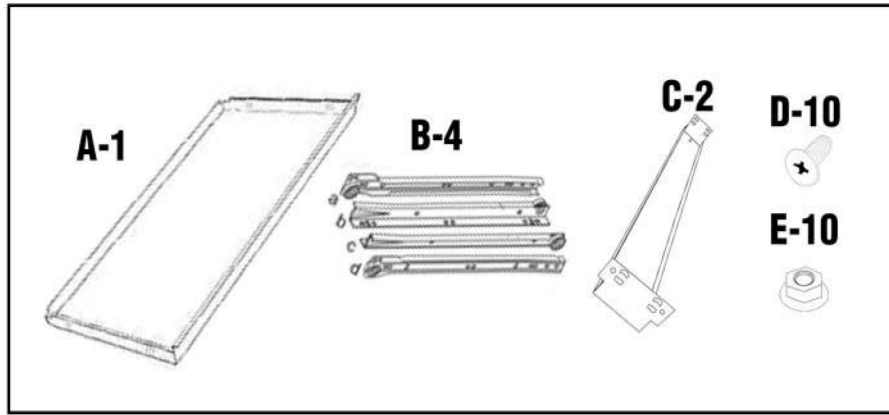
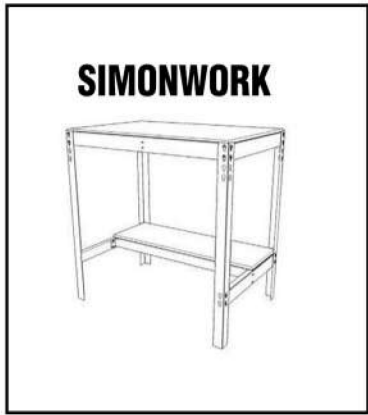


www.simonrack.com



INSTRUCCIONES
 INSTRUCTIONS
 ANLEITUNG
 INSTRUCTIONS

BOX BT0-BT5



SIMONCLASSIC



SIMONCLICK



SIMONTALLER



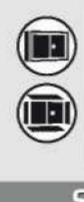
SIMONAUTO



SIMONWORK



SIMONLOCKER



SIMONOFFICE



SIMONHOME



SIMONGARDEN



SIMONINDUSTRIAL



ALTILLOS Y PASILLOS ELEVADOS
PLATFORMS AND MEZZANINES
LAGERBÜHNEN • PLATES-FORMES ET MEZZANINES



* Kg / lb per bandeja con carga uniformemente repartida
Kg / lb per shelf uniformly distributed load
Kg / lb pro fach bei gleichmäßig verteilter last
Kg / lb par plateau avec charge uniformément répartie

