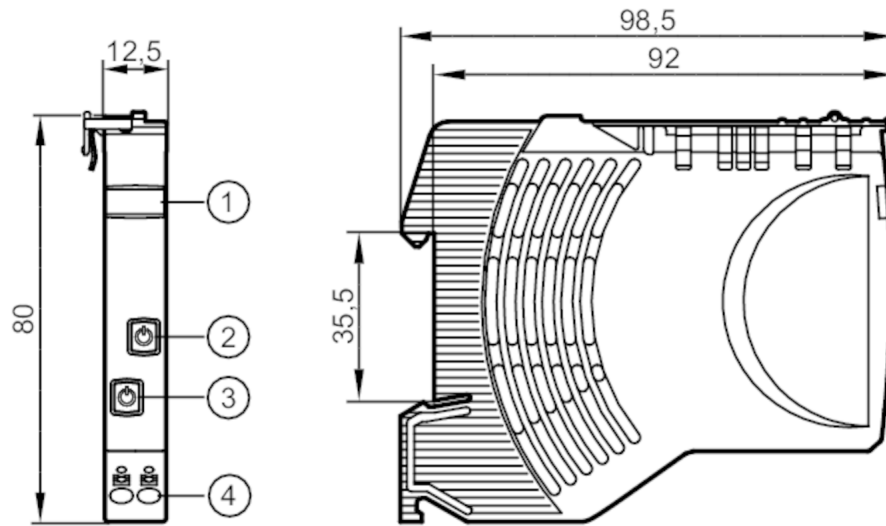


# DF2216



## Electronic circuit breaker

Fuse/IO-Link/24VDC/2x6A



- 1 panel for labelling
- 2 pushbutton on / off / reset status LED 2
- 3 pushbutton on / off / reset status LED 1
- 4 push-in terminals Outputs 1/2



| Electrical data                                     |                       |                           |
|---|-----------------------|---------------------------|
| Operating voltage [V]                               | to SELV/PELV          |                           |
| Nominal voltage DC [V]                              | 24                    |                           |
| Input voltage DC [V]                                | 19.2...30             |                           |
| Protection class                                    | III                   |                           |
| Mains buffering time (nominal voltage 24 V DC) [ms] | 10                    |                           |
| Closed-circuit current [mA]                         | 8                     |                           |
| Number of channels                                  | 2                     |                           |
| Nominal current (Fail Safe Element) [A]             | 6                     |                           |
| Outputs   |                       |                           |
| Load capacitance, total [mF]                        | 20                    |                           |
| Operating conditions                                |                       |                           |
| Ambient temperature [°C]                            | -25...60              |                           |
| Storage temperature [°C]                            | -40...70              |                           |
| Protection  | IP 20; (on the front) |                           |
| Degree of soiling                                   | 2                     |                           |
| Tests / approvals                                   |                       |                           |
| EMC   | EN 61000-6-3          | radiation of interference |
|   | EN 61000-6-2          | immunity                  |
| Mechanical data                                     |                       |                           |
| Weight [g]  | 73                    |                           |
| Dimensions [mm]                                     | 80 x 12.5 x 98.5      |                           |

# DF2216



## Electronic circuit breaker

Fuse/IO-Link/24VDC/2x6A

### Displays / operating elements

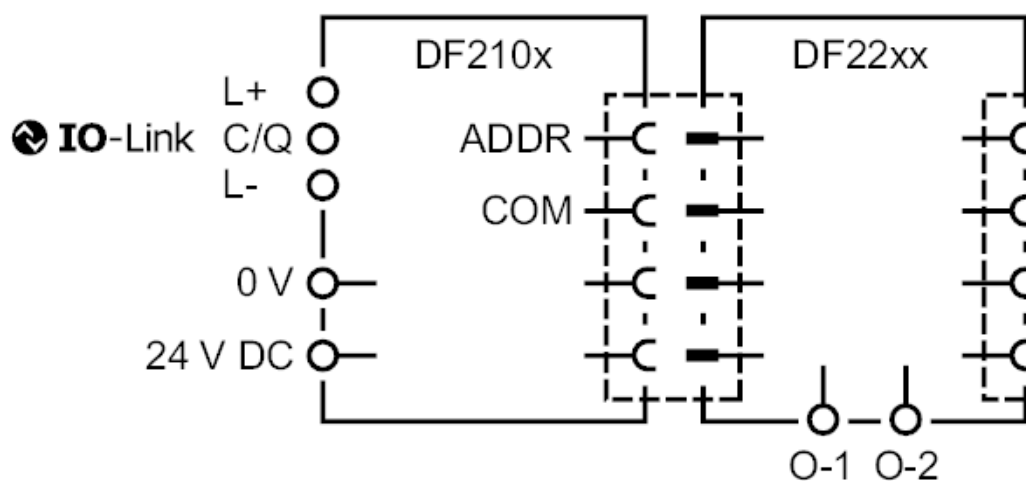
|                    |        |                               |
|--------------------|--------|-------------------------------|
| Display            | status | 2 x LED, red / green / orange |
| Operating elements | 2 x    | pushbutton                    |

### Electrical connection

push-in terminals:

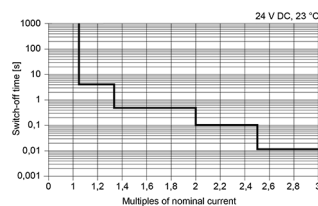
contact lever/strip:

### Connection



### Diagrams and graphs

output characteristics



time-current characteristics