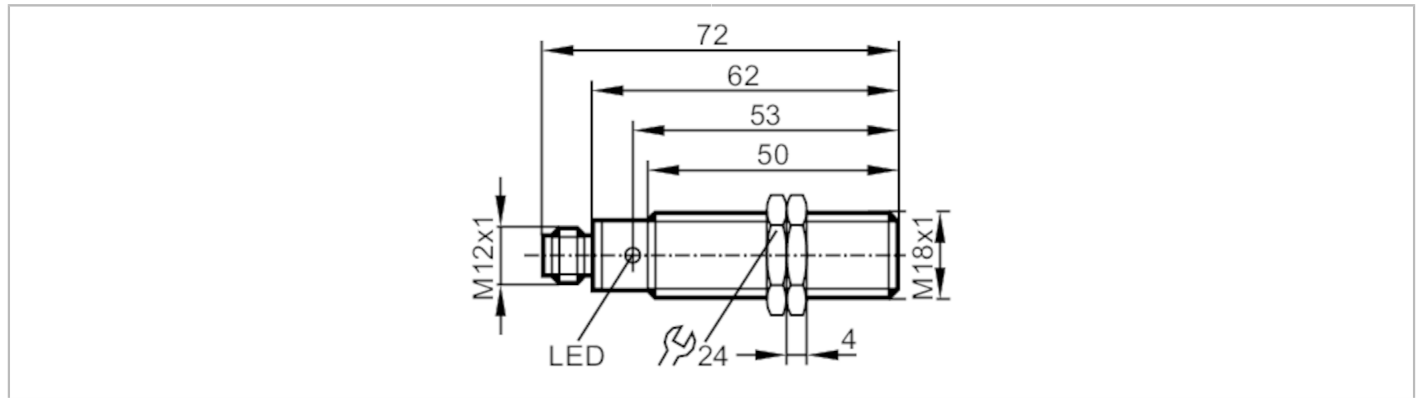




## Inductive sensor

IGK2008BFRKG/US-100-IRF



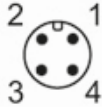
Product characteristics	
Electrical design	PNP/NPN
Output function	normally open / normally closed; (selectable)
Sensing range [mm]	8
Housing	threaded type
Dimensions [mm]	M18 x 1 / L = 72
Application	
Special feature	Increased sensing range
Electrical data	
Operating voltage [V]	10...55 DC
Protection class	II
Reverse polarity protection	yes
Outputs	
Electrical design	PNP/NPN
Output function	normally open / normally closed; (selectable)
Max. voltage drop switching output DC [V]	4.6
Minimum load current [mA]	4
Max. leakage current [mA]	0.8
Permanent current rating of switching output DC [mA]	400
Switching frequency DC [Hz]	250
Short-circuit protection	yes
Type of short-circuit protection	pulsed
Overload protection	yes
Detection zone	
Sensing range [mm]	8
Operating distance [mm]	0...6.48
Increased sensing range	yes

# IG5958



## Inductive sensor

IGK2008BFRKG/US-100-IRF

Accuracy / deviations		
Correction factor	steel: 1 / stainless steel: 0.7 / brass: 0.4 / aluminium: 0.3 / copper: 0.2	
Hysteresis	[% of Sr]	1...15
Operating conditions		
Ambient temperature	[°C]	-25...70
Protection		IP 67
Tests / approvals		
EMC	EN 60947-5-2	
	EN 55011	class B
MTTF	[years]	1806
Mechanical data		
Weight	[g]	61
Housing		threaded type
Mounting		flush mountable
Dimensions	[mm]	M18 x 1 / L = 72
Thread designation		M18 x 1
Materials		brass white bronze coated; CO-PC
Displays / operating elements		
Display	switching status	1 x LED, yellow
Accessories		
Accessories (supplied)		lock nuts: 2
Remarks		
Pack quantity		1 pcs.
Electrical connection - plug		
Connector: 1 x M12		
		

# IG5958

## Inductive sensor

IGK2008BFRKG/US-100-IRF

