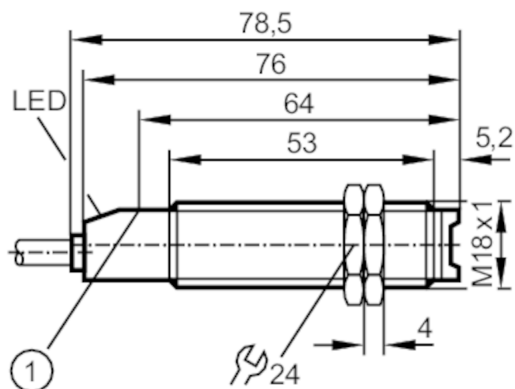




Retro-reflective sensor

OGP-HBOA



1 pushbutton



Product characteristics

Type of light	red light
Housing	threaded type
Dimensions [mm]	M18 x 1 / L = 78.5

Application

Special feature	polarisation filter
Function principle	Retro-reflective sensor

Electrical data

Frequency AC [Hz]	47...63
Operating voltage [V]	20...250 AC/DC
Protection class	II
Reverse polarity protection	no
Type of light	red light
Wave length [nm]	660



Retro-reflective sensor

OGP-HBOA

Outputs		
Output function		light-on mode
Max. voltage drop switching output DC [V]		8
Max. voltage drop switching output AC [V]		8
Minimum load current [mA]		5
Max. leakage current [mA]		1.7
Permanent current rating of switching output AC [mA]		90; (180 (...40 °C))
Permanent current rating of switching output DC [mA]		90; (180 (...40 °C))
Short-time current rating of switching output [mA]		600; (20 ms / 0,5 Hz)
Switching frequency AC [Hz]		25
Switching frequency DC [Hz]		25
Short-circuit proof		no
Overload protection		no
Detection zone		
Range referred to prismatic reflector [m]		3; (Prismatic reflector Ø 80 E20005)
Range adjustable		yes
Max. light spot diameter [mm]		262
Light spot dimensions refer to		at maximum range
Polarisation filter available		yes
Operating conditions		
Ambient temperature [°C]		-25...80
Protection		IP 67
Tests / approvals		
EMC		EN 60947-5-2
		EN 55011
		class B
MTTF [years]		339
Mechanical data		
Weight [g]		123
Housing		threaded type
Dimensions [mm]		M18 x 1 / L = 78.5
Thread designation		M18 x 1
Materials		PBT
Lens material		PMMA
Displays / operating elements		
Display	switching status	1 x LED, red
	function	1 x LED, red flashing light
Electrical connection		
Required protection		miniature fuse to IEC60127-2 sheet 1; ≤ 2 A; fast acting
Accessories		
Accessories (supplied)		lock nuts: 2 x

OG0043



Retro-reflective sensor

OGP-HBOA

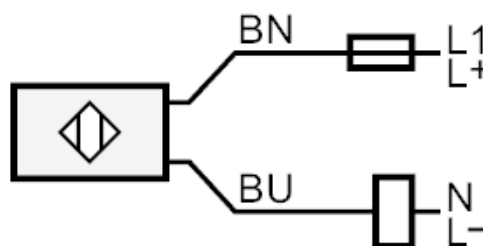
Remarks

Remarks	Recommendation: Check the safe functioning of the unit after a short circuit.
Pack quantity	1 pcs.

Electrical connection

Cable: 2 m, PVC; 2 x 0.5 mm²

Connection



Note : miniature fuse to IEC60127-2 sheet 1 ≤ 2 A fast acting

Core colours :

- BN = brown
- BU = blue



Retro-reflective sensor

OGP-HBOA

Diagrams and graphs

excess gain graph

