

MVP12-V, 8XM12, 4POLE, M23 12POL. CON.

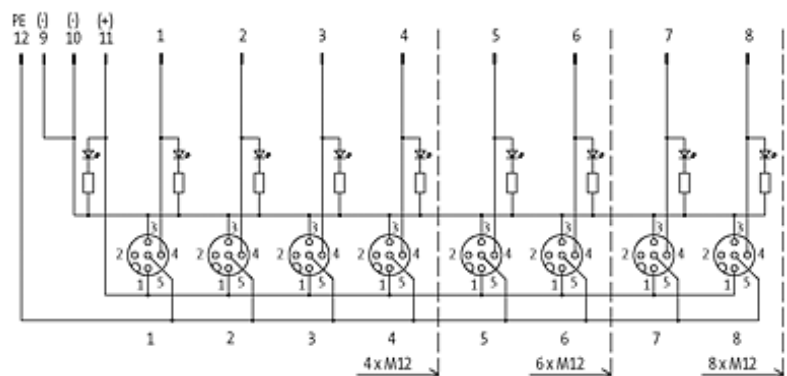
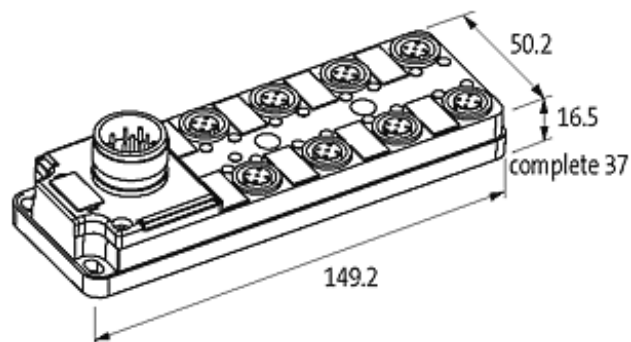
Connector exit frontside

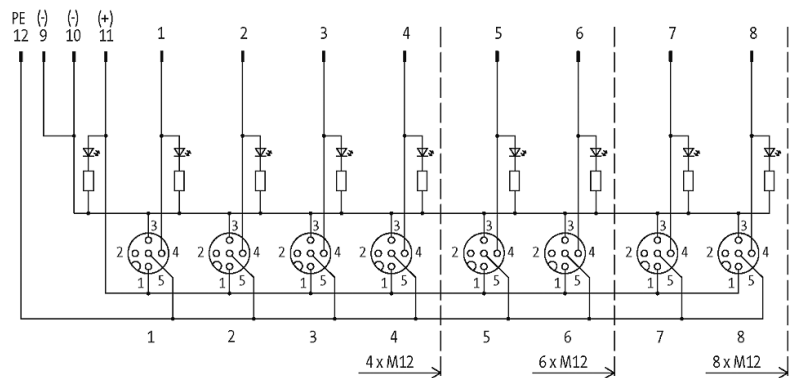
8-way, 4-pole
M23 plug connection
12-pole used
with LED for digital PNP-signals 24 V DC

Plastic housings with good resistance against chemicals and oils. The resistance to aggressive media should be individually tested for your application. Further details on request.

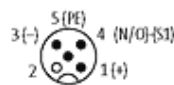
[Link to Product](#)

Illustration

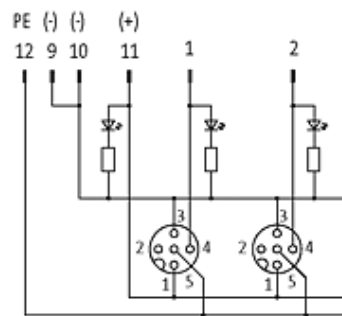




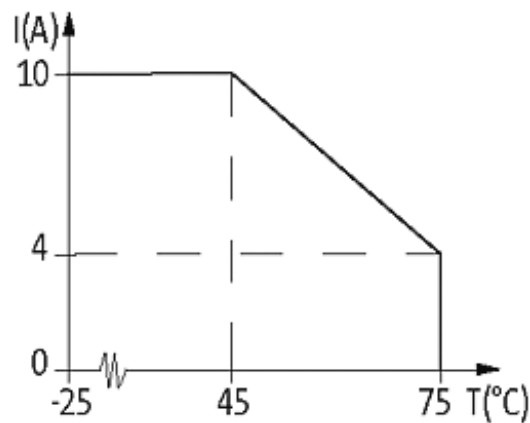
M12-Females 4-pole



M23-Plug



for 1 signal per port



Product may differ from Image

Approvals



Technical Data

The information in this brochure has been compiled with the utmost care. Liability for the correctness completeness and topicality of the information is restricted to gross negligence. Version: 05/15

Operating voltage	24 V DC
Operating current per contact	max. 4 A
Signal per port	1 - (31-32)
Total current	max. 10 A
Housing	Plastic, flame retardant
Protection	IP67 inserted and tightened (EN 60529)
Locking of ports	Screw thread M12 × 1 mm

General data

Temperature range	-20...+80 °C
Dimensions H × W × D	149.2×50.2×16.5 mm

Contact layout

Contact 1	(+)
Contact 3	(-)
Contact 4	(NO)/(S1)
Contact 5	(Earth)
LED display	LED (green): Power / LED (yellow): (S1)

Commercial data

country of origin	DE
customs tariff number	85369010
minimum order quantity	1