

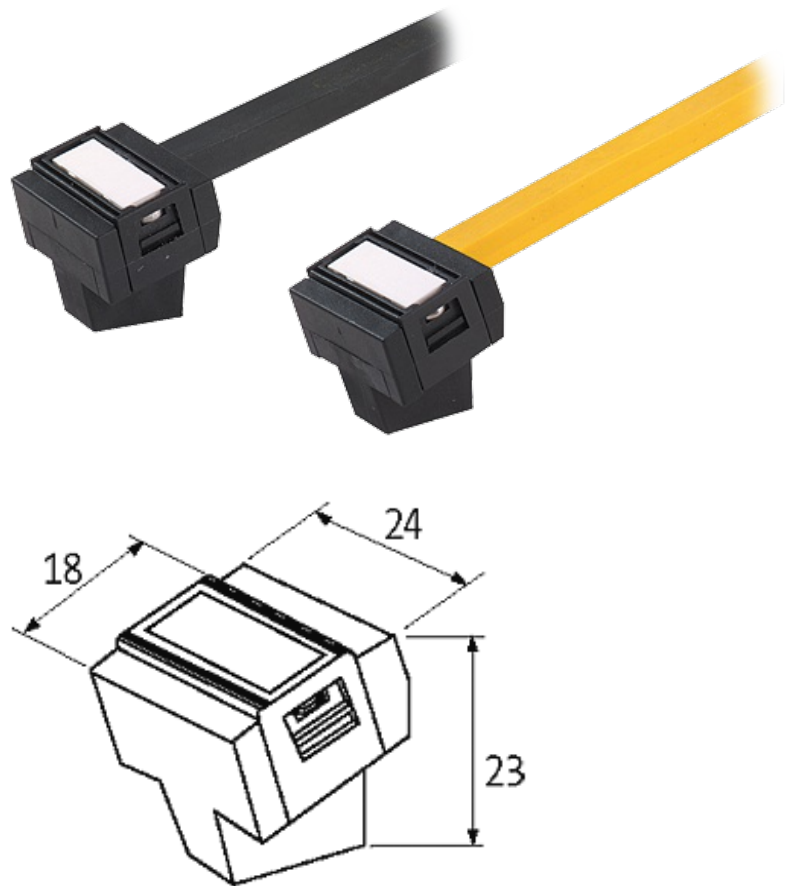
MASI20 INSTALLATION TECHNOL.

Plug terminal for AS-Interface profile cable

Plug terminal (AS-Interface profile cable)
for bus or power distributor

[Link to Product](#)

Illustration



Product may differ from Image

Approvals



Technical Data

Operating voltage	max. 36 V DC
Total current	max. 8 A

General data

Connection	Insulation displacement technology
------------	------------------------------------

The information in this brochure has been compiled with the utmost care.

Liability for the correctness completeness and topicality of the information is restricted to gross negligence. Version: 05/15

Murrelektronik GmbH | Falkenstraße 3, 71570 Oppenweiler | Fon +49 (71 91) 47-0, Fax +49 (71 91) 47-491000 | shop@murrelektronik.de | shop.murrelektronik.de

Temperature range	-20...+70 °C (storage temperature -40...+80 °C)
Dimensions H × W × D	23×24×18 mm

Commercial data

country of origin	DE
customs tariff number	85369010
minimum order quantity	1
