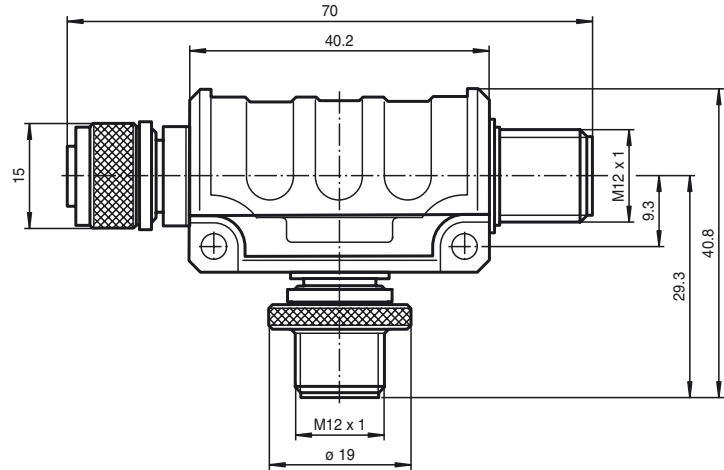




Dimensions



Model Number

ICZ-3T-V15B

T-Distributor for PROFIBUS

Features

- Direct coupling of t-pieces
- Completely screened
- M12 round connection for BUS (B-coded)
- Immunity to vibration
- Data transmission up to 12 Mbaud

Technical data

General specifications

Number of poles	5
Transfer rate	up to 12 MBit/s

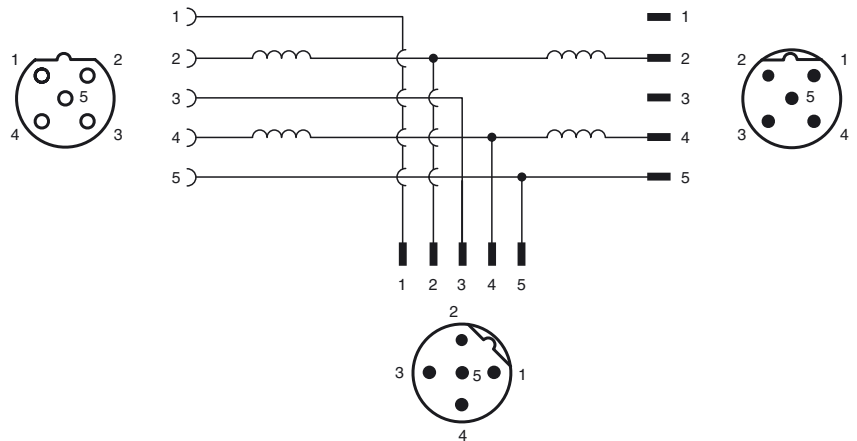
Ambient conditions

Ambient temperature	-40 ... 80 °C (233 ... 353 K) short-time up to 250 °C
---------------------	--

Mechanical specifications

Protection degree	IP67
Connection	M12 connector/socket, 5-pin, B-coded for PROFIBUS
Material	
Contacts	CuZn, gold-plated
Housing	PUR, oil resistant
Slotted nut	CuZn, nickel-plated

Electrical connection



Release date: 2009-06-16 11:11 Date of issue: 2009-06-16 126294_ENG.xml