



Figure similar

SIRIUS MOTOR STARTER M200D AS-I  
 COMMUNICATION: AS-INTERFACE REVERSING  
 STARTER, BASIC MECHANICAL SWITCHING 3 400V  
 AC/5,5KW; 1,5A...12,00A; ELECTR. OVERLOAD  
 PROTECTION; THERMISTOR: THERMOCLICK / PTC  
 WITH BRAKE CONTACT 180V DC 2DI AS-I + 2DI /  
 1DO ON DEVICE HAN Q4/2 - HAN Q8/0 WITH  
 OPERATOR TERMINAL AND KEY-OPERATED  
 SWITCH

General technical data:		
product brand name		SIRIUS
Product designation		motor starter M200D, AS-i Basic
Design of the product		reversing starter
Product function		
• direct start		No
• reverse starting		Yes
• Short circuit protection		Yes
• Bus communication		Yes
Design of the switching contact		electromechanical
Product component Motor brake output		Yes
Trip class		CLASS 10
Type of assignment		1
Product feature		
• brake control with 230 V AC		No
• brake control with 400 V AC		No
• brake control with 24 V DC		No
• brake control with 180 V DC		Yes
• brake control with 500 V DC		No
Product expansion braking module for brake control		No
Surge voltage resistance Rated value	V	6 000
Switch-on delay time	ms	85
OFF-delay time	ms	65
Insulation voltage Rated value	V	500
Active power loss typical	W	30

<b>maximum permissible voltage for safe isolation</b>		
• between main and auxiliary circuit	V	400
• between control and auxiliary circuit	V	24
<b>Equipment marking acc. to DIN EN 61346-2</b>		Q
<b>Mounting type</b>		screw fixing
<b>Width</b>	mm	294
<b>Height</b>	mm	215
<b>Depth</b>	mm	159

<b>Main circuit:</b>		
Operating voltage Rated value	V	360 ... 440
Adjustable response value current of the current-dependent overload release	A	1.5 ... 12
Operating current at AC-3 at 400 V Rated value	A	12
<b>Operating power for three-phase motors at 400 V at 50 Hz</b>	kW	0.55 ... 5.5
Operating power at AC-3		
• at 400 V Rated value	kW	5.5
• at 500 V Rated value	W	5 500
<b>Number of poles for main current circuit</b>		3
<b>Design of short-circuit protection</b>		circuit-breakers
<b>Maximum short-circuit current breaking capacity (Icu)</b>		
• at 400 V Rated value	A	50 000
• at 500 V Rated value	A	50 000
<b>Type of the motor protection</b>		full motor protection

<b>Control circuit/ Control:</b>		
<b>Type of voltage of the control supply voltage</b>		DC
<b>Control supply voltage 1 for DC Rated value</b>	V	24
• minimum permissible	V	20.4
• maximum permissible	V	28.8
<b>Type of electrical connection for auxiliary and control current circuit</b>		connector

<b>Supply voltage:</b>		
<b>Type of voltage of the supply voltage</b>		DC
<b>Supply voltage 1 for DC Rated value</b>		
• maximum permissible	V	31.6
• minimum permissible	V	26.5
<b>Type of electrical connection for supply voltage infeed</b>		M12 plug

<b>Ambient conditions:</b>		
<b>Protection class IP</b>		IP65
<b>Ambient temperature</b>		
• during storage	°C	-40 ... +70

• during operation	°C	-25 ... +55
• during transport	°C	-40 ... +70
Relative humidity during operation	%	10 ... 95
<b>Vibration resistance</b>		7 mm / 2g
<b>Shock resistance</b>		12g / 11 ms
<b>Degree of pollution</b>		3
<b>Installation altitude at height above sea level maximum</b>	m	2 000
<b>mounting position</b>		vertical, horizontal, flat
<b>mounting position recommended</b>		horizontal

#### Communication/ Protocol:

Design of the interface AS-interface protocol		Yes
Protocol is supported AS-interface protocol		Yes
Design of the interface PROFIBUS DP protocol		No
Protocol is supported PROFIBUS DP protocol		No
<b>Product function</b>		
• Control circuit interface with IO link		No
• Control circuit interface to parallel wiring		No
Design of the interface PROFINET protocol		No
Protocol is supported PROFINET protocol		No
Type of electrical connection of the communication interface		M12 plug

#### Connections/ Terminals:

<b>Number of digital inputs</b>		4
<b>Number of digital outputs</b>		1
<b>Number of sockets</b>		
• for digital input signals		4
• for digital output signals		1
<b>Product function</b>		
• digital inputs parameterizable		No
• digital outputs parameterizable		No
<b>Type of electrical connection</b>		
• 1		
— for digital input signals		M12 socket
— for digital output signals		M12 socket
• 2 for digital input signals		M12 socket
• 3 for digital input signals		M12 socket
• 4 for digital input signals		M12 socket
<b>Type of electrical connection</b>		
• at the manufacturer-specific device interface		optical interface
• for device addressing		M12 plug
<b>Product function on-site operation</b>		Yes

## Electromagnetic compatibility:

EMI immunity acc. to IEC 60947-1		corresponds to degree of severity 3, ambience A (industrial sector)
Conducted interference due to burst acc. to IEC 61000-4-4		2 kV network connection / 1 kV control connection
Conducted interference due to conductor-earth surge acc. to IEC 61000-4-5		2 kV
Conducted interference due to conductor-conductor surge acc. to IEC 61000-4-5		1 kV
EMC emitted interference acc. to IEC 60947-1		CISPR11, ambience A (industrial sector)
Certificate of suitability		CE
Protection against electrical shock		finger-safe

## Certificates/ approvals:

General Product Approval	Declaration of Conformity
--------------------------	---------------------------



CCC



CSA



GOST



UL



EG-Konf.

Test Certificates	other
-------------------	-------

[Type Test Certificates/Test Report](#)



ASi

[Environmental Confirmations](#)

## Further information

### Information- and Downloadcenter (Catalogs, Brochures,...)

<http://www.siemens.com/industrial-controls/catalogs>

### Industry Mall (Online ordering system)

<http://www.siemens.com/industrymall>

### Cax online generator

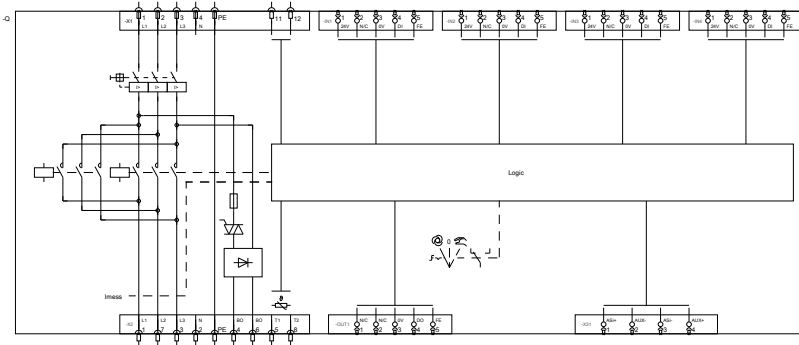
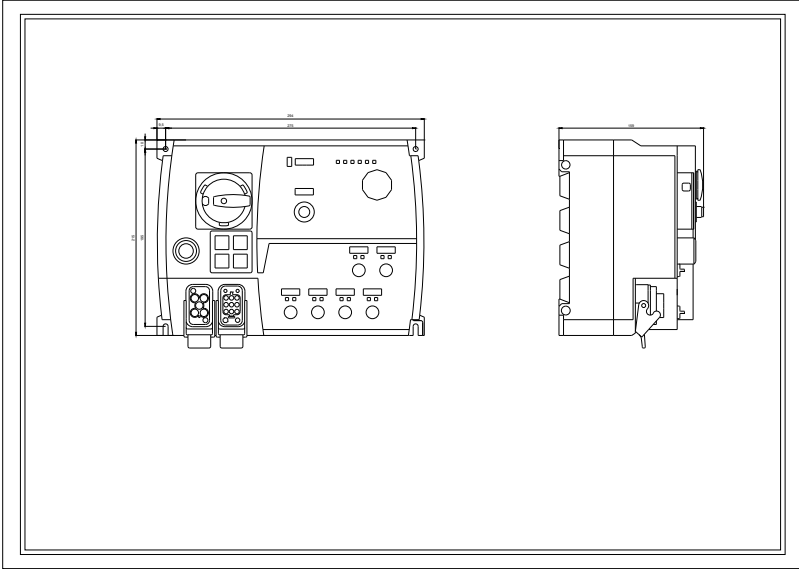
<http://support.automation.siemens.com/WW/CAXorder/default.aspx?lang=en&mlfb=3RK13156LS413AA5>

### Service&Support (Manuals, Certificates, Characteristics, FAQs,...)

<http://support.automation.siemens.com/WW/view/en/3RK13156LS413AA5/all>

### Image database (product images, 2D dimension drawings, 3D models, device circuit diagrams, EPLAN macros, ...)

<http://www.automation.siemens.com/bilddb/index.aspx?attID9=3RK13156LS413AA5&lang=en>



last modified:

17.01.2015