

Barcode Sweep Raster Scanner

FIS-0870-0108 LASER

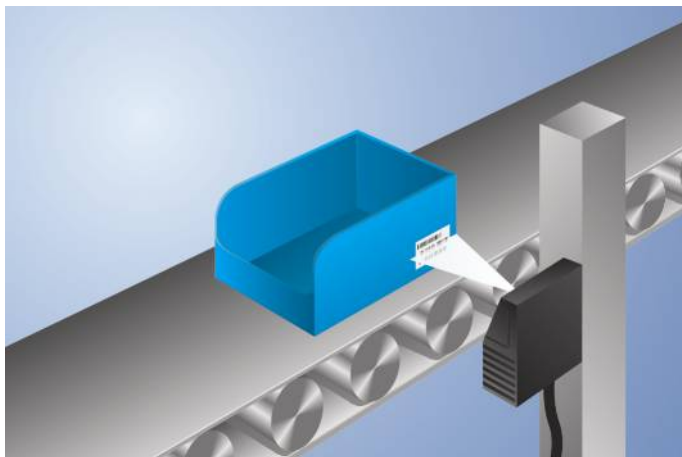
Part Number



- Diagnosis functions
- Integrated code reconstruction
- LED scanning rate indicator
- Maximum oscillation rate: 80 oscillations/second
- Teach-in

This sweep raster scanner is suitable for scanning surface areas. The adjustable path-folding angle of the oscillating mirror allows for ideal adaptation to your application.

The following code types can be processed:
Code39, Interleaved 2 of 5, Code128, Codabar, UPC, PDF417, Code93, AIAG, UCC/EAN-128, Micro PDF, Pharmacode, GS1 Databar.

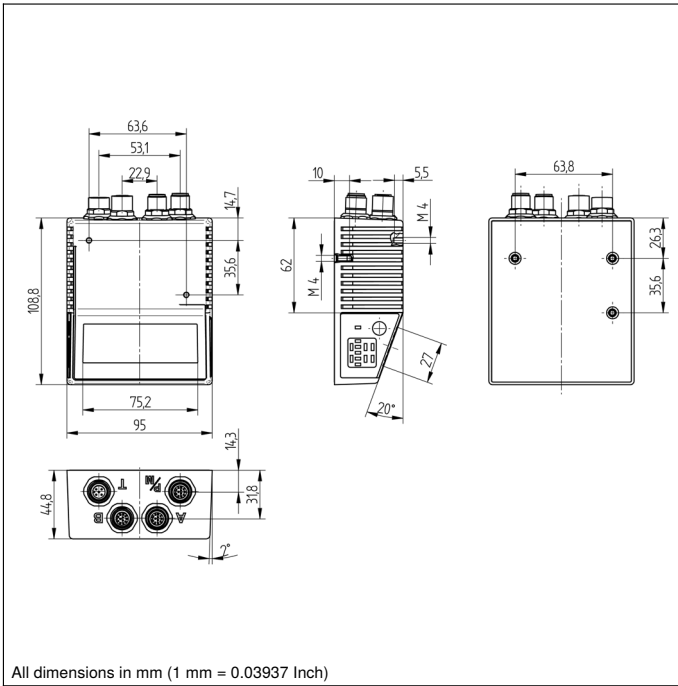


Technical Data

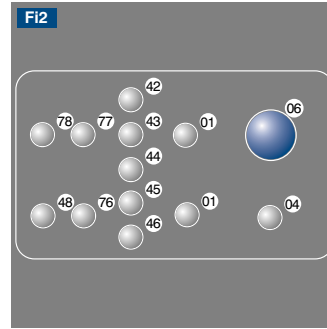
| Optical Data | |
|------------------------------------|------------------------|
| Barcode Density | Medium density |
| Read Range | 25...304 mm |
| Light Source | Laser (red) |
| Wavelength | 655 nm |
| Service Life (T = +25 °C) | 50000 h |
| Laser Class (EN 60825-1) | 2 |
| Max. Ambient Light | 4840 Lux |
| Opening Angle | 60 ° |
| Adjustable Scan Width | yes |
| Barcode Printing Contrast | > 25 % |
| Electrical Data | |
| Supply Voltage | 10...28 V DC |
| Power Consumption | 6480 mW |
| Scan Rate | 300...1400 scans/sec |
| Temperature Range | 0...50 °C |
| Switching Output | Optoisolator |
| Number of Switching Outputs | 3 |
| Switching Output/Switching Current | 100 mA |
| Reverse Polarity Protection | yes |
| Network Possibilities | Daisy Chain, Multidrop |
| Interface | RS-232/422/485 |
| Baud Rate | < 115200 Bd |
| Trigger Input | Optoisolator |
| Signal Input | Optoisolator |
| Number of Signal Inputs | 3 |
| Acoustic signal | yes |
| Protection Class | III |
| FDA Accession Number | 8310057-012 |
| Mechanical Data | |
| Housing Material | Aluminum |
| Weight | 453 g |
| Degree of Protection | IP65 |
| Connection | M12 × 1; 12-pin |
| PNP NO/NC switchable | ● |
| NPN NO/NC switchable | ● |
| Connection Table No. | 46 |
| Control Panel No. | Fi2 |
| Suitable Connection Equipment No. | 12 13 |
| Suitable Mounting Technology No. | 440 |

Complementary Products

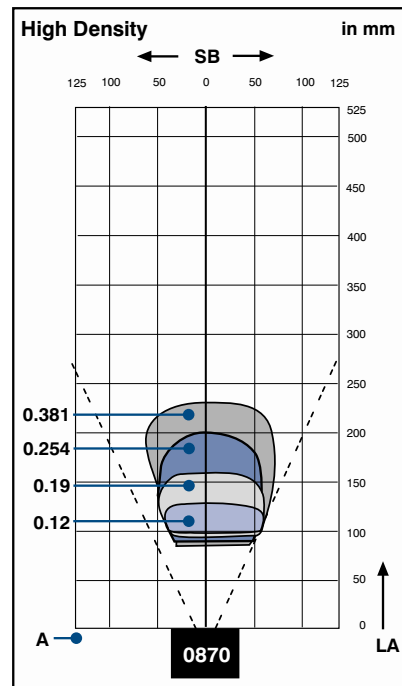
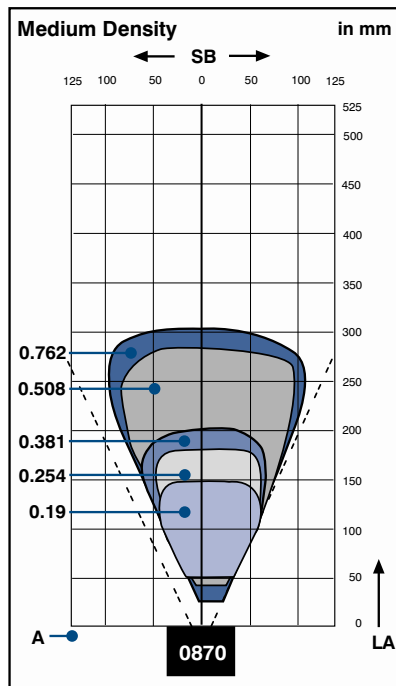
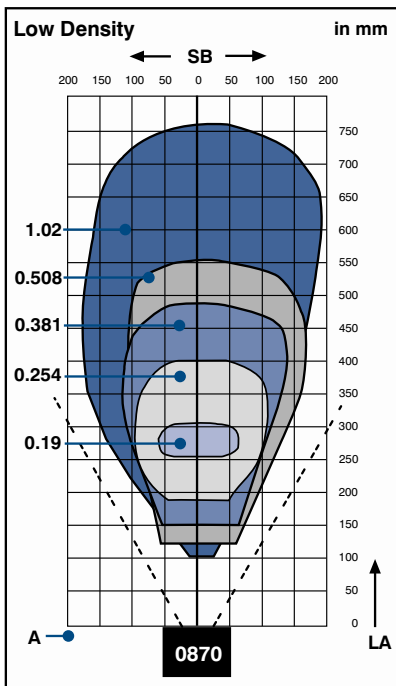
| |
|-------------------------------------|
| Connection Box ZAA12NN01 |
| Fieldbus Gateway ZAGxxxN01, EPGG001 |
| Power Supply Unit NT10 |
| Software |



Ctrl. Panel



- 01 = Switching Status Indicator
- 04 = Function Indicator
- 06 = Teach Button
- 42 = Reading Performance 100 %/Good Read
- 43 = Reading Performance 80 %/Status/Trigger
- 44 = Reading Performance 60 %
- 45 = Reading Performance 40 %
- 46 = Reading Performance 20 %
- 48 = Network Status
- 76 = Network Tx enabled
- 77 = Network Rx enabled
- 78 = Module status



Raster Configuration

| Raster Sweep Angle | 0°...10° | 11°...20° | 21°...34° |
|--------------------|----------|-----------|-----------|
| Sweeps/sec | 80 | 60 | 40 |

