

RJ45 Connector and Plug Carrier **multicomp** PRO

Description

A metal frame Cat5e RJ45 feedthrough socket with IP65 rating. The compatible XLR style plug carrier allows connection of an RJ45 plug.

**RoHS
Compliant**



Note: This is a Plug Carrier Only.
RJ45 Plug is Not Supplied

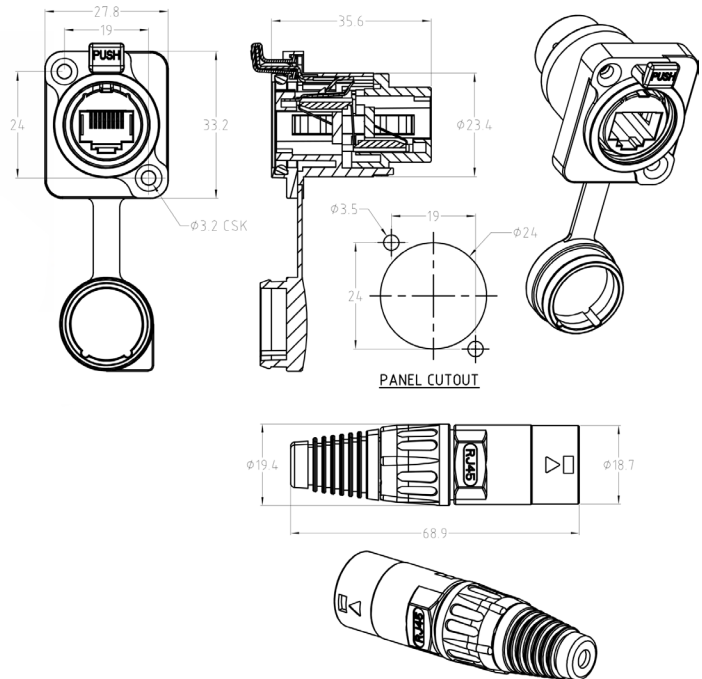
Features

- Fits standard XLR Ø24mm cutout.
- IP65 rated.
- Secure, snap-in lockable design.
- Integrated dust cover.
- Utilises commonly available RJ45 Cat5e male cables
- Cable diameter - Ø4.5 to Ø7mm
- Shields high frequency noise and EMI
- No soldering or punch termination.

Specification

Contact Resistance	: <10mW
Dielectric strength	: 1K V DC
Frequency range	: 1-100MHz
Insulation resistance	: >0.5GW
Rated current per contact	: 1.5A
Rated voltage	: 50V
Transmission performance	: CAT5e / Class D
Lifetime	: >1000 mating cycles
Temperature Range	: -30°C to +80°C

Note: Functionality is affected by cable quality, length and cable wiring configuration.



Dimensions : Millimetres

Part Number Table

Description	Part Number
RJ45 Plug Carrier, Cat5e, Metal, IP65	MP008773
RJ45 Socket Connector, Cat5e, Metal, IP65	MP008774

Important Notice : This data sheet and its contents (the "Information") belong to the members of the AVNET group of companies (the "Group") or are licensed to it. No licence is granted for the use of it other than for information purposes in connection with the products to which it relates. No licence of any intellectual property rights is granted. The Information is subject to change without notice and replaces all data sheets previously supplied. The Information supplied is believed to be accurate but the Group assumes no responsibility for its accuracy or completeness, any error in or omission from it or for any use made of it. Users of this data sheet should check for themselves the Information and the suitability of the products for their purpose and not make any assumptions based on information included or omitted. Liability for loss or damage resulting from any reliance on the Information or use of it (including liability resulting from negligence or where the Group was aware of the possibility of such loss or damage arising) is excluded. This will not operate to limit or restrict the Group's liability for death or personal injury resulting from its negligence. Multicomp Pro is the registered trademark of Premier Farnell Limited 2019.

Newark.com/multicomp-pro
Farnell.com/multicomp-pro
sg.element14.com/b/multicomp-pro

multicomp PRO