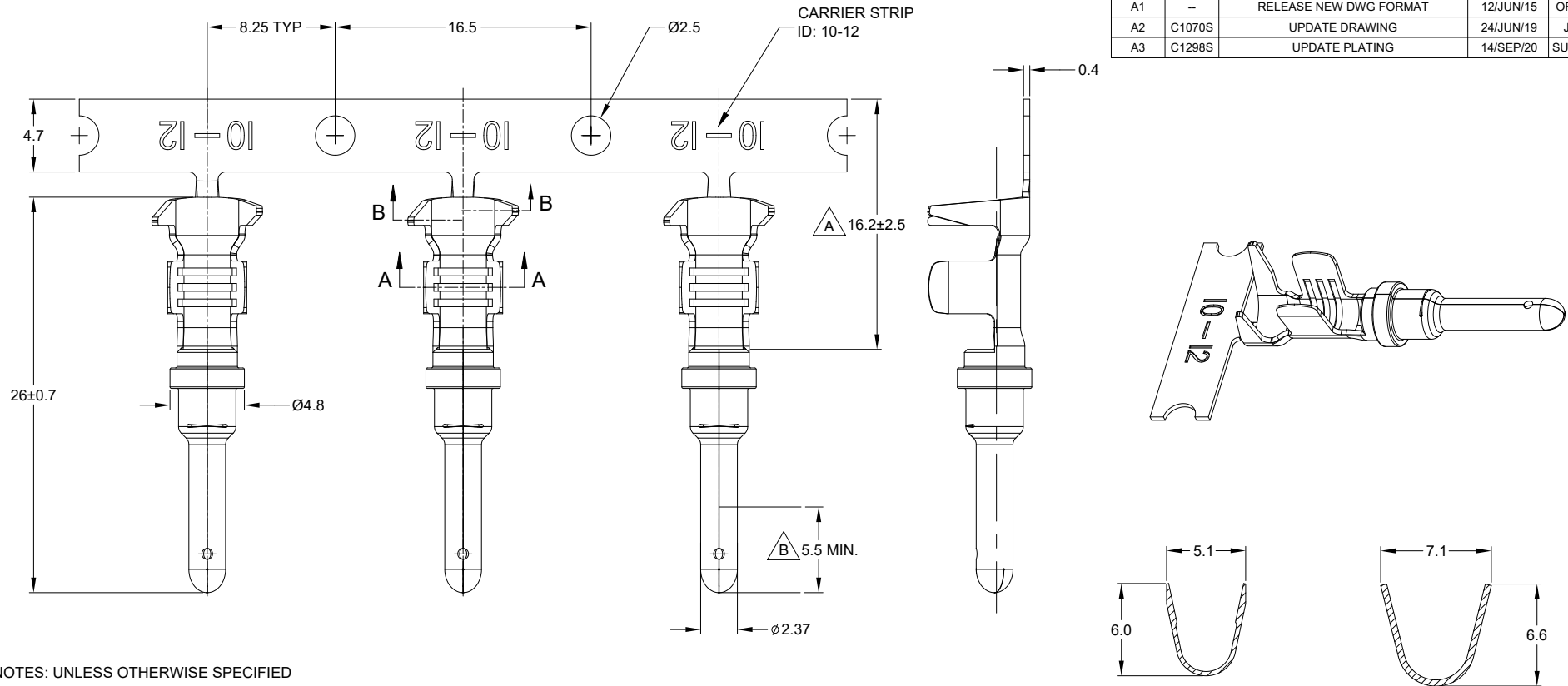


REVISIONS					
REV	ECO	DESCRIPTION	DATE	BY	APPR
A1	--	RELEASE NEW DWG FORMAT	12/JUN/15	ORION	-
A2	C1070S	UPDATE DRAWING	24/JUN/19	JOE	TOMMY
A3	C1298S	UPDATE PLATING	14/SEP/20	SULLEN	TOMMY



NOTES: UNLESS OTHERWISE SPECIFIED

- MATERIAL: COPPER ALLOY
- PLATING: SEE PART NUMBER CHART
- CONTACT SIZE: 12
- SPECIFICATIONS:
 - CURRENT RATING: 25 AMPS
 - CONTACT MILLIVOLT DROP: 100 MILLIVOLT DROP @ 25 AMP TEST CURRENT.
 - RoHS COMPLIANT
- RECOMMENDED WIRE RANGE: 10 - 12 AWG (6.0 - 4.0MM²)
RECOMMENDED INSUL O.D: 3.56 - 5.18MM (0.140 - 0.204INCH)
- PACKAGE: 2000 PCS/REEL
- AVAILABLE APPLICATORS: MFX-3973-K OR MFX-3973-G
- ALL DIMENSIONS ARE FOR REFERENCE USE ONLY

PART NUMBER CHART		
PLATING	PART NUMBER	PLATING DESCRIPTION
NICKEL	AT60-12-0222	SELECTIVE TIN OVER NICKEL OVERALL IN Δ ZONE
GOLD	AT60-12-0244	SELECTIVE GOLD FLASH OVER NICKEL OVERALL IN ∇ ZONE OR ENTIRE CONTACT
TIN	AT60-12-0277	TIN OVER NICKEL OVERALL

SEE PART NUMBER CHART		REF: 1060-12-0222, 1060-12-0244		DESCRIPTION		ITEM
QUANTITY	PART NUMBER	MATERIALS LIST				
UNLESS OTHERWISE SPECIFIED		SIGNATURES		DATE		<p>Amphenol</p> <p>Sine Systems - www.amphenol-sine.com 44724 Morley Drive Clinton Township, MI 48036</p> <p>CONTACT, PIN, STAMPED, SIZE 12, 10-12 AWG, A SERIES</p>
1) All dimensions are in metric (mm).		DRAWN: SULLENZHANG	14/SEP/20		<p>SIZE: B C-</p> <p>TYPE: AT60-12-02XX</p> <p>DWG NO: A3</p> <p>REVISION: A3</p>	
2) Tolerances are as follows:		CHECKED: ORIONLI	15/SEP/20			
1 PL DEC ±0.30 2 PL DEC ±0.15 3 PL DEC ±0.08		ENGINEER:				
3) Note reference = Δ		APPROVAL: TOMMYXIE	18/SEP/20		SCALE: NONE	SHEET 1 OF 1
MATERIAL SPECIFICATIONS:		CUSTOMER:		THIS DRAWING IS SUPPLIED FOR INFORMATION ONLY. DESIGN FEATURES, SPECIFICATIONS AND PERFORMANCE DATA SHOWN HEREON ARE THE PROPERTY OF THE AMPHENOL CORPORATION. NO RIGHTS OF REPRODUCTION ARE IMPLIED. ALL DIMENSIONS ARE SUBJECT TO NORMAL MANUFACTURING VARIATIONS.		
PROCESS SPECIFICATIONS:		NEXT ASSY:				

TITLE: PIN, STAMPED, SIZE 12, 10-12 AWG, A SERIES
DWG NO: AT60-12-02XX
REV: A3
SH: 1
OF: 1