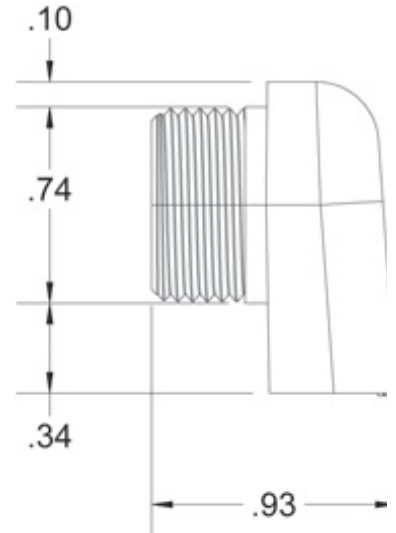
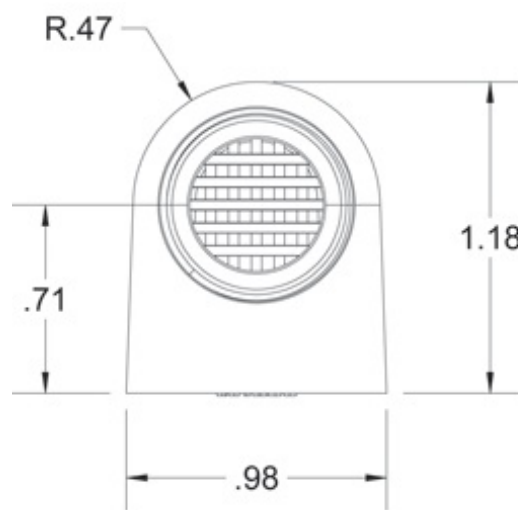


Small Rainproof Ventilator *SDV SM*



- Designed to equalize internal / external pressure and temperature
- Ventilators assist in condensation prevention by allowing enclosures to breathe
Suitable for most types of metallic and non-metallic enclosures
- Molded in corrosion resistant UV stabilized polycarbonate plastic, finish RAL7035 Light Gray
- Gasket protection to enclosure wall
- Mount to enclosure wall thickness up to .16"
- Internal vent channel & grille reduces insect intrusion
- Package quantity 1



Part No. **SDV180-1**

Data subject to change without notice