

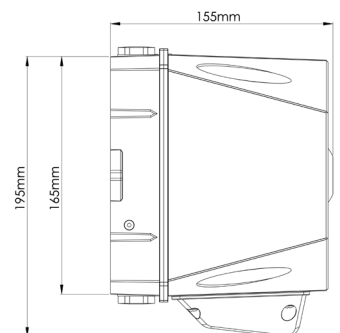
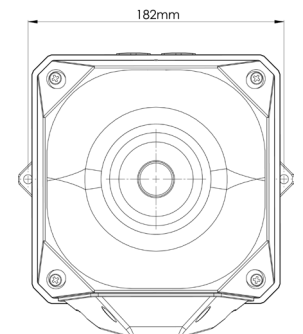
X10 Maxi Sounder Beacon

The X10 Maxi sounder beacon is an industrial signaling alarm, available in 4 fade resistant body colours, 6 LED beacon colours, and high and low voltage variants. It is certified to IP66 and IP69K, and verified to operate at extreme temperatures -30°C to 70°C, and is therefore suitable for use in harsh conditions where a robust industrial sounder beacon is required. The X10 Maxi sounder beacon comes with an Eaton 10 year Extended Warranty and offers up to 120 dB(A) with 102 tones, and a versatile 4 stage alarm to allow you to retrofit to an existing installation.

Technical specifications

X10 Maxi Sounder Beacon

	Low voltage DC / AC product		AC Mains product	
Rated voltage	10V - 60V DC	10V - 30V AC	115V AC	230V AC
Sounder only* (DIN Tone, High Vol)	235 - 1600 mA	650 - 2720 mA	160 mA	83 mA
AV* (DIN Tone, High Vol, 1Hz Flash)	250 - 1725 mA	705 - 2920 mA	168 mA	87 mA
Sound output	120dB			
Alarm tones	102			
Alarm stages	4			
Stage control options	+ve low voltage trigger -ve low voltage trigger +ve supply voltage trigger -ve supply voltage trigger Reverse polarity trigger		Dry /0 volt contact trigger	
Flash rate	0.5Hz (30FPM) / 1Hz (60FPM) / Continuous / Off			
Operating temperature	-30°C to +70°C			
Ingress Protection (IP) rating	IP66 (dust ingress/powerful jets of water) IP69K (dust ingress/steam jet cleaning)			
Warranty	10 years**			
Material	UV stabilised polycarbonate ASA			
Colour - housing	Red (RAL 3001) White (RAL9003) Dark grey (RAL7012) Light grey (RAL7035)			
Colour - beacon	Red Magenta Amber Clear Blue Green			
Cable entry	Top: 2 x M20 threaded cable entries Bottom: 1 x M20 threaded cable entry			
Connecting terminals	up to 2.5mm ²			
Weight	2.490kg (AC Mains); 1.925kg (Low voltage DC / AC)			



* Supply current range is based on variation of the supply voltage. A change in Tone, Volume or Beacon settings will also impact the supply current.





** Terms and Conditions apply

Key features

- Powerful up to 120dB(A) output
- IK08 Impact resist and IP Rated to IP66 and IP69K
- 10 year warranty**
- 102 tones facilitates install and retrofits accommodating a wide range of Industry requirements
- 6 lens colours available, secured by salt resistant stainless steel screws
- 4 fade resistant housing colours available
- Up to 4 stage alarm, with multiple alert and control possibilities for both AC and DC variants
- Modular LED beacon capable of multiple functionality on / off; 1/2Hz (30FPM) / 1Hz (60FPM)
- Temperature range -30°C to +70°C
- Captive salt water resistant stainless steel fasteners
- M20 pre drilled threaded cable entries fitted with IP69K blanking plugs as standard
- UV stabilised polycarbonate ASA
- Low Inrush current with a range of dB(A) outputs







X10 Housing colours

Housing colours

	R1 = Red (RAL3001)
	G1 = Dark grey (RAL7012)
	G2 = Light grey (RAL7035)
	W1 = White (RAL9003)

X10 Modular lenses

Lens colours

	RL = Red lens
	AL = Amber lens
	BL = Blue lens
	GL = Green lens
	CL = Clear lens
	ML = Magenta lens

Catalogue numbers

Catalogue no.	Reference	Description
7092315FUL-0351	X10/CE/MAH/R1/10-60 VAC-DC	X10 maxi, red housing, 10-60 VAC-DC
7092316FUL-0352	X10/CE/MAH/R1/115/230 VAC	X10 maxi, red housing, 115/230 VAC
7092317FUL-0353	X10/CE/MAH/W1/10-60 VAC-DC	X10 maxi, white housing, 10-60 VAC-DC
7092318FUL-0354	X10/CE/MAH/W1/115/230 VAC	X10 maxi, white housing, 115/230 VAC
7092319FUL-0355	X10/CE/MAH/G1/10-60 VAC-DC	X10 maxi, dark grey housing, 10-60 VAC-DC
7092320FUL-0356	X10/CE/MAH/G1/115/230 VAC	X10 maxi, dark grey housing, 115/230 VAC
7092321FUL-0357	X10/CE/MAH/G2/10-60 VAC-DC	X10 maxi, light grey housing, 10-60 VAC-DC
7092322FUL-0358	X10/CE/MAH/G2/115/230 VAC	X10 maxi, light grey housing, 115/230 VAC
7092368FUL-0576	X10/CE/M3B/RL	X10 maxi beacon, red lens
7092369FUL-0577	X10/CE/M3B/AL	X10 maxi beacon, amber lens
7092370FUL-0578	X10/CE/M3B/BL	X10 maxi beacon, blue lens
7092371FUL-0579	X10/CE/M3B/GL	X10 maxi beacon, green lens
7092372FUL-0580	X10/CE/M3B/CL	X10 maxi beacon, clear lens
7092373FUL-0581	X10/CE/M3B/ML	X10 maxi beacon, magenta lens

Eaton
 EMEA Headquarters
 Route de la Longeraie 7
 1110 Morges, Switzerland
 Eaton.eu

© 2018 Eaton
 All Rights Reserved
 Printed in EMEA
 Version 2, November 2018

Eaton is a registered trademark.

All other trademarks are property of their respective owners.