

DRAWING MADE IN THIRD ANGLE PROJECTION

THIS DRAWING IS UNPUBLISHED. RELEASED FOR PUBLICATION

© COPYRIGHT 19 BY AMP INCORPORATED, HARRISBURG, PA. ALL INTERNATIONAL RIGHTS RESERVED. AMP PRODUCTS MAY BE COVERED BY U.S. AND FOREIGN PATENTS AND/OR PATENTS PENDING.

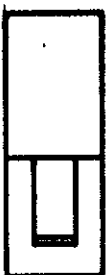
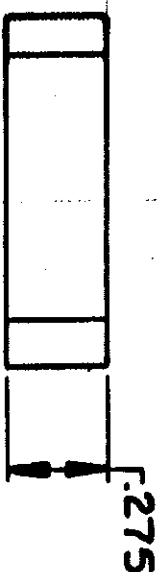
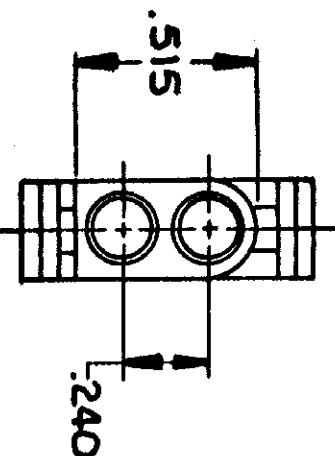
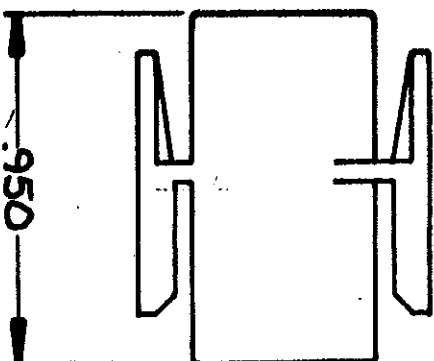
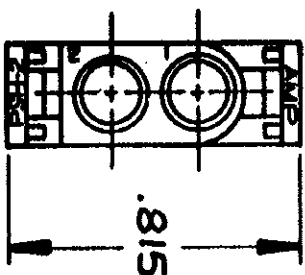
3

2

1

REVISIONS		Loc	CM	DIST
1				53
2				
3				
4				
5				
6				
7				
8				
9				
10				
11				
12				
13				
14				
15				
16				
17				
18				
19				
20				
21				
22				
23				
24				
25				
26				
27				
28				
29				
30				
31				
32				
33				
34				
35				
36				
37				
38				
39				
40				
41				
42				
43				
44				
45				
46				
47				
48				
49				
50				
51				
52				
53				
54				
55				
56				
57				
58				
59				
60				
61				
62				
63				
64				
65				
66				
67				
68				
69				
70				
71				
72				
73				
74				
75				
76				
77				
78				
79				
80				
81				
82				
83				
84				
85				
86				
87				
88				
89				
90				
91				
92				
93				
94				
95				
96				
97				
98				
99				
100				

- 2. ACCEPTS .140 SERIES SOCKETS.
- 3. MATES WITH CAP 350345.



OPTIONAL CONSTRUCTION

UNLESS OTHERWISE SPECIFIED DIMENSIONS ARE IN INCHES. DECIMALS TO .005 ANGLES		CONTRACT NO.		NAME	
MATERIAL		DR		AMP	
NYLON UL94V-2		7-29-86		AMP INCORPORATED	
COLOR		APPD		HARRISBURG, PA.	
NATURAL		7/1/86			
OTHER APPD		9-2-86			
DSGN APPD		9-2-86			
OTHER APPD					
SIZE		FSCM NO		DRAWING NO	
B		00779		350344	
SCALE 2:1		SHEET		1 OF 1	

1-350344-0
PART NO

CUSTOMER DRAWING