

A1031069

TOP-KNOBS 31

Suitable for rotary potentiometer with round shaft ends according to DIN 41591. Lateral screw fixing by hex-socket set screw (1.5 mm) and cup point.
Max. tightening torque: 60 Ncm.

Supply

1 TOP-KNOB



TECHNICAL DATA

Material	PA 6	Diameter	31 mm
Colour	nero	Height	16 mm
Standards	RoHS compliant, REACH compliant	Bore hole	6 mm

Please take the dimensions from current parts. These are subject to material- and manufacturing-specific tolerances.

PURCHASING DATA

Weight/1 part	9 g
Customs tariff number (OKW product)	84879090
Country of manufacture	Germany

CUSTOMISING OPTIONS

What else do you need to create your own personal product? We can supply our enclosures and tuning knobs fully modified to suit your electronic components and design requirements. Please advise for anything else we can do for you.

A1031069

TOP-KNOBS 31

Customising options for A1031069



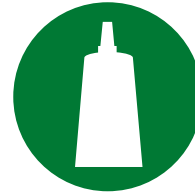
Machining



Printing



Laser marking



Installation / Assembly
of accessories

A1031069

TOP-KNOBS 31

SYSTEM COMPONENTS TO COMPLETE



A1101003
 Pin
 PA 6 (UL 94 HB)
 coral



A1101004
 Pin
 PA 6 (UL 94 HB)
 beach



A1101005
 Pin
 PA 6 (UL 94 HB)
 lagoon



A1101006
 Pin
 PA 6 (UL 94 HB)
 sky



A1101007
 Pin
 PA 6 (UL 94 HB)
 mineral



A1102004
 Globe
 PA 6 (UL 94 HB)
 beach



A1102007
 Globe
 PA 6 (UL 94 HB)
 mineral



A1103004
 Disk
 PA 6 (UL 94 HB)
 beach



A1103007
 Disk
 PA 6 (UL 94 HB)
 mineral



A1104003
 Wing
 PA 6 (UL 94 HB)
 coral



A1105003
 Arrow
 PA 6 (UL 94 HB)
 coral



A1105004
 Arrow
 PA 6 (UL 94 HB)
 beach



A1105005
 Arrow
 PA 6 (UL 94 HB)
 lagoon

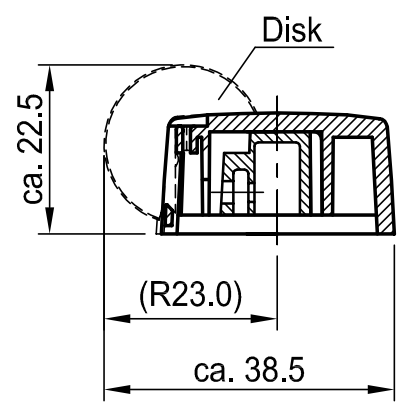
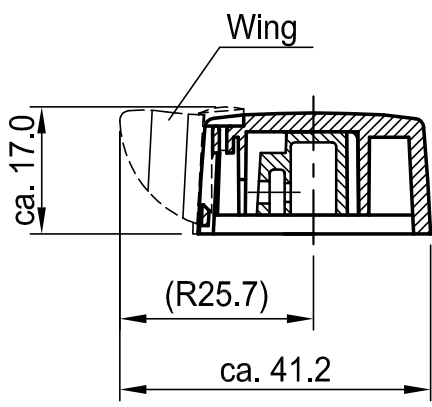
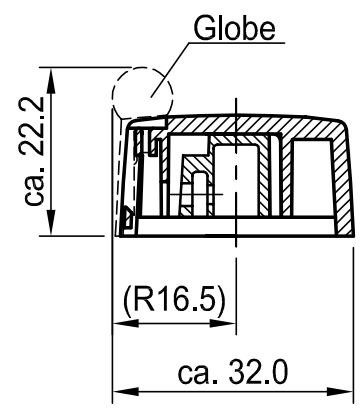
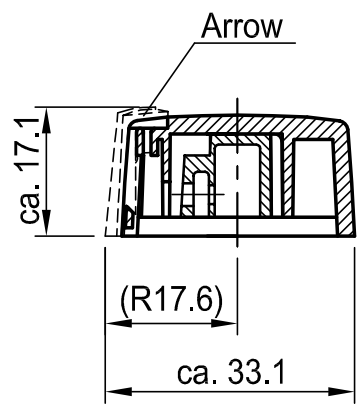
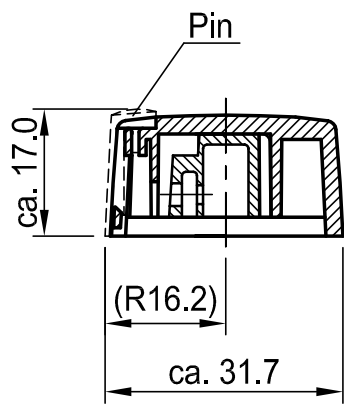
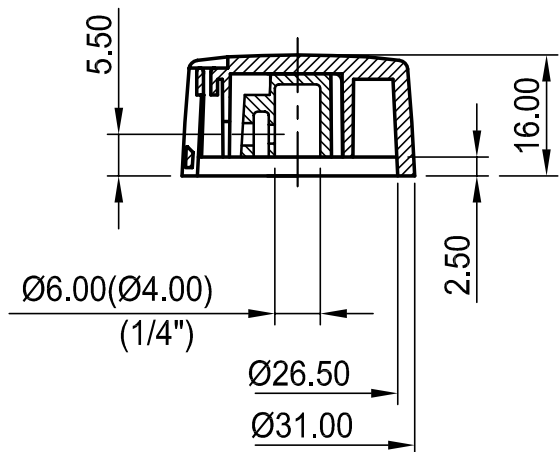


A1105006
 Arrow
 PA 6 (UL 94 HB)
 sky



A1105007
 Arrow
 PA 6 (UL 94 HB)
 mineral

Subject to technical modification without notice. © by OKW Gehäusesysteme, Buchen/Germany.



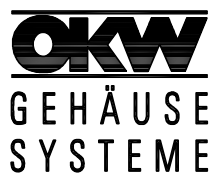
Informationskopie
Copy for Information
 will not be updated
 wird nicht aktualisiert

Technische Änderungen vorbehalten. Irrtümer und Druckfehler begründeten keinen Anspruch auf Schadenersatz. Wichtige Einbaumaße bitte direkt mit dem aktuellen Produkt abstimmen.

Subject to technical modification without prior notice. Typographical and other errors do not justify any claim for damages. All dimensions should be verified using an actual moulded part.

Sous réserve de modifications techniques. Toute erreur ou faute d'impression ne justifie aucune demande d'indemnisation. Nous prions les clients de vérifier les dimensions des composants avec les boîtiers avant le montage.

Bearb. am: 21.04.99
 Ersteller: HASSELB
 Freigabe:
 Rev. Index: 3
 Stand: 07.10.05



Material:

Farbe:

This document contains proprietary information of OKW Gehäusesysteme GmbH and is tendered subject to the conditions that the information be retained in confidence not be reproduced or copied and not be used or incorporated in any product.

TOPKNOB
Top-Knob Ø31

A1031...

Für dieses Dokument behalten wir uns alle Urheberrechte vor. Es darf auch auszugsweise weder vervielfältigt noch Dritten in irgendeiner Form zugänglich gemacht werden.

Toleranzen:
 DIN 16901 T130

Zeichnungsart:
 KUNDE



DIN 6 Teil 2

Maßstab:
 1:1

Bearbeiter:
 Hasselb

Dateiname:
 00004179