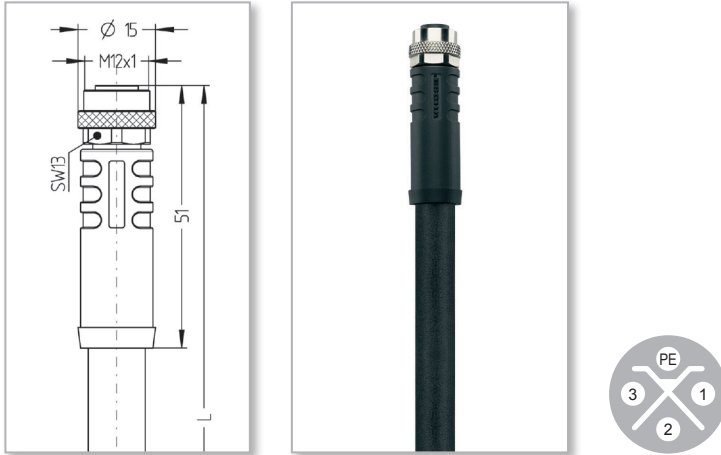


Zubehör Accessories

M12 Sensor Kabel PUR / M12 Sensor cable PUR 200100-14, 200100-15, 200100-16



Art.Nr. / Item No.	Beschreibung / description
200100-14	Sensor Kabel, PUR, 5m - Buchse - offene Leitungsenden, S kodiert <i>sensor cable, PUR, 5m - female socket - open ends of line, S-type encoded</i>
200100-15	Sensor Kabel, PUR, 2,5m - Buchse - offene Leitungsenden, S kodiert <i>sensor cable, PUR, 2,5m - female socket - open ends of line, S-type encoded</i>
200100-16	Sensor Kabel, PUR, 10m - Buchse - offene Leitungsenden, S kodiert <i>sensor cable, PUR, 10m - female socket - open ends of line, S-type encoded</i>

Polzahl / Number of pins	3+PE
Codierung / Coding of	S
Bemessungsspannung / Rated voltage	630V _{AC} 600V _{AC} (UL)
Strombelastbarkeit pro Pin (bei 40°C) / Current load (at 40°C)	12A
Isolationswiderstand / Insulation resistance	≥ 10 ⁸ Ω
Umgebungstemperatur / Ambient temperature product	-30°C...+90°C
Material Kontakte / Contact material	Metall, CuZn, vergoldet / Metal, CuSn, gold-plated
Material Kontaktträger / Contact-carrier material	Kunststoff, TPU, BK / Plastic, TPU, BK
Material Griffkörper / Grip body material	Kunststoff, TPU, BK / Plastic, TPU, BK
Material Überwurf / Coupling nut materia	Metall, CuZn, vernickelt / Metal, CuZn, nickel-plated
Material Dichtung (Kupplung) / Sealing (female) material	FPM/FKM
Normen / Standards	IEC 61076-2-111
Schutzart (montiert) / Degree of protection (mounted)	IP65, IP67, IP68
UL	Ja / Yes
ROHS	Ja / Yes