

Surge protection connector - PT 2X1VA-120AC-ST - 2839185

Please be informed that the data shown in this PDF Document is generated from our Online Catalog. Please find the complete data in the user's documentation. Our General Terms of Use for Downloads are valid (<http://download.phoenixcontact.com>)



Protective plug PT with protective circuit for higher signal voltages, 2-channel, visual fault warning. Nominal voltage: 120 V AC

Illustration shows variant PT 2x1VA-230AC-ST

Product Features

- Plugs can be checked with CHECKMASTER
- Maximum ease of maintenance thanks to the two-piece design
- Base element remains an integral part of the installation
- Protective devices for use in telecommunications and signaling networks according to IEC 61643-21
- Consistent plug-in signal circuit protection
- Impedance-neutral disconnection of plug for test and maintenance purposes



Key commercial data

package_quantity	10
GTIN	4017918182847

Technical data

Dimensions

Height	45 mm
Width	17.7 mm
Depth	52 mm
Pitch unit	1 Div.
Height	90 mm
Width	17.7 mm
Depth	65.5 mm

Ambient conditions

Ambient temperature (operation)	-40 °C ... 85 °C
Degree of protection	IP20

General

Housing material	PA 6.6
Inflammability class according to UL 94	V0

Surge protection connector - PT 2X1VA-120AC-ST - 2839185

Technical data

General

Color	black
Standards for air and creepage distances	VDE 0110-1
Standards for air and creepage distances	IEC 60664-1
Mounting type	On base element
Design	DIN rail module, two-section, divisible
Direction of action	Line-Line & Line-Earth Ground
Arrester can be tested with CHECKMASTER from software version:	From SW rev. 1.00

Protective circuit

IEC test classification	C2
Nominal voltage U_N	120 V AC
Maximum continuous operating voltage U_C	200 V DC
Maximum continuous operating voltage U_C	150 V AC
Maximum continuous voltage U_C (wire-ground)	200 V DC
Maximum continuous voltage U_C (wire-ground)	150 V AC
Nominal current I_N	26 A (30 °C)
Operating effective current I_C at U_C	≤ 1.5 mA
Residual current I_{PE}	≤ 3 mA
Nominal discharge current I_n (8/20) μs	2.5 kA (C2 - 5 kV/2.5 kA)
Nominal discharge current I_n (8/20) μs (Core-Earth)	2.5 kA (C2 - 5 kV/2.5 kA)
Total surge current (8/20) μs	5 kA
Max. discharge current I_{max} (8/20) μs maximum (Core-Earth)	8 kA
Output voltage limitation at 1 kV/μs (Core-Earth) spike	≤ 380 V
Output voltage limitation at 1 kV/μs (Core-Earth) spike	≤ 380 V
Output voltage limitation at 1 kV/μs (Core-Earth) static	≤ 380 V
Residual voltage at I_n, (conductor-ground)	≤ 600 V
Energy absorption, asymmetrical	85 J
Voltage protection level U_p (Core-Earth)	≤ 600 V
Response time tA (Core-Earth)	≤ 25 ns
Message: Surge protection fault	Optical, remote indicator contact
Surge carrying capacity in acc. with IEC 61643-21 (Core-Earth)	C2 (4 kV / 2 kA)

Connection data

Connection method	Screw connection (in connection with the base element)
Connection type IN	PLUGTRAB plug-in system
Connection type OUT	PLUGTRAB plug-in system

Standards and Regulations

Standards/regulations	IEC 61643-21
Standards/regulations	DIN EN 61643-21

Surge protection connector - PT 2X1VA-120AC-ST - 2839185

classifications

eCl@ss

eCl@ss 4.0	27140201
eCl@ss 4.1	27130801
eCl@ss 5.0	27130801
eCl@ss 5.1	27130801
eCl@ss 6.0	27130807
eCl@ss 7.0	27130807
eCl@ss 8.0	27130807

ETIM

ETIM 2.0	EC000943
ETIM 3.0	EC000943
ETIM 4.0	EC000943
ETIM 5.0	EC000943


UNSPSC


UNSPSC 6.01	30212010
UNSPSC 7.0901	39121610
UNSPSC 11	39121610
UNSPSC 12.01	39121610
UNSPSC 13.2	39121620

approvals

UL Recognized / cUL Recognized / GOST / cULus Recognized /

Approval details

UL Recognized 	
Nominal voltage UN	120 V
Nominal current IN	20 A
mm ² /AWG/kcmil	

cUL Recognized 	
Nominal voltage UN	120 V
Nominal current IN	20 A
mm ² /AWG/kcmil	

Surge protection connector - PT 2X1VA-120AC-ST - 2839185

approvals



accessories

Marker pen

X-PEN 0,35 - 0811228



Terminal marking

ZBF 5:UNBEDRUCKT - 0808642



ZBF 5/WH-100:UNBEDRUCKT - 0808668



Labeled terminal marker

ZBF 5,LGS:FORTL.ZAHLEN - 0808671



Surge protection connector - PT 2X1VA-120AC-ST - 2839185

accessories

ZBF 5,LGS:GERADE ZAHLEN - 0810821



ZBF 5,LGS:UNGERADE ZAHLEN - 0810863



ZBF 5,QR:FORTL.ZAHLEN - 0808697



Device marking

ZBN 18:UNBEDRUCKT - 2809128



accessories

ZBF 15:SO/CMS - 0814717



Surge protection connector - PT 2X1VA-120AC-ST - 2839185

accessories

ZBF 5:SO/CMS - 0808707

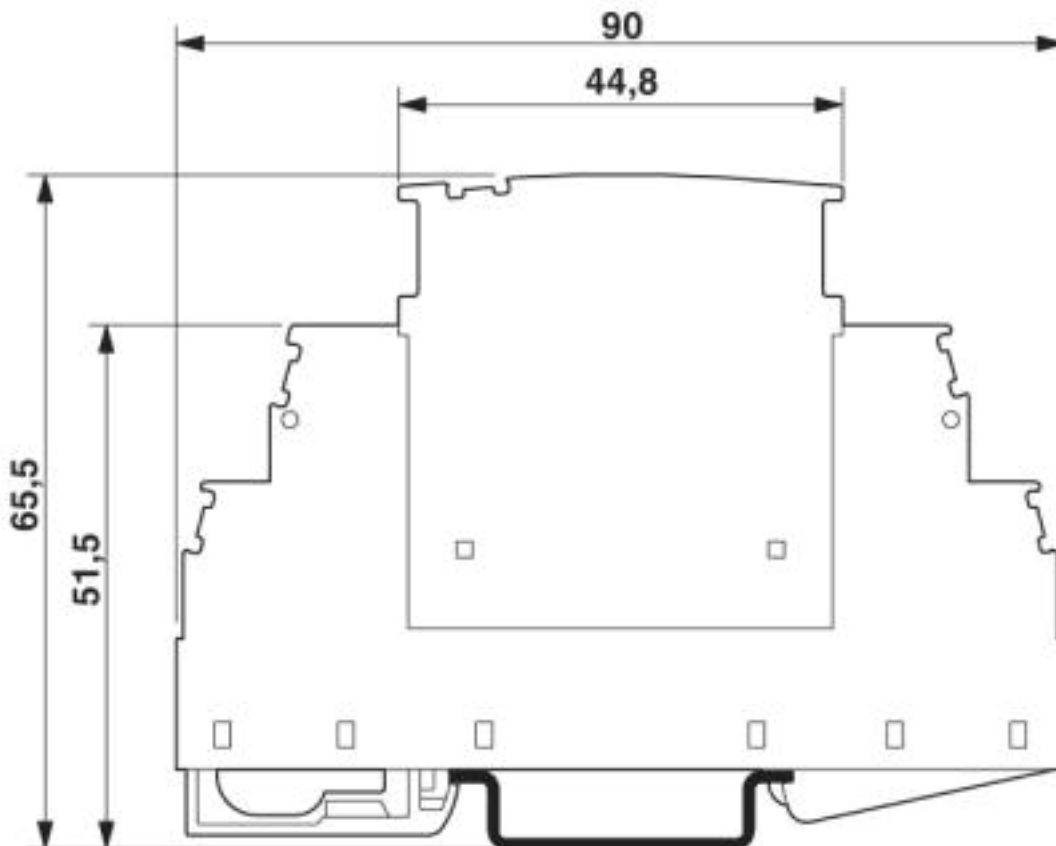


ZBN 18:SO/CMS - 0800763



Drawings

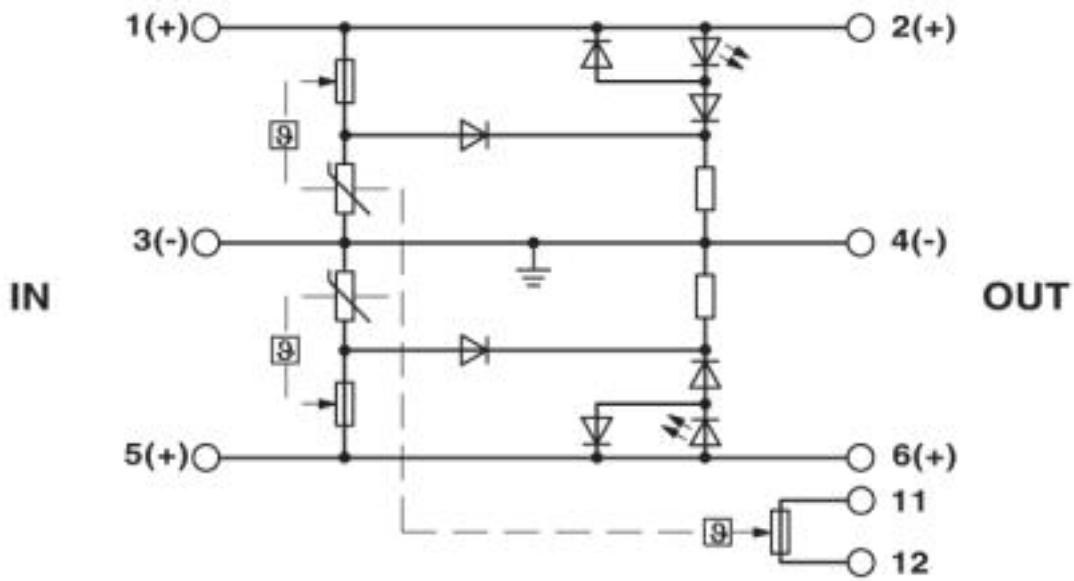
Dimensioned drawing



The figure shows the complete module consisting of a base element and connector

Surge protection connector - PT 2X1VA-120AC-ST - 2839185

Circuit diagram



© Phoenix Contact 2013 - all rights reserved
<http://www.phoenixcontact.com>