

# FLZ 541 | FLZ 542 | FLZ 543 TWIN THERMOSTATS

The FLZ series of twin thermostats integrates two independently switchable thermostats. They are available with N.C./N.O.<sup>1</sup>, N.C./N.C. and N.O./N.O. contacts. Unlike thermostats with changeover contacts, connected devices can be switched in different temperature ranges.



PRODUCT		FLZ 541	FLZ 542	FLZ 543	
ARTICLE NO.	0 ... +60 °C	17141000000	17142000000	17143000000	Unit

**DATA**

Type of contact		N.C./N.O. with spring contact	N.C./N.C. with spring contact	N.O./N.O. with spring contact		
Switching temperature difference		< 7			K	
Switching point tolerance		±4				
Max. switching power value in brackets: inductive load at cos φ = 0.6	N.C.	240 V AC / 10 (2)			A	
	N.O.	120 V AC / 15 (2)				
	DC	max. 30			W	
Operating temperature		-40 ... +80			°C	
Suitable for the operation of		fan and heater	heater	fan		
Probe type		bimetal				
Type of mounting		snap fastening for 35 mm profile bars according to EN 60715				
Type of connection		screw terminal for cable cross-section 0.5 to 2.5 mm <sup>2</sup>				
Colour		RAL 7035				
Weight		95				g

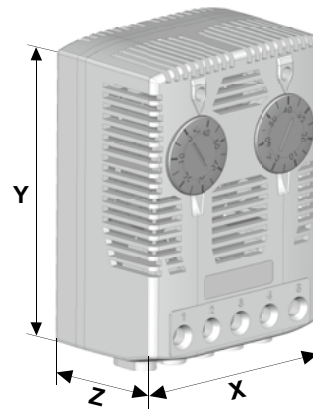
ACCESSORIES	ARTICLE NUMBER
Hygostat	17207000000
Internal enclosure fan	18110000000

For additional models, options and voltages visit [www.pfannenberg.com](http://www.pfannenberg.com) or contact us directly.



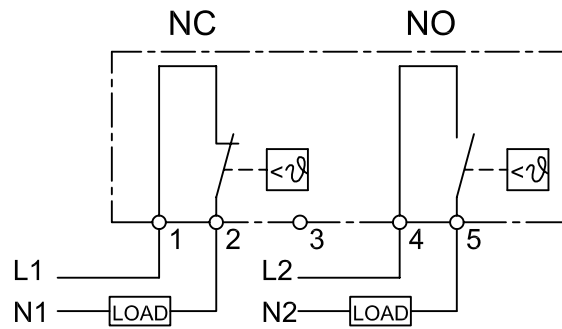
**Dimensions**

mm	FLZ 541   FLZ 542   FLZ 543
X	59
Y	80.5
Z	38

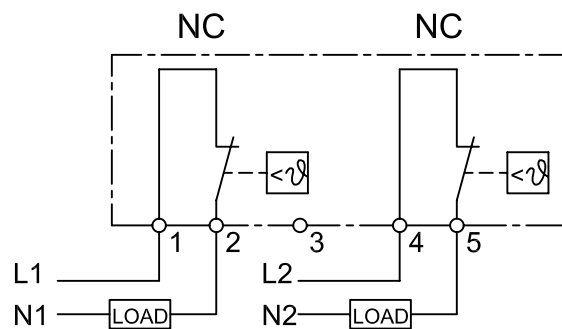


**Schematics**

**FLZ 541**



**FLZ 542**



**FLZ 543**

