

10 9 8 7 6 5 4 3 2 1

F

F

E

E

D

D

C

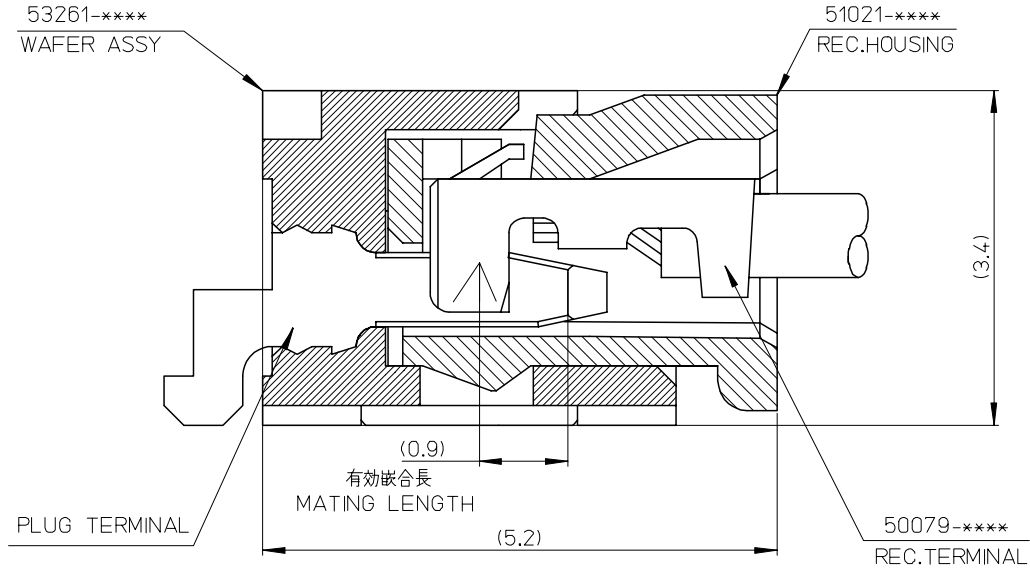
C

B

B

A

A



| | | |
|------------|------------|------------------------|
| 53261-**** | WAFER ASSY | MODEL NO./MATERIAL NO. |
| 50079-**** | TERMINAL | |
| 51021-**** | HOUSING | |

| | | | | | | | | |
|--|--|---------|----------------------------|--------------------|---|------------------------|------------------------|--|
| RELEASED EC NO: J2006-2426 DRWN: A0YAGI 2006/02/02 CHKD: YMAEDA 2006/02/03 APPR: NUKITA 2006/02/07 | GENERAL TOLERANCES (UNLESS SPECIFIED) | | DIMENSION STYLE MM ONLY | | SCALE --- | DESIGN UNITS METRIC | THIRD ANGLE PROJECTION | |
| | 10 UNDER | ± --- | DRAWN BY Y. A0YAGI | DATE 2006/01/30 | TITLE 1.25 W-TO-B CONN. 51021,53261 MATING CROSS SECTION | | | |
| | 10 OVER 30 UNDER | ± --- | CHECKED BY Y. MAEDA | DATE 2006/01/30 | MOLEX INCORPORATED | | | |
| | 30 OVER | ± --- | APPROVED BY N. UKITA | DATE 2006/01/30 | DOCUMENT NO. SD-51021-002 | | | |
| | ANGULAR | ± --- ° | MATERIAL NO. SEE CHART | | SHEET NO. 1 OF 1 | | | |
| 0 | DRAFT WHERE APPLICABLE MUST REMAIN WITHIN DIMENSIONS | | SIZE A3 | | THIS DRAWING CONTAINS INFORMATION THAT IS PROPRIETARY TO MOLEX INCORPORATED AND SHOULD NOT BE USED WITHOUT WRITTEN PERMISSION | | | |

9

8

7

6

5

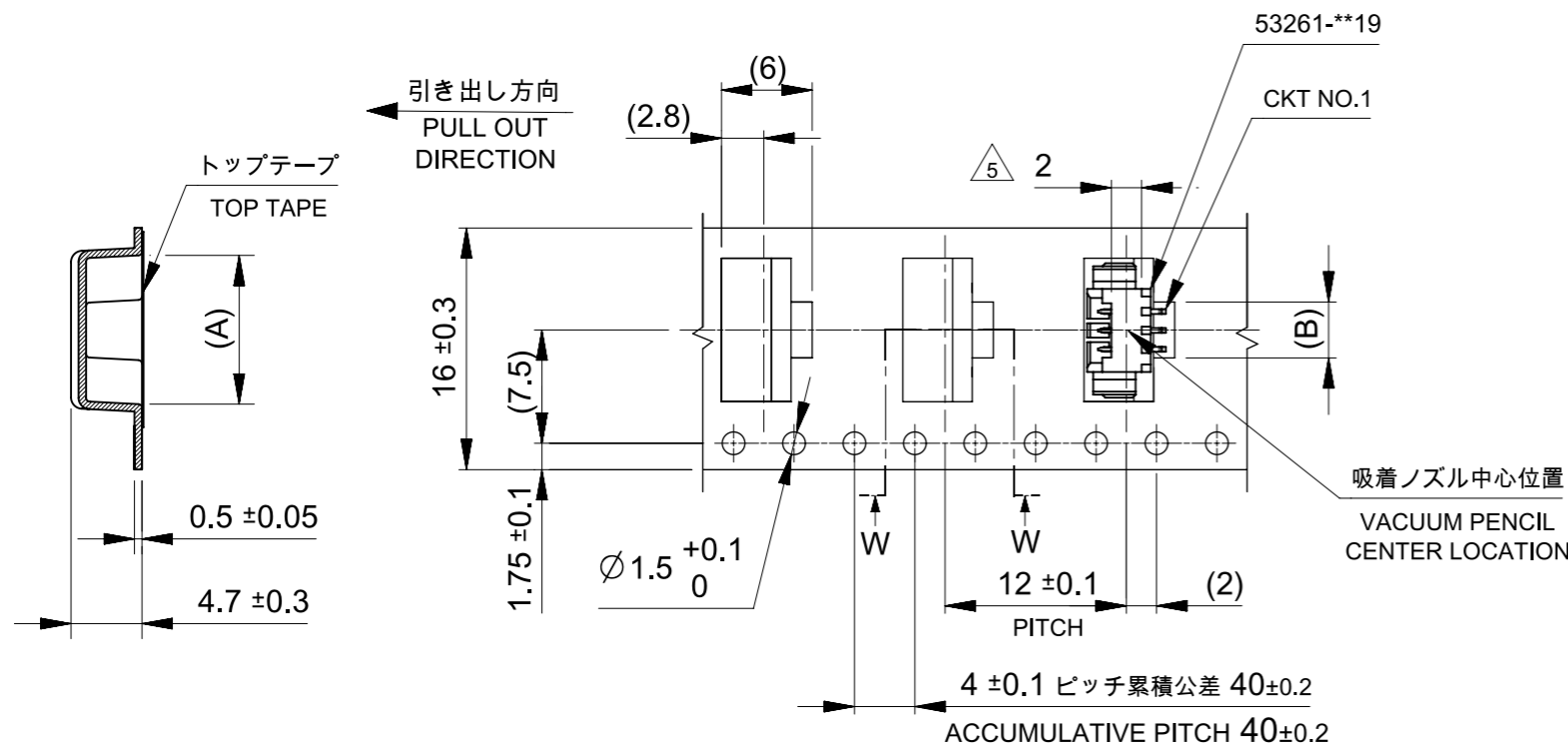
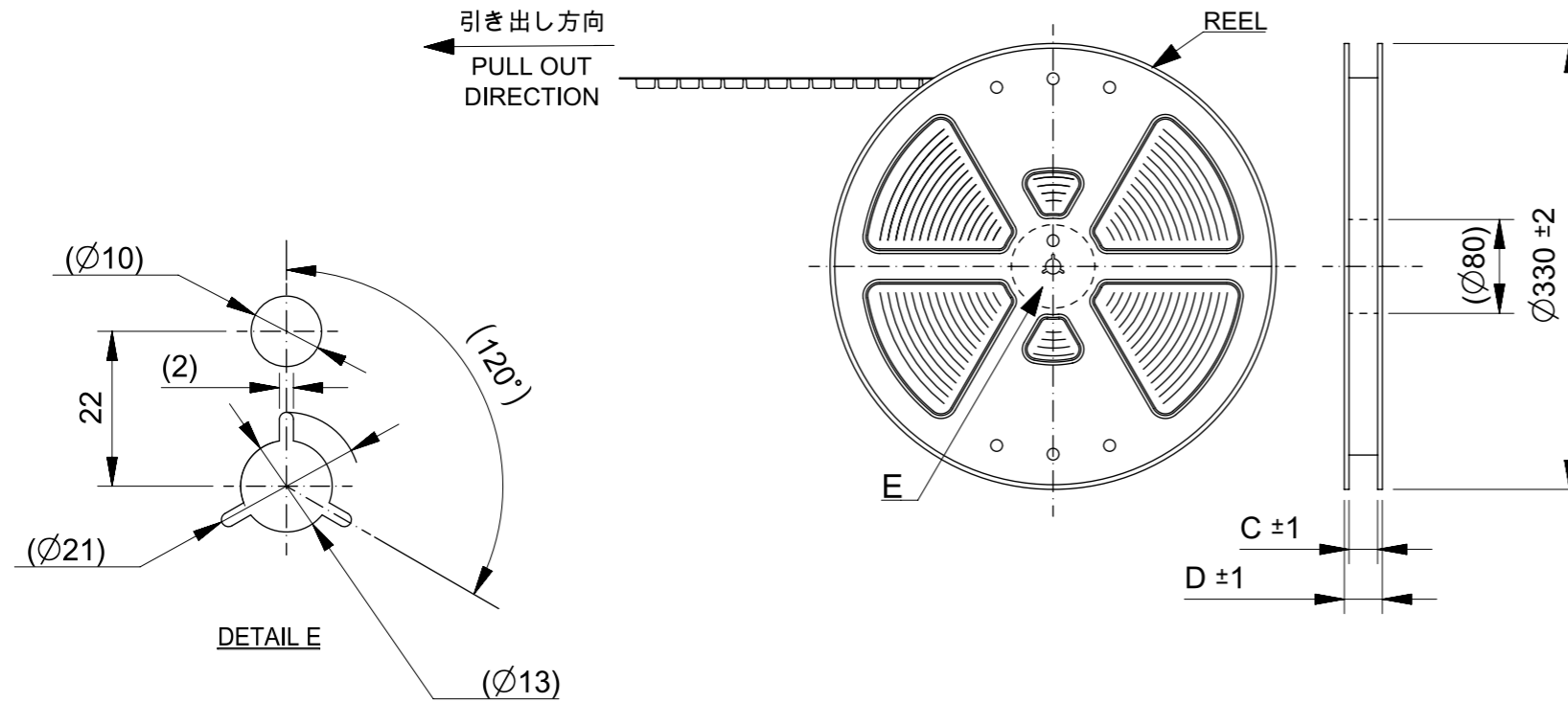
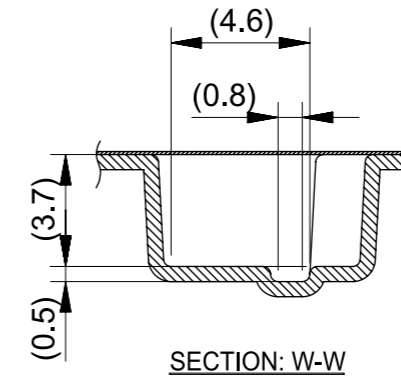
4

3

2

注釈 NOTE

- コネクタ53261-**19の詳細寸法については図面SD-53261-024をご参照ください。
REFER TO DRAWING SD-53261-024 FOR DETAIL DIMENSIONS OF CONNECTOR 53261-**19.
- 梱包数量: 1000個/リール
NUMBER OF CONNECTOR: 1000PCS/REEL
- リードテープ長さ LEAD TAPE LENGTH
 トップテープリーダ部 TOP TAPE LEADER PART: 175 ±25
 トップテープ未装着部 TOP TAPE NON-BONDED PART: 25 ±5
 リーダ部 (空部) LEADER PART (EMPTY): 120 ±20
 部品挿入部 COMPONENT SUPPLIER: 150 ±40
 末端部 (空部) TAIL PART (EMPTY): 150 ±40
- 材料 (MATERIAL)
 キャリアテープ (CARRIER TAPE): ポリプロピレン (POLYPROPYLENE)
 トップテープ (TOP TAPE): PET, PE, PEF
 リール (REEL): ポリスチレン (PS) <リサイクル材含む> POLYSTYREN (PS) <RECYCLE MATERIAL CONTAINED>
- コネクタハウジング平面部
CONNECTOR HOUSING FLAT AREA.
- 本製品は乾燥剤入りハイバリア梱包仕様である。
THIS PRODUCT IS HIGH BARRIER PACKAGE WITH DESICCANT.

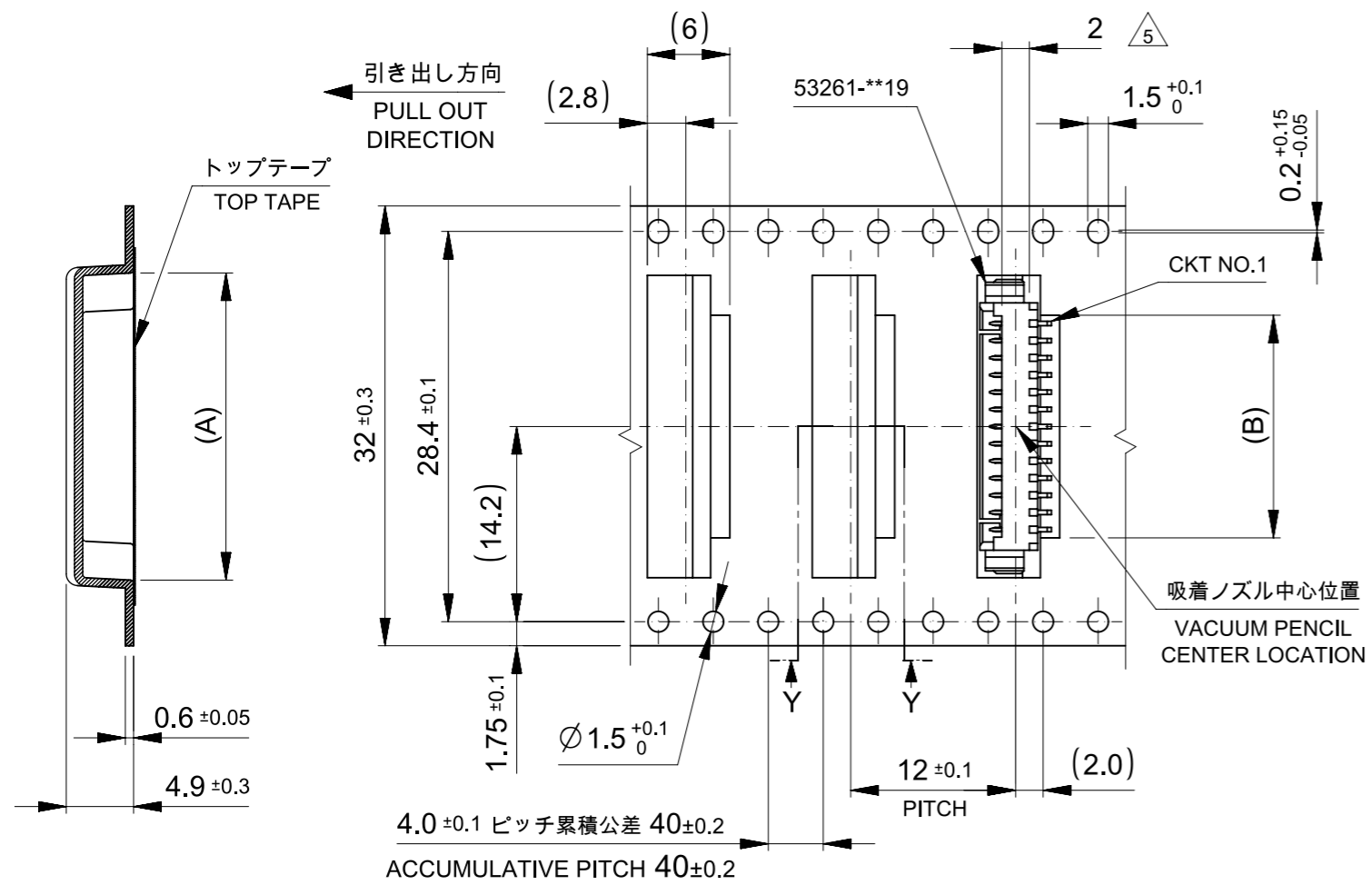


16mm幅キャリアテープ
16mm WIDTH CARRIER TAPE

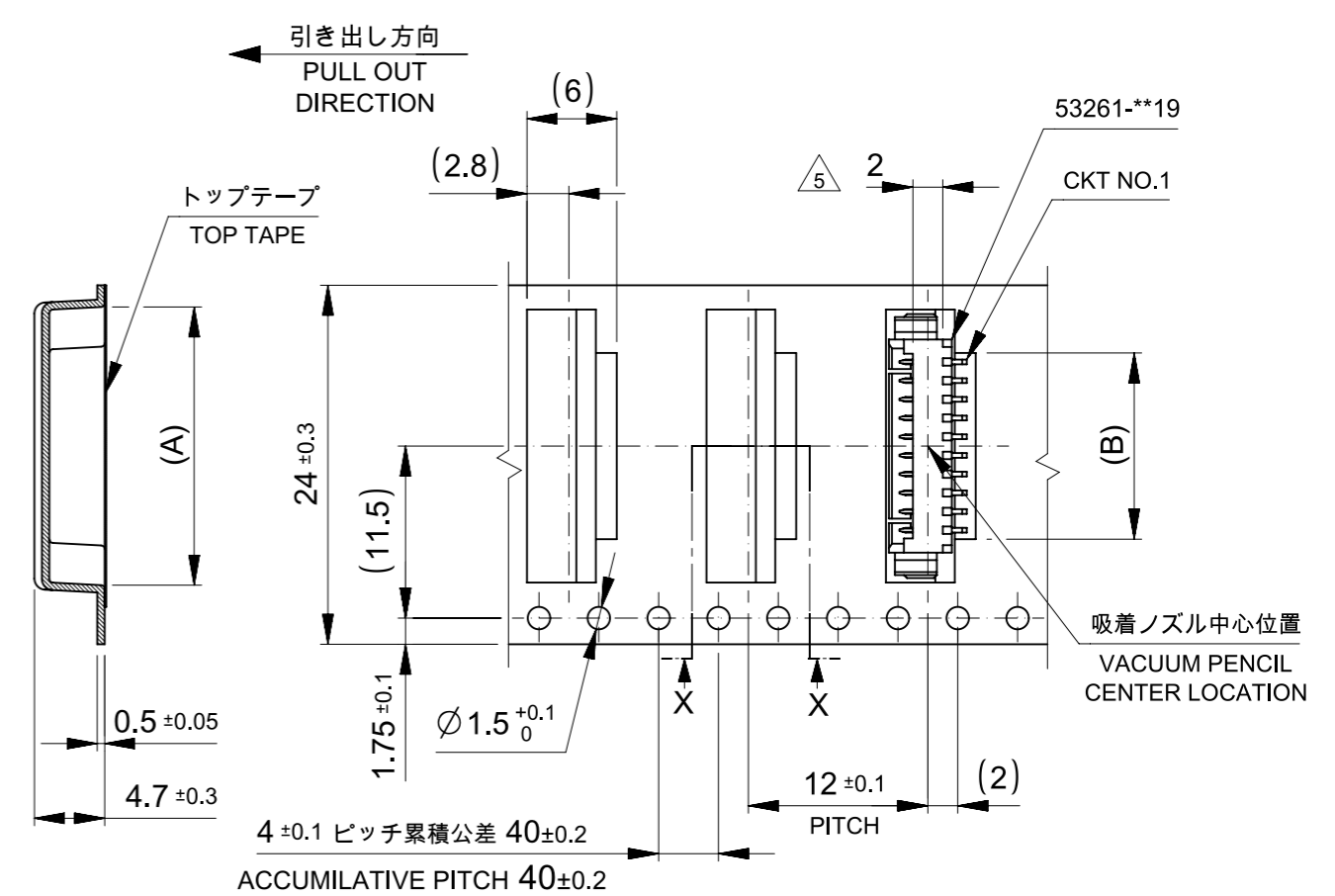
| | | | | | | |
|--------------------------------|------|------|------|------|------------|---|
| 16 | 21.4 | 17.4 | 3.7 | 9.5 | 53261-0371 | 3 |
| | | | 2.45 | 8.25 | 53261-0271 | 2 |
| キャリアテープ幅 CARRIER TAPE WIDTH | | D | C | B | A | EMBOSSED TAPE PACKAGE オーダー番号 ORDER NO. |
| | | | | | | 極数 CKT. |

| | | | | | | | |
|---|---------|-------------------------------|---------|--------------------------|-----------------|----------------|--------------|
| THIS DRAWING CONTAINS INFORMATION THAT IS PROPRIETARY TO MOLEX ELECTRONIC TECHNOLOGIES, LLC AND SHOULD NOT BE USED WITHOUT WRITTEN PERMISSION | | CURRENT REV DESC: | | molex | | | |
| DIMENSION UNITS | SCALE | | | | | | |
| mm | NTS | | | PRODUCT CUSTOMER DRAWING | | | |
| GENERAL TOLERANCES (UNLESS SPECIFIED) | | EC NO: 174889 | | DOCUMENT NUMBER | | | |
| ANGULAR TOL | ± 3.0 ° | DRWN: SOBARA01 2018/02/07 | | SD-53261-023 | | | |
| 4 PLACES | ± 0.2 | CHK'D: TKANEKO 2018/04/13 | | DOC TYPE | | | |
| 3 PLACES | ± 0.2 | APPR: TKANEKO 2018/04/13 | | PSD | | | |
| 2 PLACES | ± 0.2 | INITIAL REVISION: | | DOC PART | | | |
| 1 PLACE | ± 0.2 | DRWN: HSHIMABUKURO 2004/02/20 | | 001 | | | |
| 0 PLACES | ± 0.2 | APPR: MSASAO 2004/02/20 | | E | | | |
| DRAFT WHERE APPLICABLE MUST REMAIN WITHIN DIMENSIONS | | THIRD ANGLE PROJECTION | DRAWING | SERIES | MATERIAL NUMBER | CUSTOMER | SHEET NUMBER |
| | | | A3-SIZE | 53261 | SEE CHART | GENERAL MARKET | 1 OF 4 |

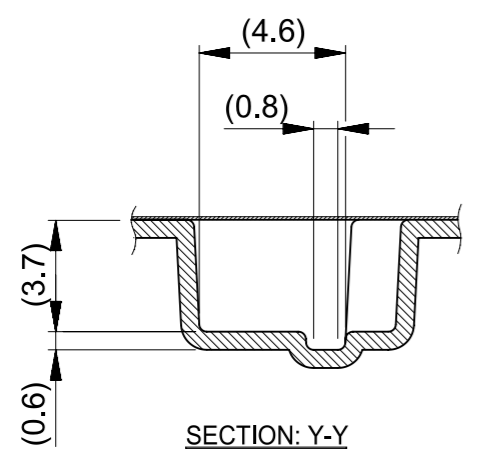
| | |
|-----------------|--------------|
| DOCUMENT STATUS | RELEASE DATE |
|-----------------|--------------|



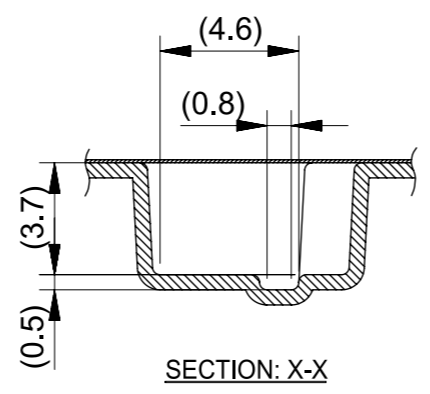
32mm幅キャリアテープ
32mm WIDTH CARRIER TAPE



24mm幅キャリアテープ
24mm WIDTH CARRIER TAPE



SECTION: Y-Y

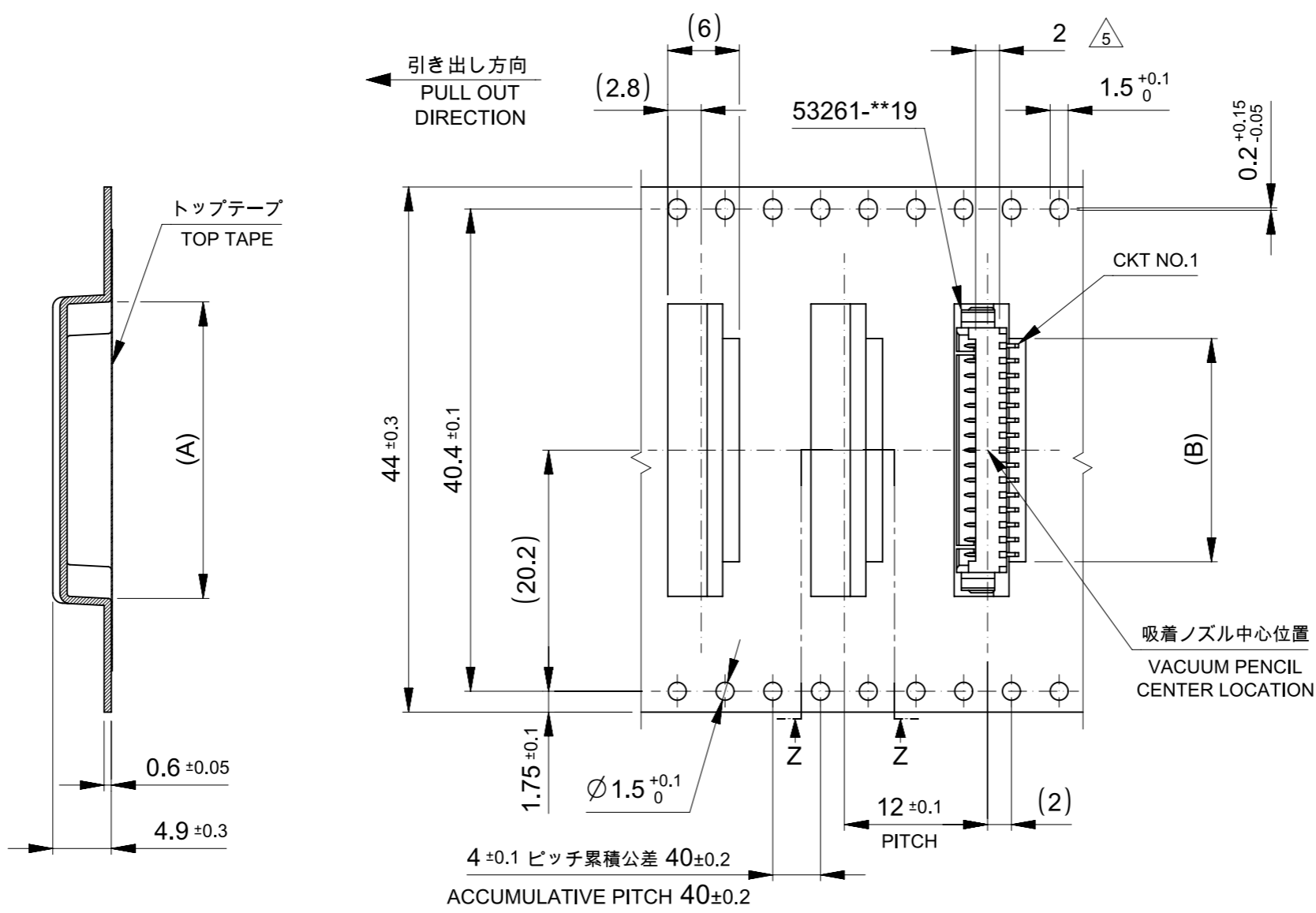


SECTION: X-X

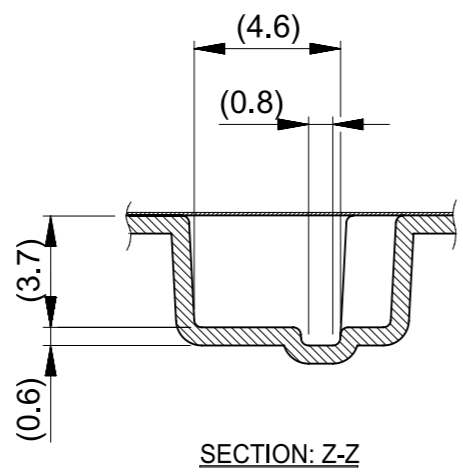
| | | | | | | | |
|--------------------------------|------|------|-------|-------|------------|---|------------|
| 32 | 37.4 | 33.4 | 16.2 | 22 | 53261-1371 | 13 | |
| | | | 14.95 | 20.75 | 53261-1271 | 12 | |
| | | | 13.7 | 19.5 | 53261-1171 | 11 | |
| 24 | 29.4 | 25.4 | 12.45 | 18.25 | 53261-1071 | 10 | |
| | | | 11.2 | 17 | 53261-0971 | 9 | |
| | | | 9.95 | 15.75 | 53261-0871 | 8 | |
| | | | 8.7 | 14.5 | 53261-0771 | 7 | |
| | | | 7.45 | 13.25 | 53261-0671 | 6 | |
| | | | 6.2 | 12 | 53261-0571 | 5 | |
| | | | 4.95 | 10.75 | 53261-0471 | 4 | |
| キャリアテープ幅 CARRIER TAPE WIDTH | | D | C | B | A | EMBOSSED TAPE PACKAGE オーダー番号 ORDER NO. | 極数 CKT. |

THIS DRAWING CONTAINS INFORMATION THAT IS PROPRIETARY TO MOLEX ELECTRONIC TECHNOLOGIES, LLC AND SHOULD NOT BE USED WITHOUT WRITTEN PERMISSION

| | | | | | | |
|--|------------------------|--------------------|------------|--------------------------|----------------|--------------|
| DIMENSION UNITS mm | SCALE NTS | CURRENT REV DESC: | | molex | | |
| GENERAL TOLERANCES (UNLESS SPECIFIED) | | EC NO: 174889 | | | | |
| ANGULAR TOL | ± 3.0 ° | DRWN: SOBARA01 | 2018/02/07 | PRODUCT CUSTOMER DRAWING | | |
| 4 PLACES | ± 0.2 | CHK'D: TKANEKO | 2018/04/13 | DOCUMENT NUMBER | | |
| 3 PLACES | ± 0.2 | APPR: TKANEKO | 2018/04/13 | DOC TYPE | | |
| 2 PLACES | ± 0.2 | INITIAL REVISION: | | DOC PART | | |
| 1 PLACE | ± 0.2 | DRWN: HSHIMABUKURO | 2004/02/20 | REVISION | | |
| 0 PLACES | ± 0.2 | APPR: MSASAO | 2004/02/20 | SD-53261-023 | | |
| DRAFT WHERE APPLICABLE MUST REMAIN WITHIN DIMENSIONS | THIRD ANGLE PROJECTION | DRAWING | SERIES | MATERIAL NUMBER | CUSTOMER | SHEET NUMBER |
| | | A3-SIZE | 53261 | SEE CHART | GENERAL MARKET | 2 OF 4 |



44mm幅キャリアテープ
44mm WIDTH CARRIER TAPE



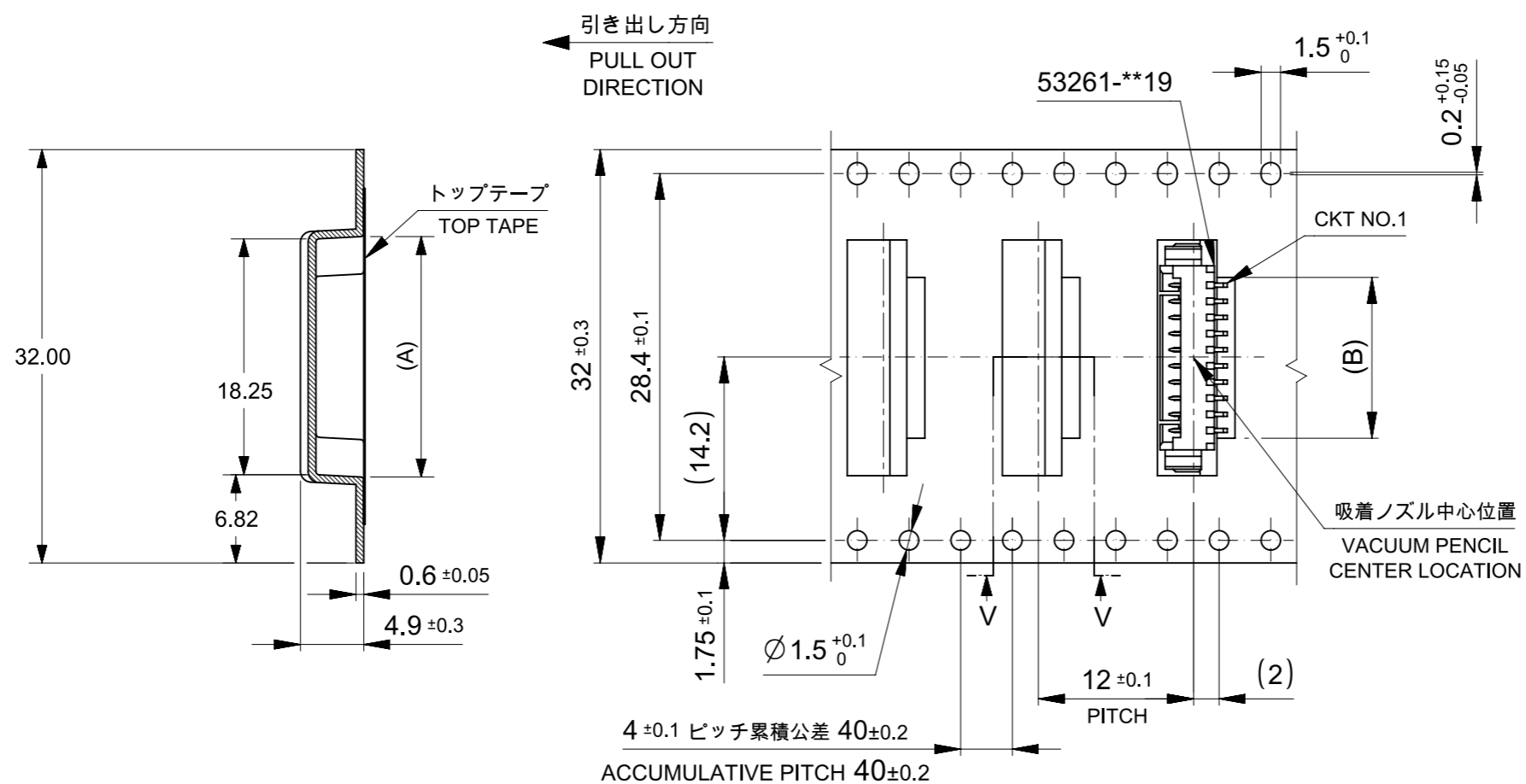
| | | | | | | | |
|--------------------------------|------|------|-------|-------|------------|---|------------|
| 44 | 49.4 | 45.4 | 21.2 | 27 | 53261-1771 | 17 | |
| | | | 18.7 | 24.5 | 53261-1571 | 15 | |
| | | | 17.45 | 23.25 | 53261-1471 | 14 | |
| キャリアテープ幅 CARRIER TAPE WIDTH | | D | C | B | A | EMBOSSED TAPE PACKAGE オーダー番号 ORDER NO. | 極数 CKT. |

THIS DRAWING CONTAINS INFORMATION THAT IS PROPRIETARY TO MOLEX ELECTRONIC TECHNOLOGIES, LLC AND SHOULD NOT BE USED WITHOUT WRITTEN PERMISSION

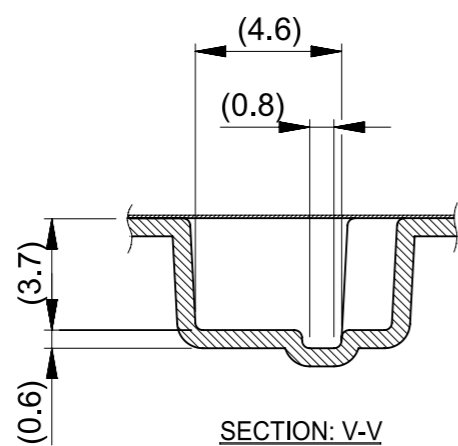
| | | | | | | |
|--|---------------------|-------------------------------|---------|--------------------------|-----------------|----------------|
| DIMENSION UNITS mm | SCALE NTS | CURRENT REV DESC: | | molex | | |
| GENERAL TOLERANCES (UNLESS SPECIFIED) | | EC NO: 174889 | | | | |
| ANGULAR TOL | ± 3.0 ° | DRWN: SOBARA01 2018/02/07 | | PRODUCT CUSTOMER DRAWING | | |
| 4 PLACES | ± 0.2 | CHK'D: TKANEKO 2018/04/13 | | DOCUMENT NUMBER | | |
| 3 PLACES | ± 0.2 | APPR: TKANEKO 2018/04/13 | | SD-53261-023 | | |
| 2 PLACES | ± 0.2 | INITIAL REVISION: | | DOC TYPE | DOC PART | REVISION |
| 1 PLACE | ± 0.2 | DRWN: HSHIMABUKURO 2004/02/20 | | PSD | 001 | E |
| 0 PLACES | ± 0.2 | APPR: MSASAO 2004/02/20 | | SHEET NUMBER | | |
| DRAFT WHERE APPLICABLE MUST REMAIN WITHIN DIMENSIONS | | THIRD ANGLE PROJECTION | DRAWING | SERIES | MATERIAL NUMBER | CUSTOMER |
| | | | A3-SIZE | 53261 | SEE CHART | GENERAL MARKET |

| | |
|-----------------|--------------|
| DOCUMENT STATUS | RELEASE DATE |
|-----------------|--------------|

53261-1071
 韓国生産分に適用
 APPLIES TO PRODUCT
 PRODUCED BY MXK



32mm幅キャリアテープ
 32mm WIDTH CARRIER TAPE



| | | | | | | |
|--------------------------------|------|------|-------|-------|-----------------------|------------|
| 32 | 37.4 | 33.4 | 12.45 | 18.25 | 53261-1071 | 10 |
| キャリアテープ幅 CARRIER TAPE WIDTH | D | C | B | A | EMBOSSED TAPE PACKAGE | 極数 CKT. |
| | | | | | オーダー番号 ORDER NO. | |

| | | | | | | | |
|---|-------|-------------------------------|--|--------------------------|--|-----------------|--|
| THIS DRAWING CONTAINS INFORMATION THAT IS PROPRIETARY TO MOLEX ELECTRONIC TECHNOLOGIES, LLC AND SHOULD NOT BE USED WITHOUT WRITTEN PERMISSION | | CURRENT REV DESC: | | molex | | | |
| DIMENSION UNITS | SCALE | | | | | | |
| mm | NTS | | | PRODUCT CUSTOMER DRAWING | | | |
| GENERAL TOLERANCES (UNLESS SPECIFIED) | | EC NO: 174889 | | DOCUMENT NUMBER | | | |
| ANGULAR TOL ± 3.0 ° | | DRWN: SOBARA01 2018/02/07 | | DOC TYPE | | | |
| 4 PLACES ± 0.2 | | CHK'D: TKANEKO 2018/04/13 | | DOC PART | | | |
| 3 PLACES ± 0.2 | | APPR: TKANEKO 2018/04/13 | | REVISION | | | |
| 2 PLACES ± 0.2 | | INITIAL REVISION: | | SD-53261-023 | | | |
| 1 PLACE ± 0.2 | | DRWN: HSHIMABUKURO 2004/02/20 | | PSD | | | |
| 0 PLACES ± 0.2 | | APPR: MSASAO 2004/02/20 | | 001 | | | |
| DRAFT WHERE APPLICABLE MUST REMAIN WITHIN DIMENSIONS | | THIRD ANGLE PROJECTION | | DRAWING | | SERIES | |
| | | A3-SIZE | | 53261 | | MATERIAL NUMBER | |
| | | SEE CHART | | CUSTOMER | | GENERAL MARKET | |
| | | | | | | SHEET NUMBER | |
| | | | | | | 4 OF 4 | |

| | |
|-----------------|--------------|
| DOCUMENT STATUS | RELEASE DATE |
|-----------------|--------------|

