

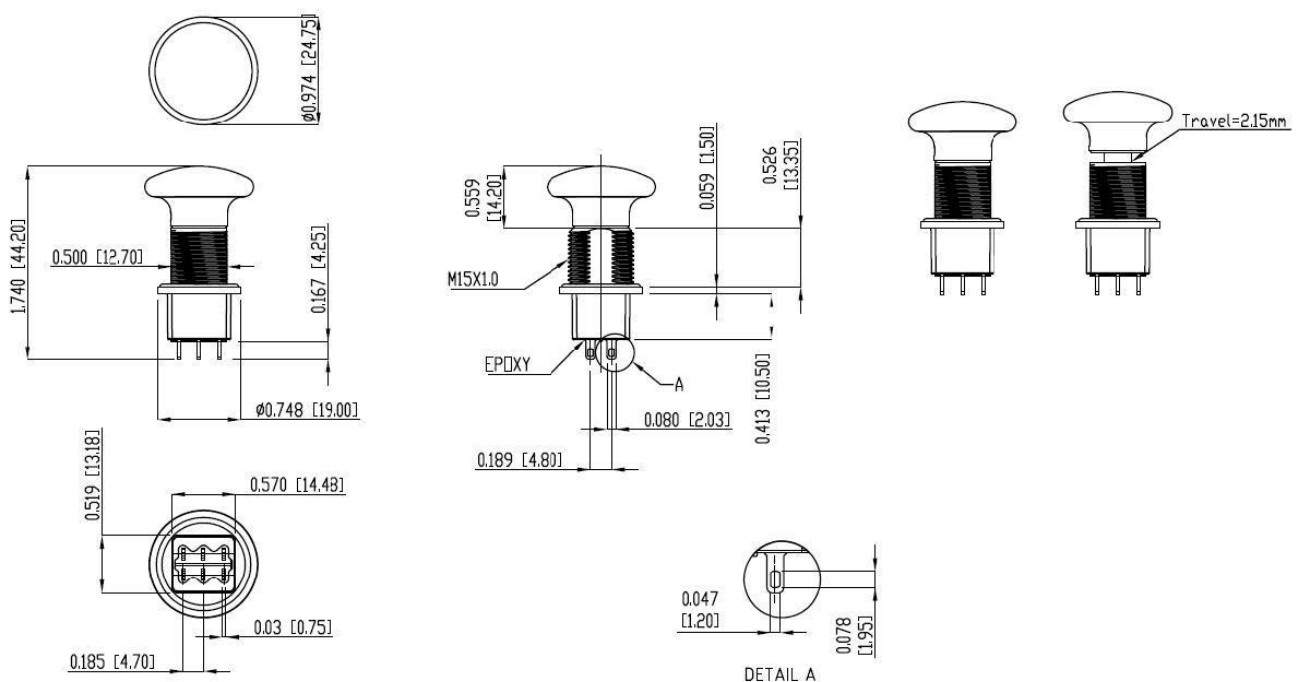
Sealed Pull-Push Switch



Specification

Contact Material	Copper Alloy, Gold Over Silver Plated
Terminal Material	Copper Alloy, Gold Over Silver Plated
Contact Resistance	20 mOhm max
Contact Configuration	DPDT
Contact Rating	1 A @ 125 VAC or 38 VDC
Insulation Resistance	1000 MOhm min., 500 VDC
Dielectric Strength	1500 VAC for 1 minute
Electrical Life	10000 Cycles
Operating Temperature Min.	-30 °C
Operating Temperature Max.	85 °C
Switch Function	ON-(ON)
Knob Colour	Red
Operating Force	18 N, +/- 2 N (push & pull)
Torque	1.5 Nm max., applied to nut
Sealing	IP67
Case	FR52, UL94V-0
Actuator Material	Brass, nickel plated
Knob Material	Aluminum, anodized
Terminal Seal	Epoxy

Drawing



Art. Nr.
RND 210-00616