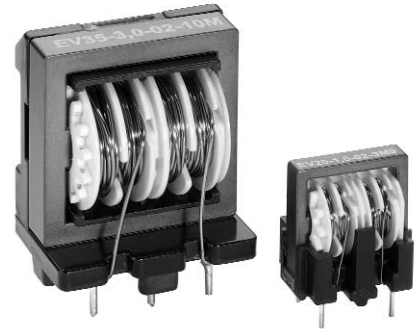


## Common mode suppression chokes EV Series

- Current rating up to 5A
- Broadband attenuation characteristics
- Low leakage flux
- UL rated materials

- Nennströme bis 5A
- Breitbandige Dämpfungseigenschaften
- Minimaler Streufluss
- UL konformes Material

- Courant nominal jusqu'à 5A
- Atténuation large bande
- Faible inductance de fuite
- Matériaux UL



Choke	L <sub>nominal</sub> (±30%) mH	DC resistance R mΩ	Rated current I (50°C) A	Weight g
EV20-0.3-02-33M	33	1780	0.3	10
EV20-0.5-02-18M	18	725	0.5	10
EV20-0.8-02-5M6	5.6	245	0.8	10
EV20-1.0-02-3M9	3.9	168	1.0	10
EV20-1.2-02-3M3	3.3	127	1.2	10
EV20-1.5-02-1M8	1.8	72	1.5	10
EV20-2.0-02-0M8	0.82	38	2.0	10
EV24-0.5-02-44M	44	1250	0.5	18
EV24-0.8-02-18M	18	438	0.8	18
EV24-1.0-02-10M	10	244	1.0	18
EV24-1.5-02-4M5	4.5	116	1.5	18
EV24-2.0-02-2M5	2.5	62	2.0	18
EV24-3.0-02-1M2	1.2	29	3.0	18
EV24-4.0-02-0M5	0.5	16	4.0	18
EV28-1.0-02-36M	36	591	1.0	31
EV28-1.5-02-20M	20	282	1.5	31
EV28-2.0-02-11M	11	162	2.0	31
EV28-3.0-02-5M0	5	79	3.0	31
EV28-4.0-02-2M3	2.3	40	4.0	31
EV28-5.0-02-1M1	1.1	27	5.0	31
EV35-1.0-02-90M	90	628	1.0	70
EV35-2.0-02-20M	20	150	2.0	70
EV35-3.0-02-10M	10	72	3.0	70
EV35-4.0-02-5M0	5	53	4.0	70
EV35-5.0-02-3M6	3.6	33	5.0	70

\*All wires rated 130°C or higher

### Environmental ratings

Maximum operating voltage: 250V @ 50°C  
 High potential test voltage winding-to-winding @ 25°C: 3000VAC, 60 sec, guaranteed  
 2000V, 50Hz, 2 sec, factory test  
 Overcurrent: 1.5 x I<sub>nominal</sub> for 60 sec, once every hour  
 DC to 400Hz @ 50°C  
 Power operating frequency: DC to 400Hz @ 50°C  
 Operating/storage temperature: -25°C to +100°C  
 Climatic class per IEC68: 25/100/21  
 Flammability: UL94-V0

### Test conditions

Measuring frequency: 10kHz; 5mA < 16μH; 500μA > 16μH < 160μH; 50μA > 160μH < 16mH; 50mV > 16mH < 160mH; inductance tolerance ± 30%  
 Resistance: tolerance max. ± 15% @ 25°C; ≤ 20mΩ 1A; > 20mΩ ≤ 200mΩ 100mA; > 200mΩ ≤ 2V 10mA  
 Electrical characteristics @ 25°C ± 2°C

## Common mode suppression chokes EH Series

- Current rating up to 5A
- Broadband attenuation characteristics
- Low leakage flux
- UL rated materials

- Nennströme bis 5A
- Breitbandige Dämpfungseigenschaften
- Minimaler Streufluss
- UL konformes Material

- Courant nominal jusqu'à 5A
- Atténuation large bande
- Faible inductance de fuite
- Matériaux UL



Choke	Lnominal (±30%) mH	DC resistance R mΩ	Rated current I (50°C) A	Weight g
EH20-0.3-02-33M	33	1780	0.3	10
EH20-0.5-02-18M	18	725	0.5	10
EH20-0.8-02-5M6	5.6	245	0.8	10
EH20-1.0-02-3M9	3.9	168	1.0	10
EH20-1.2-02-3M3	3.3	127	1.2	10
EH20-1.5-02-1M8	1.8	72	1.5	10
EH20-2.0-02-0M8	0.82	38	2.0	10
EH24-0.5-02-44M	44	1250	0.5	18
EH24-0.8-02-18M	18	438	0.8	18
EH24-1.0-02-10M	10	244	1.0	18
EH24-1.5-02-4M5	4.5	116	1.5	18
EH24-2.0-02-2M5	2.5	62	2.0	18
EH24-3.0-02-1M2	1.2	29	3.0	18
EH24-4.0-02-0M5	0.5	16	4.0	18
EH28-1.0-02-36M	36	591	1.0	31
EH28-1.5-02-20M	20	282	1.5	31
EH28-2.0-02-11M	11	162	2.0	31
EH28-3.0-02-5M0	5	79	3.0	31
EH28-4.0-02-2M3	2.3	40	4.0	31
EH28-5.0-02-1M1	1.1	27	5.0	31
EH35-1.0-02-90M	90	628	1.0	70
EH35-2.0-02-20M	20	150	2.0	70
EH35-3.0-02-10M	10	72	3.0	70
EH35-4.0-02-5M0	5	53	4.0	70
EH35-5.0-02-3M6	3.6	33	5.0	70

\*All wires rated 130°C or higher

### Environmental ratings

Maximum operating voltage: 250V @ 50°C  
 High potential test voltage winding-to-winding @ 25°C: 3000VAC, 60 sec, guaranteed  
 2000V, 50Hz, 2 sec, factory test  
 Overcurrent: 1.5 x I<sub>nominal</sub> for 60 sec, once every hour  
 Power operating frequency: DC to 400Hz @ 50°C  
 Operating/storage temperature: -25°C to +100°C  
 Climatic class per IEC68: 25/100/21  
 Flammability: UL94-V0

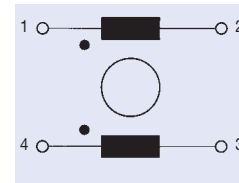
### Test conditions

Measuring frequency: 10kHz; 5mA < 16μH;  
 500μA > 16μH < 160μH; 50μA > 160μH < 16mH;  
 50mV > 16mH < 160mH; inductance tolerance ± 30%  
 Resistance: tolerance max. ± 15% @ 25°C;  
 ≤ 20mΩ 1A; > 20mΩ ≤ 200mΩ 100mA; > 200mΩ ≤ 2V 10mA  
 Electrical characteristics @ 25°C ± 2°C

## Mechanical data

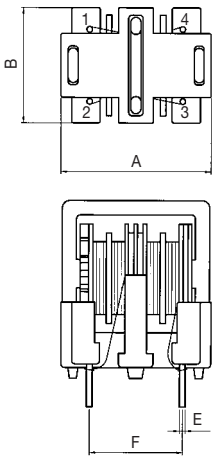
## Electrical schematic

	EV20	EV24	EV28	EV35	EH20	EH24	EH28	EH35	Tol. mm
<b>A</b>	21.0	24.6	29.2	36.0	21.0	24.0	28.0	36.0	± 1
<b>B</b>	16.0	17.4	21.0	24.5	21.0	24.0	28.0	36.0	± 1
<b>C</b>	25.0	29.1	34.7	42.7	17.8	20.0	22.9	27.7	± 1
<b>D</b>	4.0	4.0	4.0	4.0	4.0	4.0	4.0	4.0	± 1
<b>E</b>	∅0.8	∅0.8	∅0.8	∅1.2	∅0.8	∅0.8	∅0.8	∅1.0	± 0.1
<b>F</b>	13.0	13.0	13.0	21.0	13.0	21.0	24.0	30.0	± 0.5
<b>G</b>	10.0	10.0	10.0	15.0	10.0	15.0	20.0	25.0	± 0.5

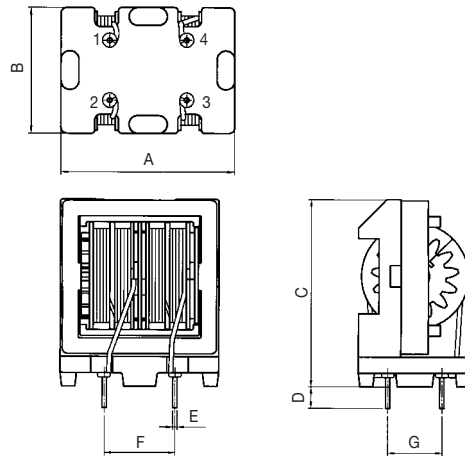


All dimensions in mm; 1 inch = 25.4 mm

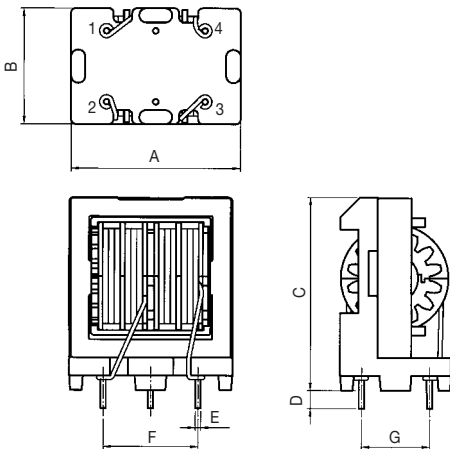
### EV20



### EV24, EV28



### EV35



### EH20-EH35

