

# SIMONWORK

# BT2 1200

mobile\*



**Simon Rack**  
SINCE 1964 - MANUFACTURER

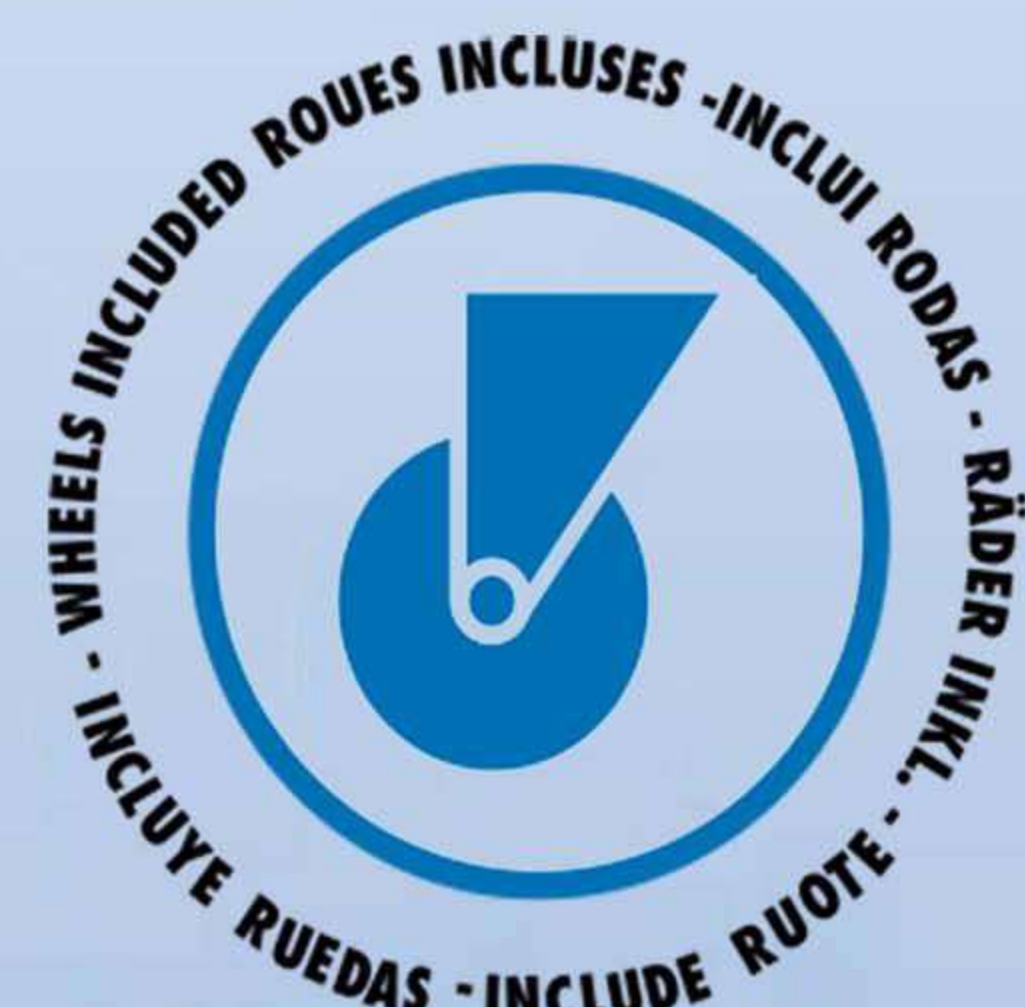
## 152 x 121 x 61 cm

## 59.2" x 47.6" x 24.0"



75 kg  
(165 lb)

75 kg  
(165 lb)



**Carga uniformemente repartida**  
**Evenly distributed load**  
**Gleichmäßig verteilte Last**  
**Charge uniformément répartie**  
**Carga uniformemente distribuída**

- 1 x 120 x 60 cm (47.2" x 23.6")
- 2 x 84 cm (33.1")
- 2 x 144 cm (56.7")
- 4 x 120 cm (47.2")
- 4 x 60 cm (23.6")
- 1 x MDF 120 x 60 cm (47.2" x 23.6")
- 1 x 120 x 35 cm (47.2" x 13.8")
- 1 x 120 cm (47.2")
- 60 cm (23.6")
- 8 x [nuts and bolts]
- 2 x [casters]
- 2 x [casters]
- 12 x [nuts and bolts]



ESTANTERIAS SIMON S.L. B.50.556.463  
PG. ALFAMEN C/ POLIGONO C. Nº3  
ALFAMEN (ZARAGOZA)

www.simonrack.com\*

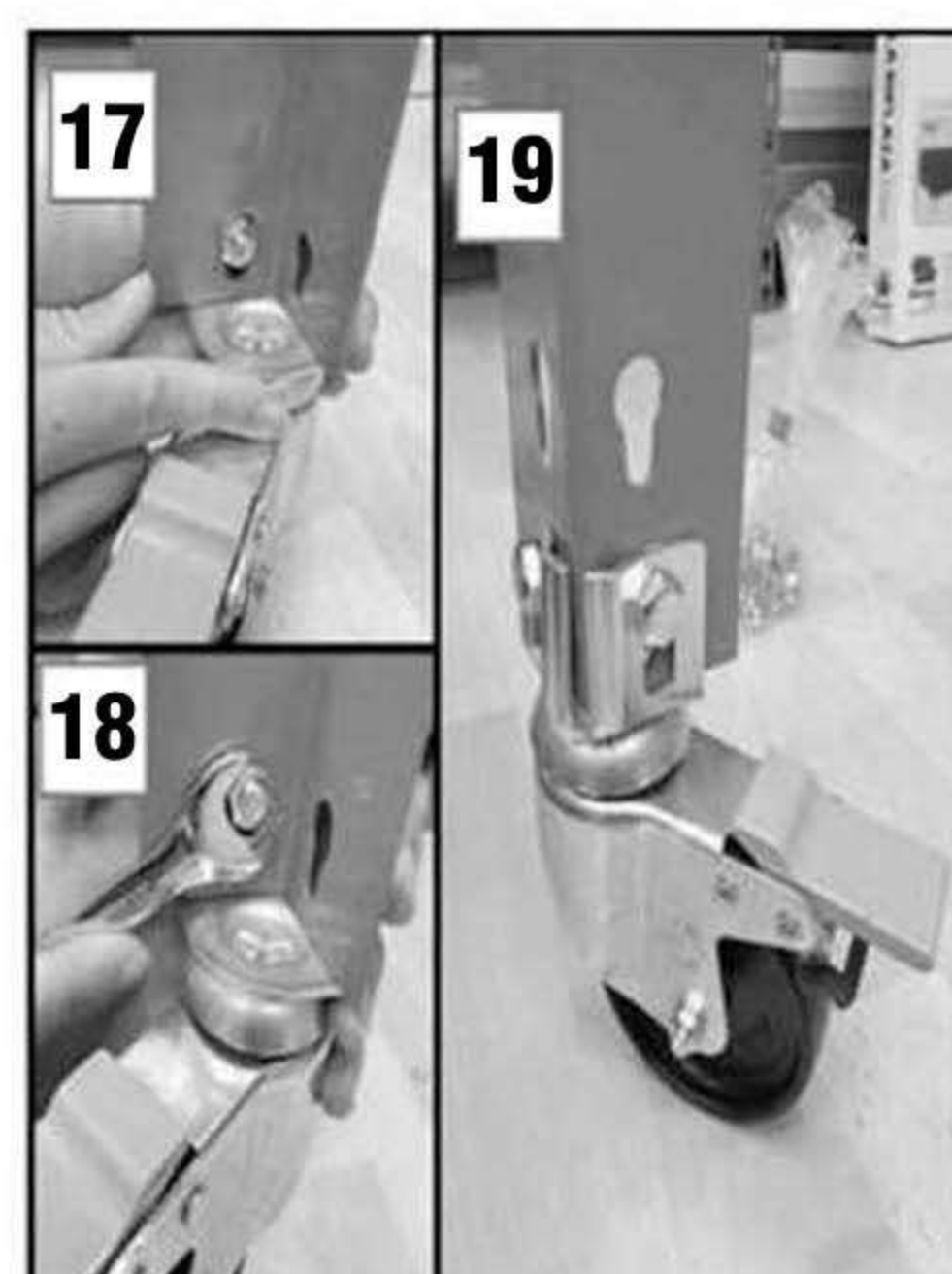
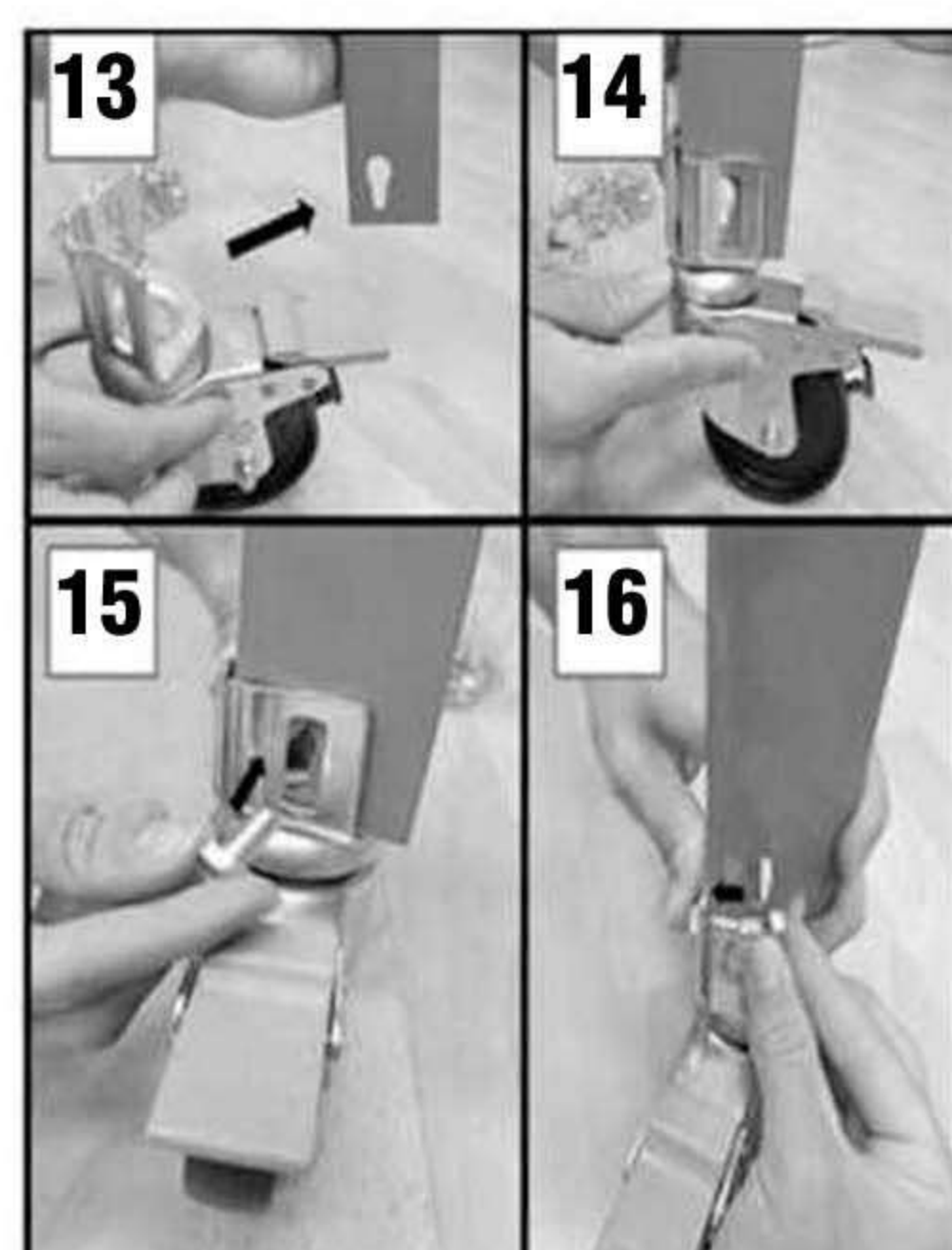
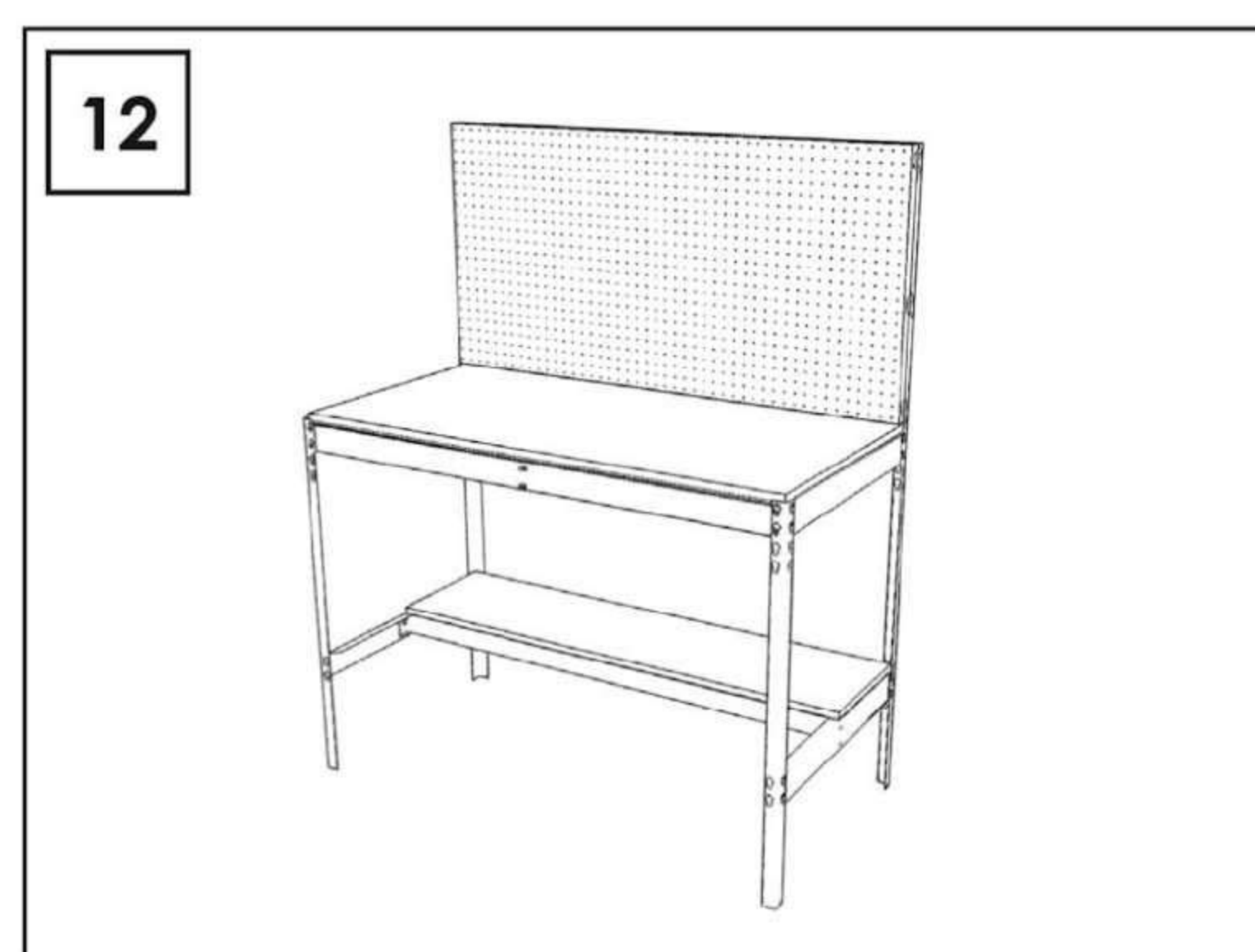
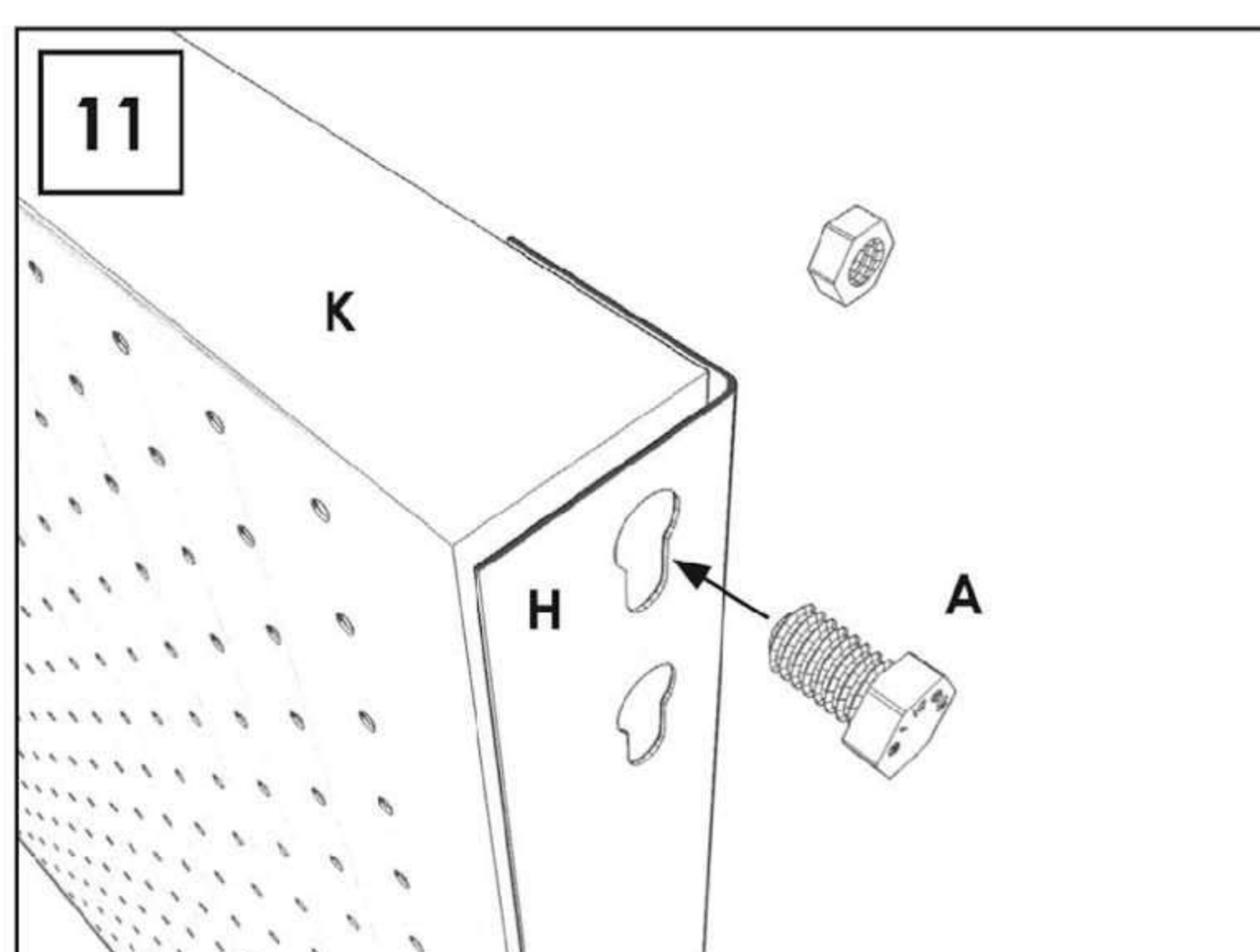
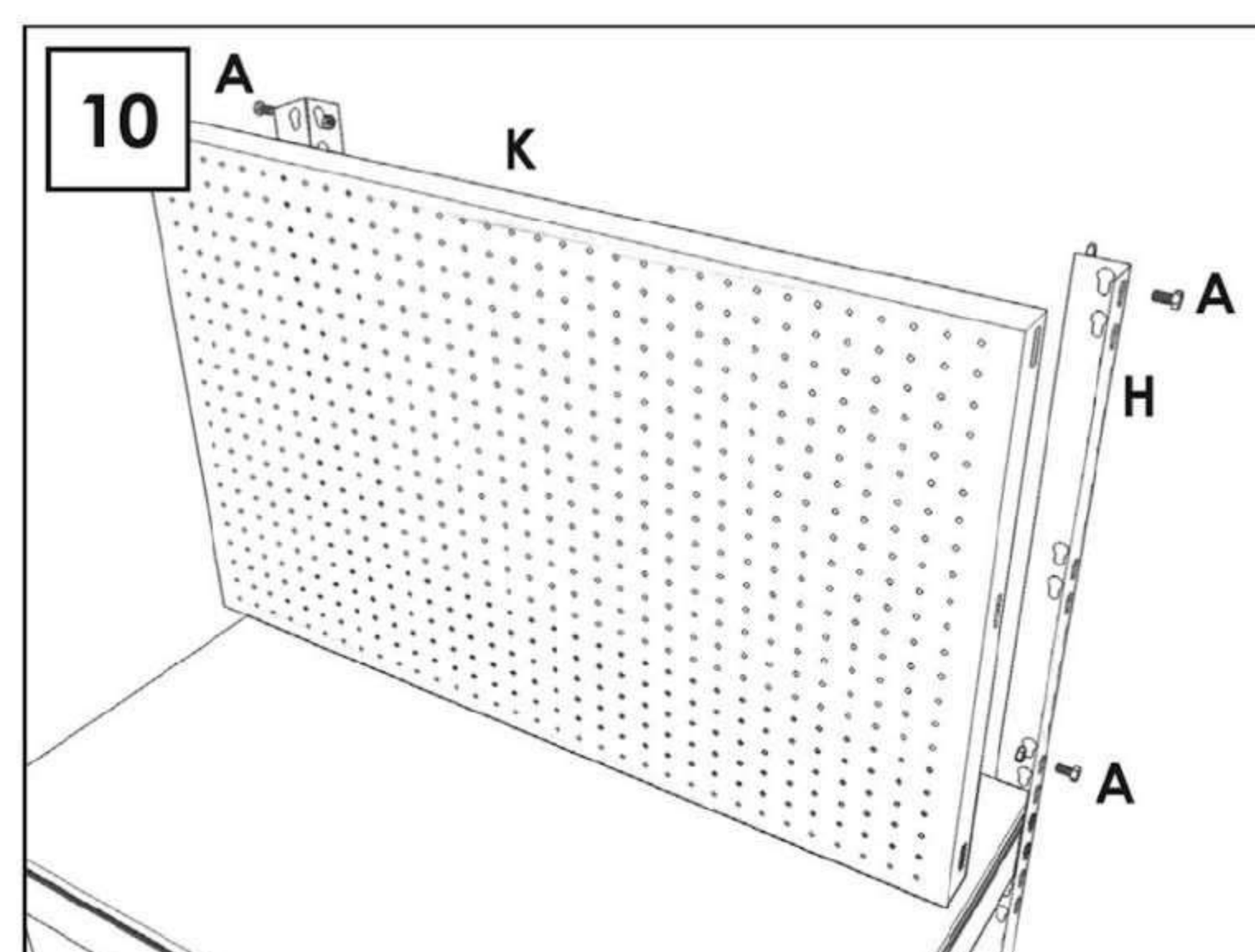
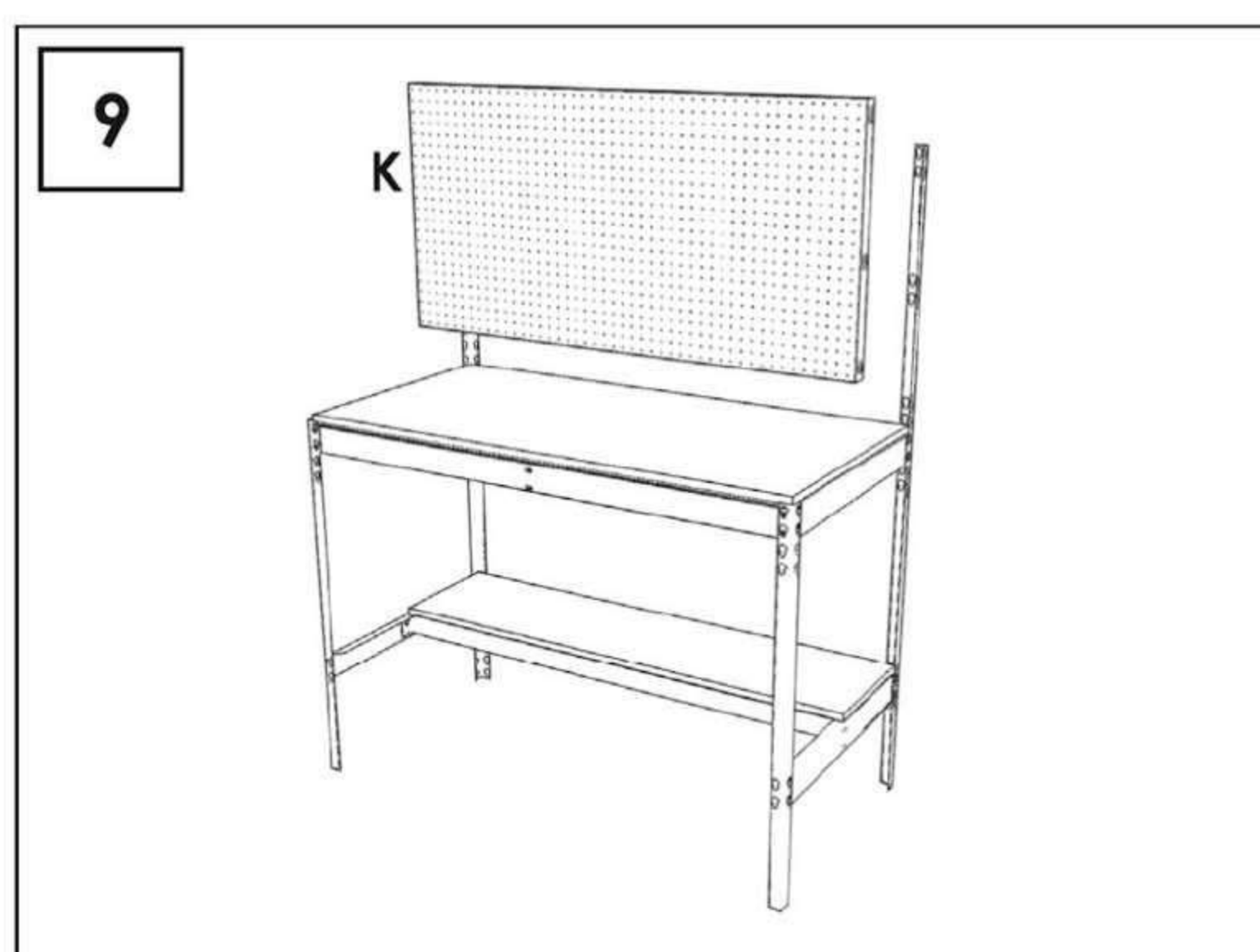
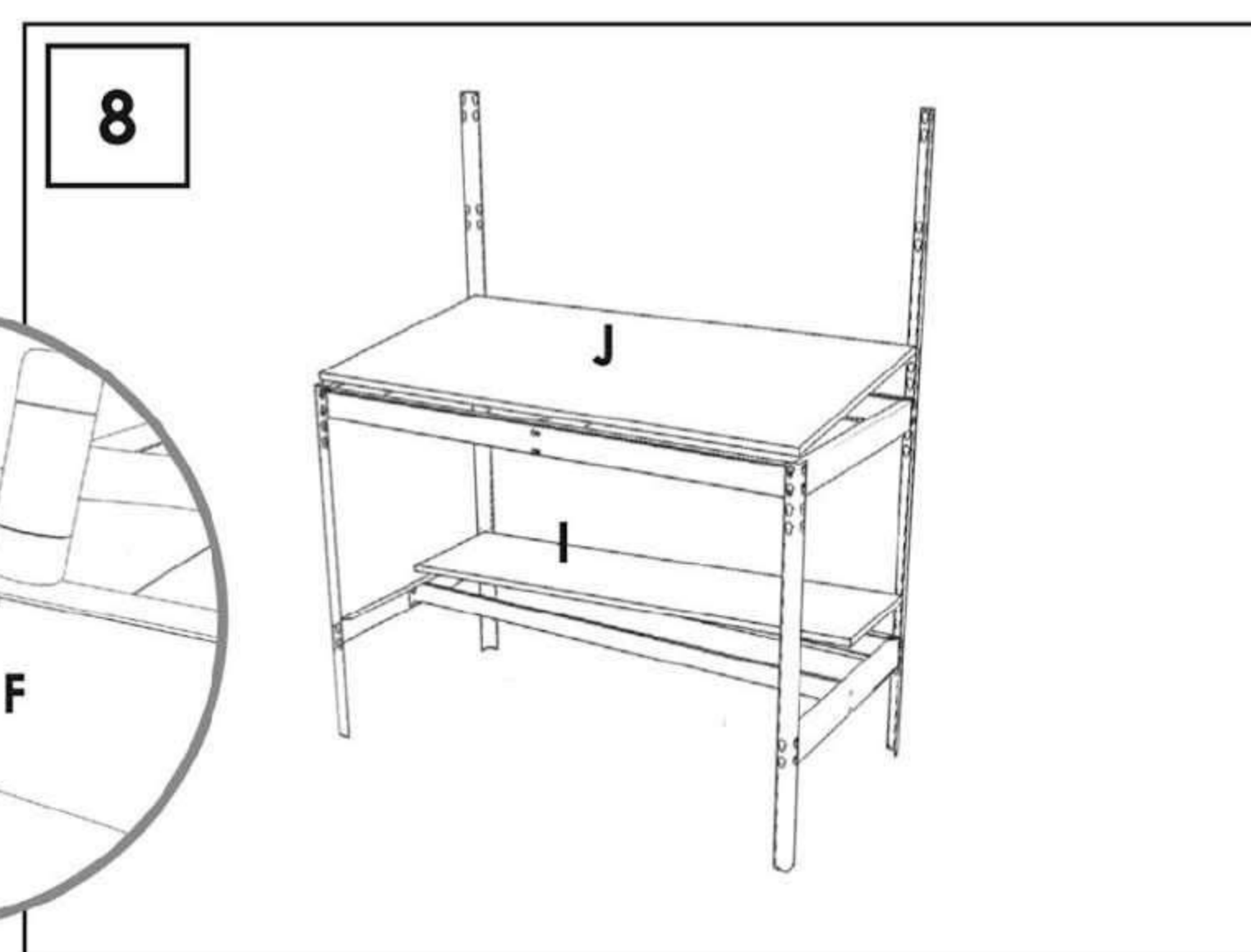
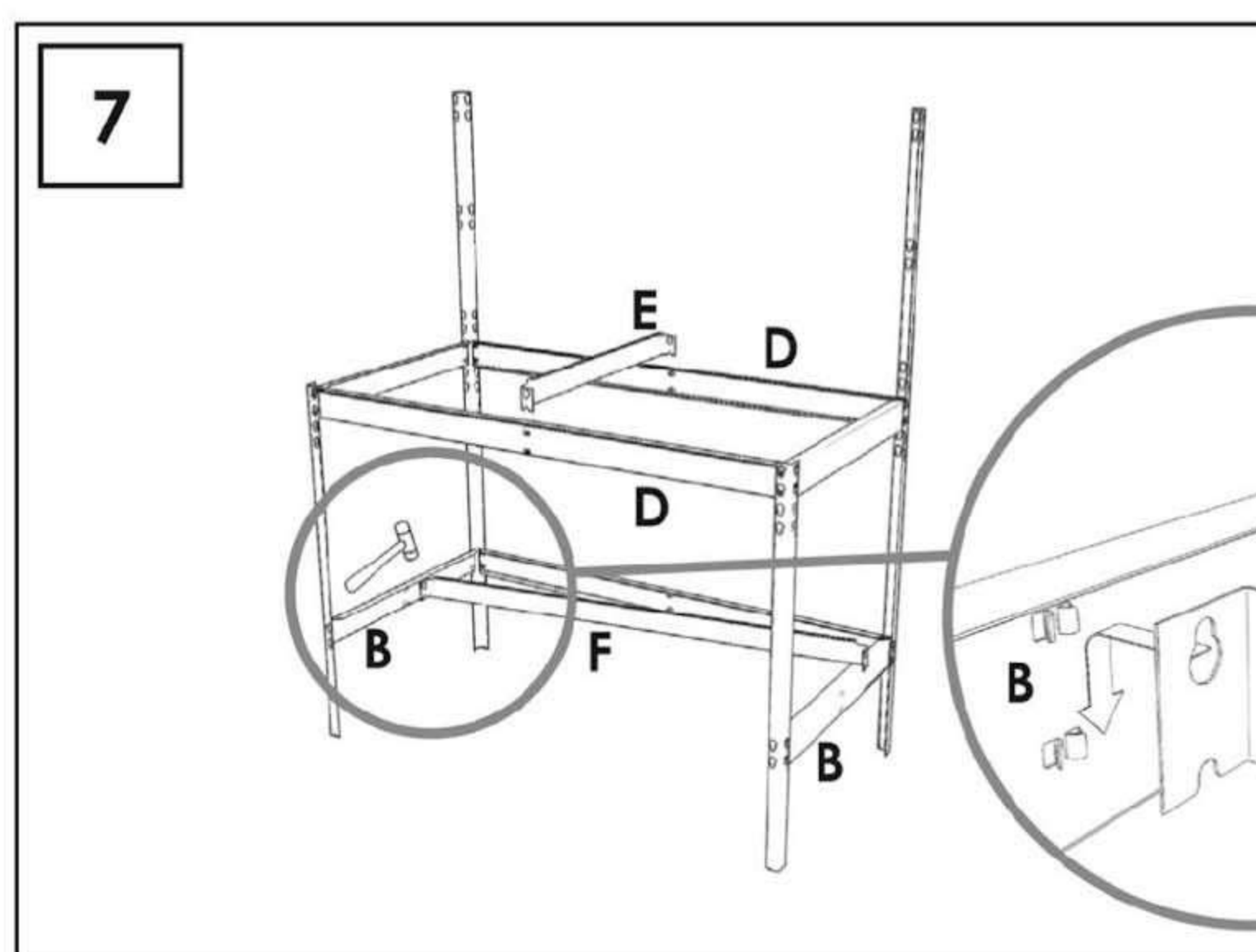
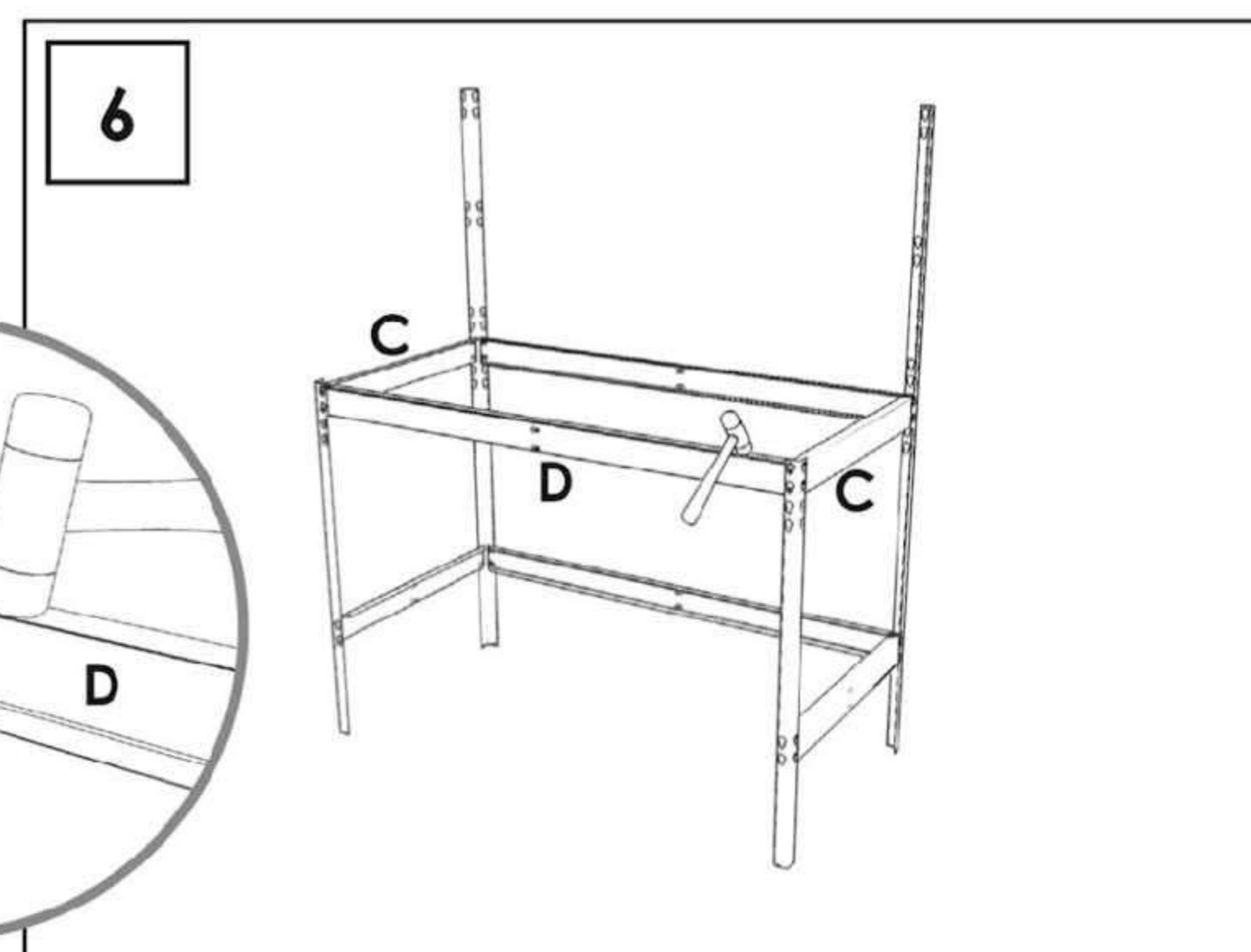
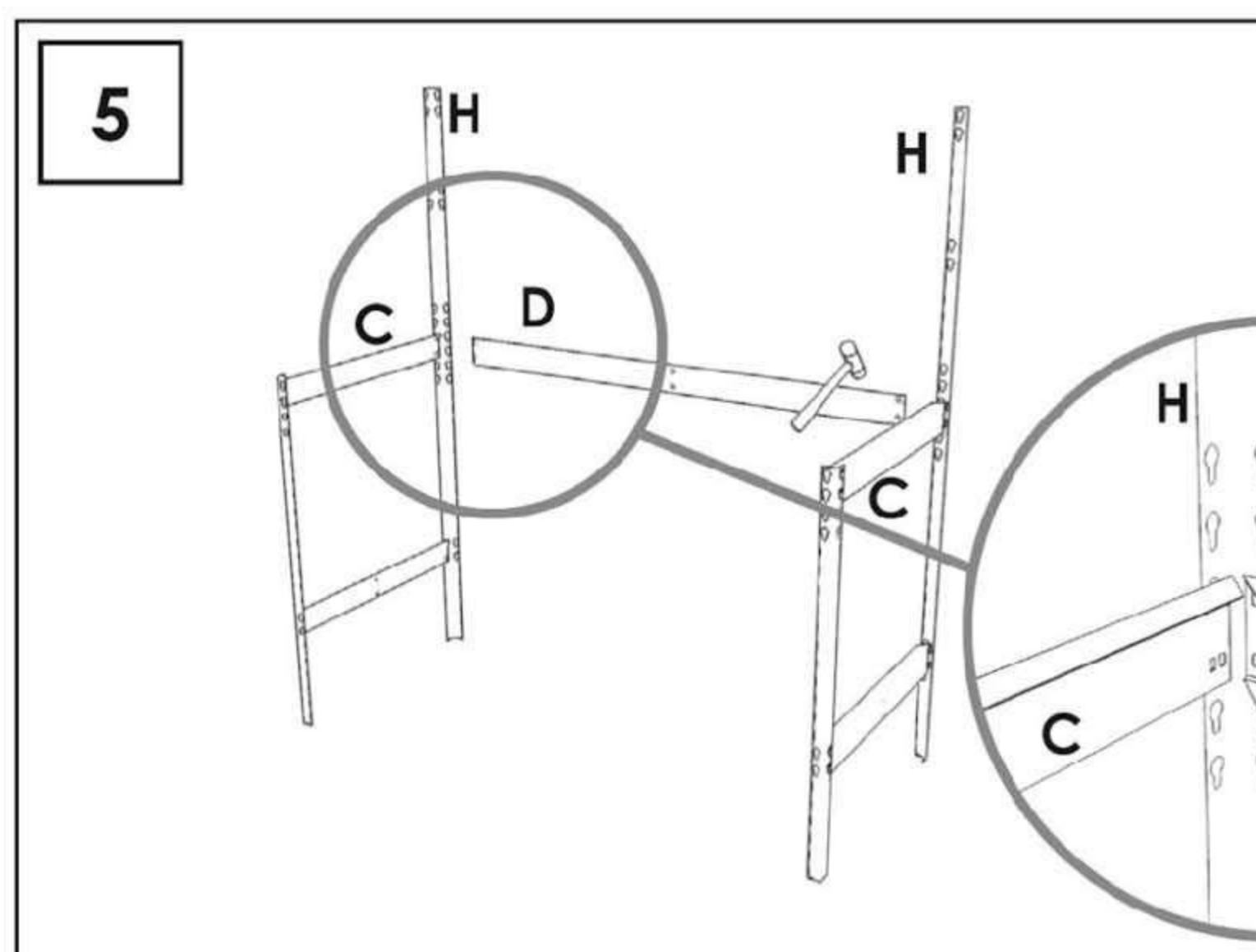
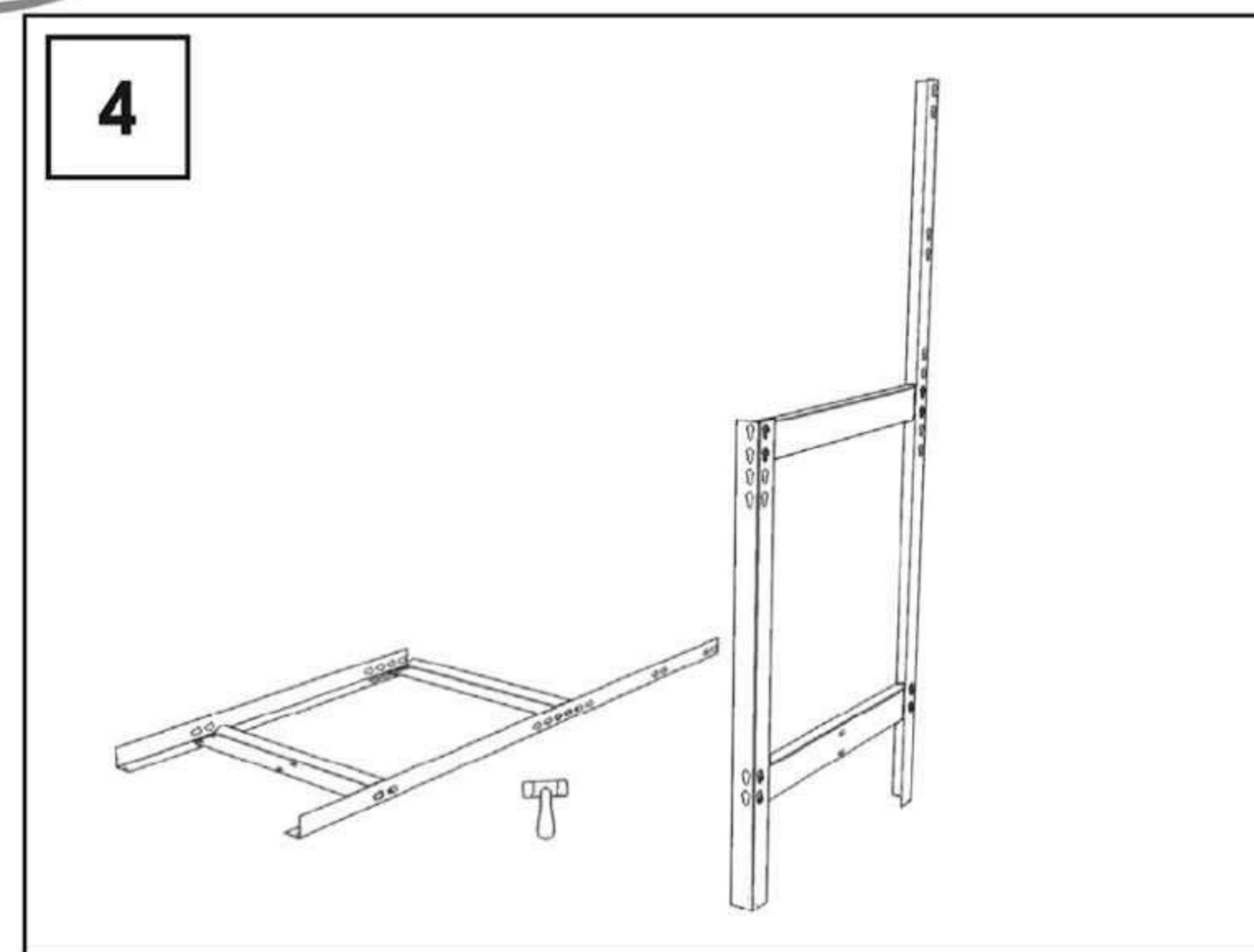
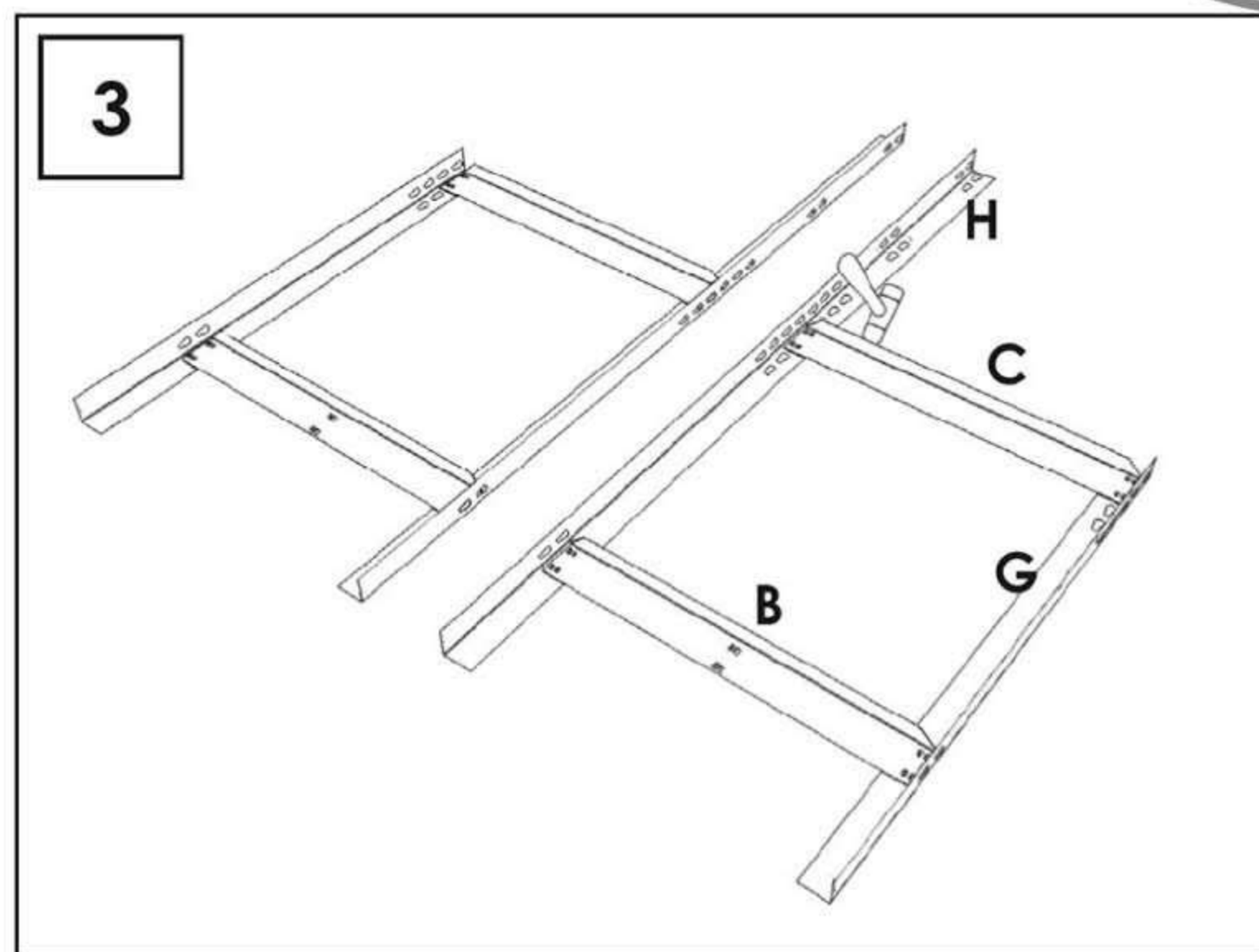
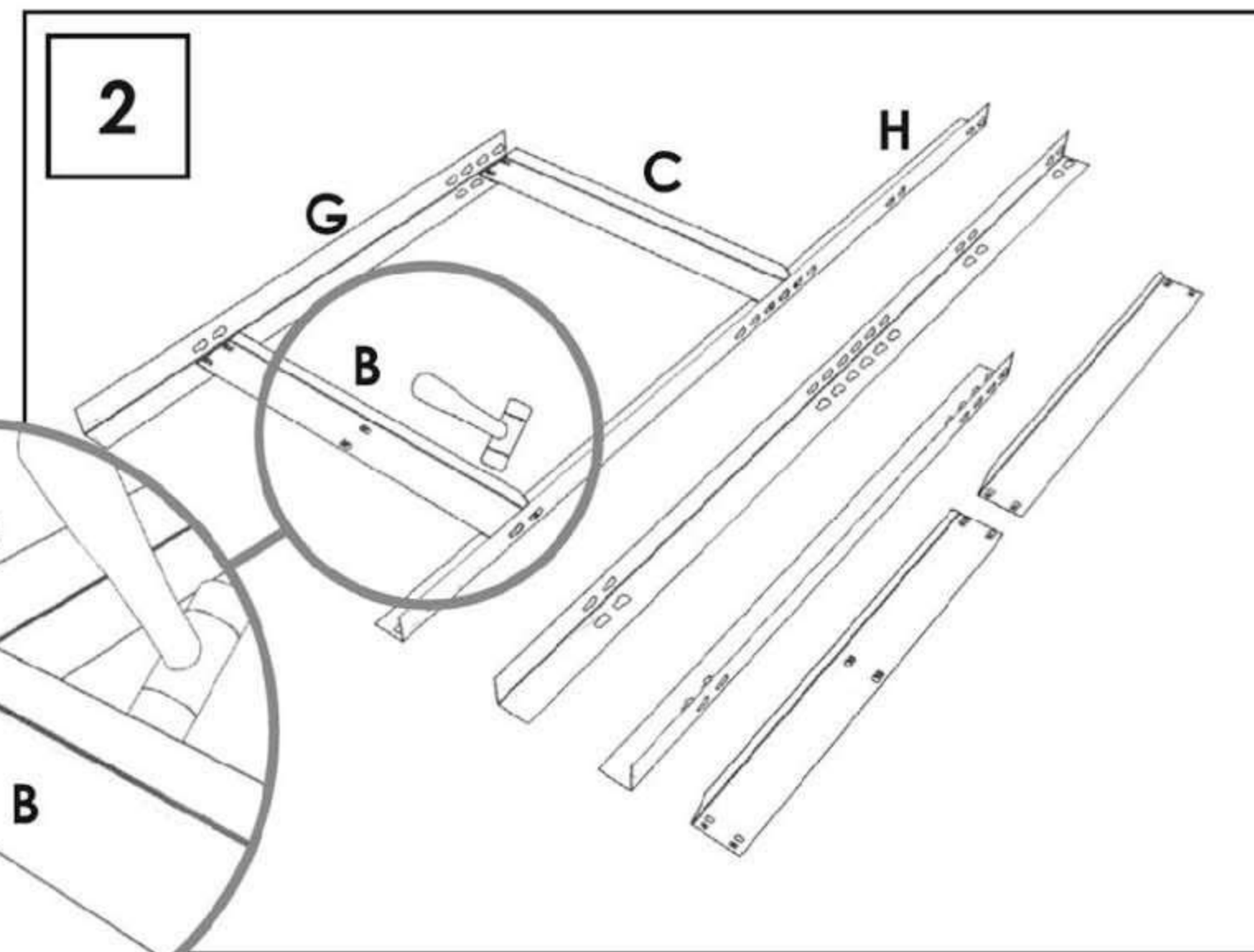
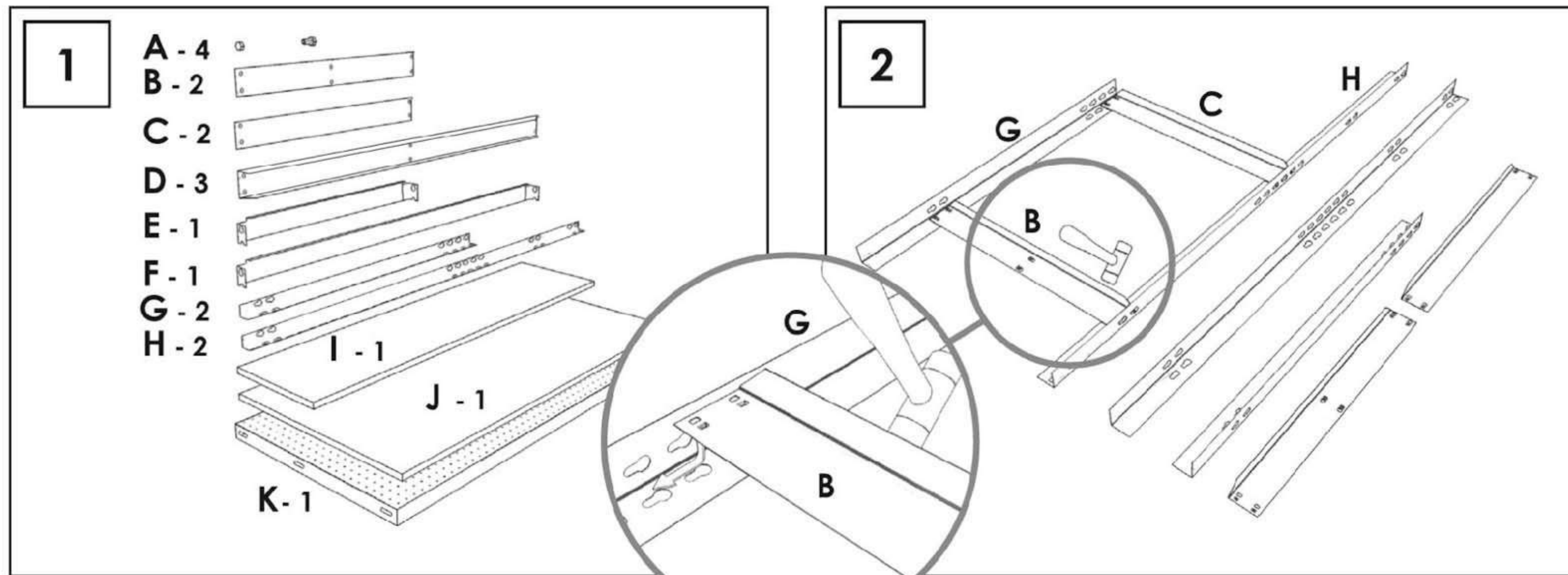


www.simonrack.com



INSTRUCCIONES  
INSTRUCTIONS  
ANLEITUNG  
INSTRUCTIONS





**SIMONCLASSIC**



**SIMONCLICK**



**SIMONTALLER**



**SIMONAUTO**



**SIMONWORK**



**SIMONLOCKER**



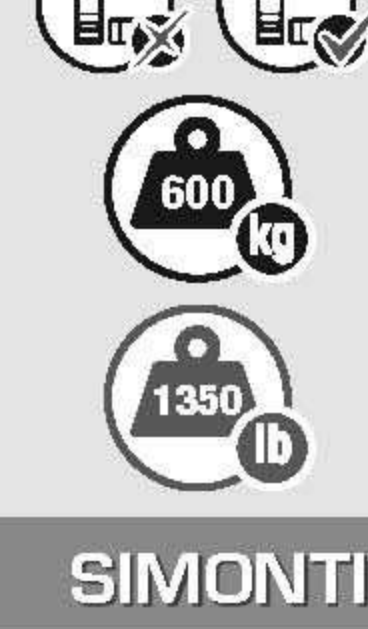
**SIMONOFFICE**



**SIMONHOME**



**SIMONGARDEN**



**SIMONTITÁN**



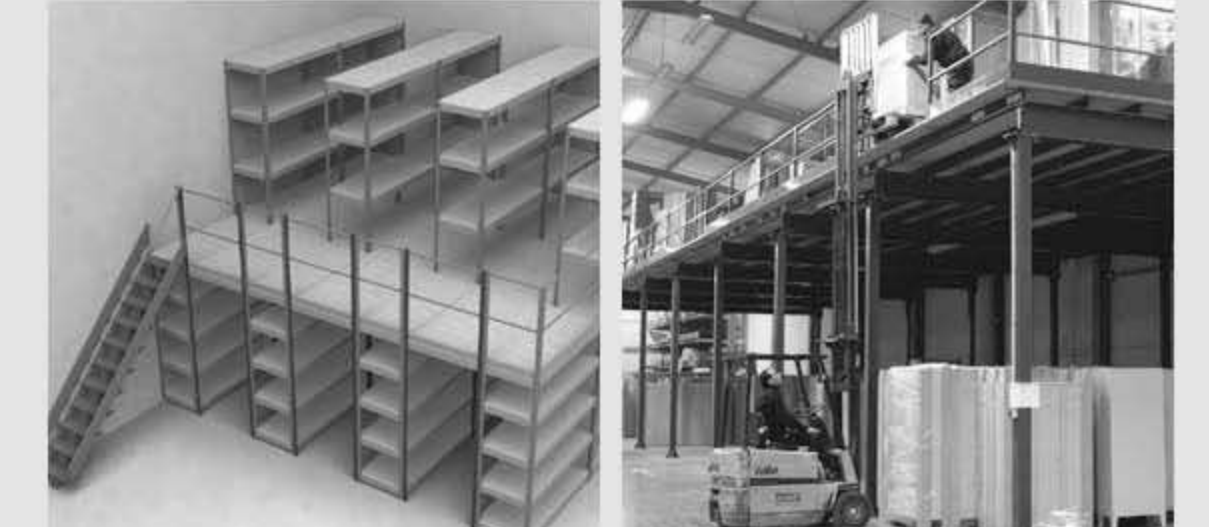
**SIMONINOX**



**SIMONINDUSTRIAL**



ALTILLOS Y PASILLOS ELEVADOS  
PLATFORMS AND MEZZANINES  
LAGERBÜHNEN • PLATES-FORMES ET MEZZANINES



\* Kg / lb por bandeja con carga uniformemente repartida  
Kg / lb per shelf uniformly distributed load  
Kg / lb pro fach bei gleichmäßig verteilter last  
Kg / lb par plateau avec charge uniformément répartie