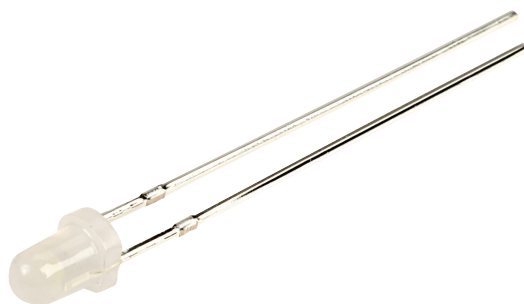


Features:

- White Diffused Type
- 3mm Round Standard Directivity
- Superior weather-resistance
- RoHS Compliant

Applications

- Toys
- Games
- Audio
- Christmas lights



Absolute maximum rating (Ta=25°C)

Item	Symbol	Value	Unit
DC forward current	I_F	30	mA
Pulse forward current*	I_{FP}	100	mA
Reverse voltage	V_R	5	V
Power dissipation	P_D	120	mW
Operating temperature	T_{opr}	-30 to +85	°C
Storage temperature	T_{stg}	-40 to +100	°C
Lead soldering temperature	T_{sol}	260°C/5sec	-

*Pulse width max. 10ms. Duty ratio max. 1/10

Electrical - Optical characteristics (Ta=25°C)

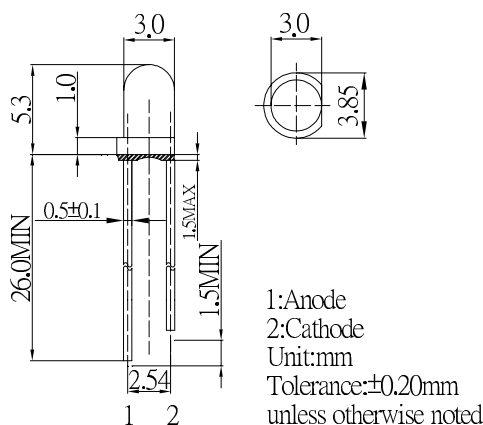
Item	Symbol	Condition	Min.	Typ.	Max.	Unit
DC forward voltage	V_F	$I_F = 20\text{mA}$	2.8	3.3	3.8	V
DC reverse current	I_R	$V_R = 5\text{V}$	-	-	10	μA
Luminous intensity†	I_v	$I_F = 20\text{mA}$	80	120	-	mcd
Chromaticity coordinates*	x	$I_F = 20\text{mA}$	0.26	0.31	0.36	
	y	$I_F = 20\text{mA}$	0.24	0.30	0.34	
50% Power angle	$2\theta_{1/2}$	$I_F = 20\text{mA}$	-	60	-	deg

*1 Tolerance of measurements of chromaticity coordinates is +10%

*2 Tolerance of measurements of luminous intensity is +15%

*3 Tolerance of measurements of forward voltage is +0.1V

Outline dimensions:



Directivity:

