



002

PCB TERMINAL
BLOCKS

081

TERMINAL STRIPS

095

WIRE TO BOARD
CONNECTORS

100

CIRCULAR
CONNECTORS

151


IP68 CONNECTORS

158

INTERFACE
MODULES AND
RELAY BASES

7.62mm pitch high power rising clamp terminal blocks

Product overview

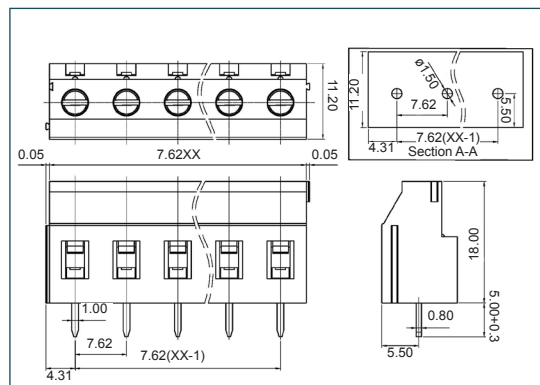
- 2 and 3 pole double interlocking mechanism for increased strength
- 4-12 pole pre-assembled
- Moulded in green UL94-V0 flame retardant PA
- Cable acceptance - 0.13-3.31mm² (26-12AWG)
- Professional rising clamp terminals
- Guided pin alignment
- Captive screws
-  us approved

CTBP07VL



SPECIFICATION	
Rating	20A / 300V
Withstand voltage	AC1600V / 1min
Working temperature	-40°C to +105°C
Moulding	UL94-V0 flame retardant PA66
Pin/terminal	Tinned, nickel plated brass
Rising clamp	Tinned, nickel plated brass
Screw/torque	M3 steel, zinc plated / 0.5Nm
Recommended PCB hole size	Ø1.5mm

PART NO.	POLES	LENGTH
CTBP07VL/2	2	15.24mm
CTBP07VL/3	3	22.86mm
CTBP07VL/4	4	30.48mm
CTBP07VL/5	5	38.1mm
CTBP07VL/6	6	45.72mm
CTBP07VL/7	7	53.34mm
CTBP07VL/8	8	60.96mm
CTBP07VL/9	9	68.58mm
CTBP07VL/10	10	76.2mm
CTBP07VL/11	11	83.82mm
CTBP07VL/12	12	91.44mm



KEY FEATURES

High power | Double interlock mechanism | Rising clamp terminals

