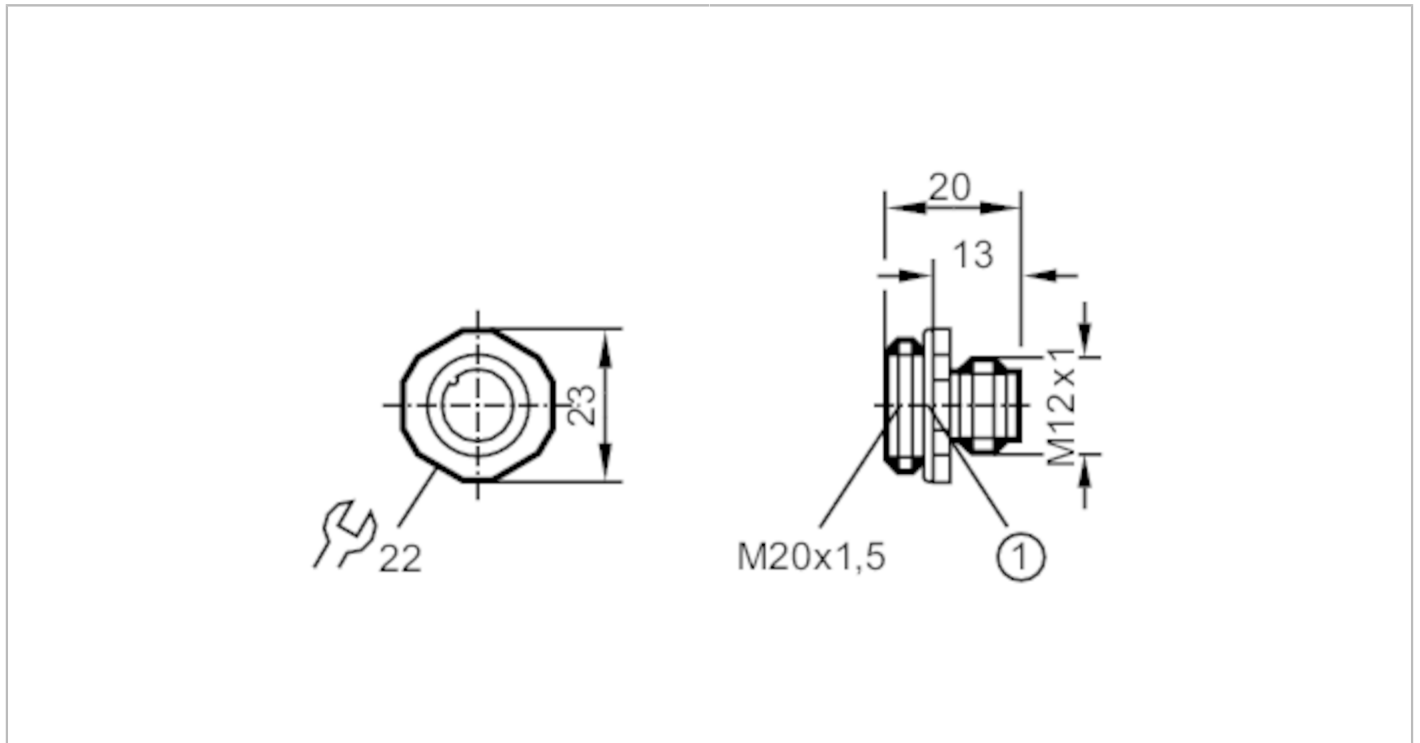


E11293



Adapter plug

ESTGH040MSS0,05E04 (M20)



Electrical data

Operating voltage	[M]	< 250 AC/DC
-------------------	-----	-------------

Operating conditions

Ambient temperature	[°C]	-25...85
Protection		IP 68

Mechanical data

Weight	[g]	18.3
Mounting thread		M20
Materials		brass nickel-plated

Remarks

Pack quantity		1 pcs.
---------------	--	--------

Electrical connection

Cable: 0.05 m, PVC; 4 x 0.25 mm²

Electrical connection - plug

Connector: 1 x M12, straight; Moulded body: brass, nickel-plated



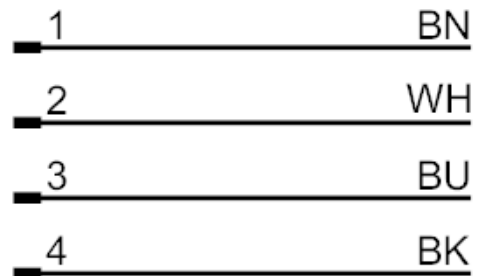
E11293



Adapter plug

ESTGH040MSS0,05E04 (M20)

Connection



Core colours :

BK = black
BN = brown
BU = blue
WH = white